

Rear Skirt - F Sport INSTALLATION INSTRUCTIONS UX

Model year 2018/11

Vehicle code MZA*1**-AWXBBW

Part number 08158-76850

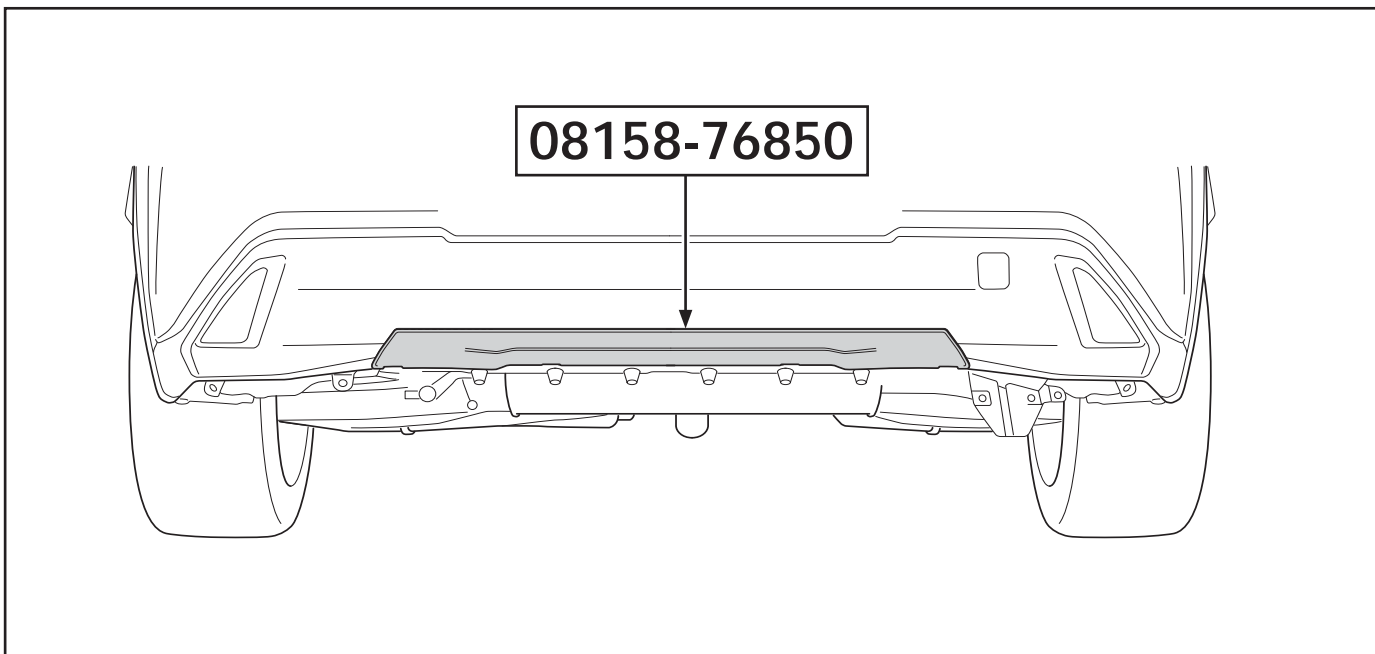
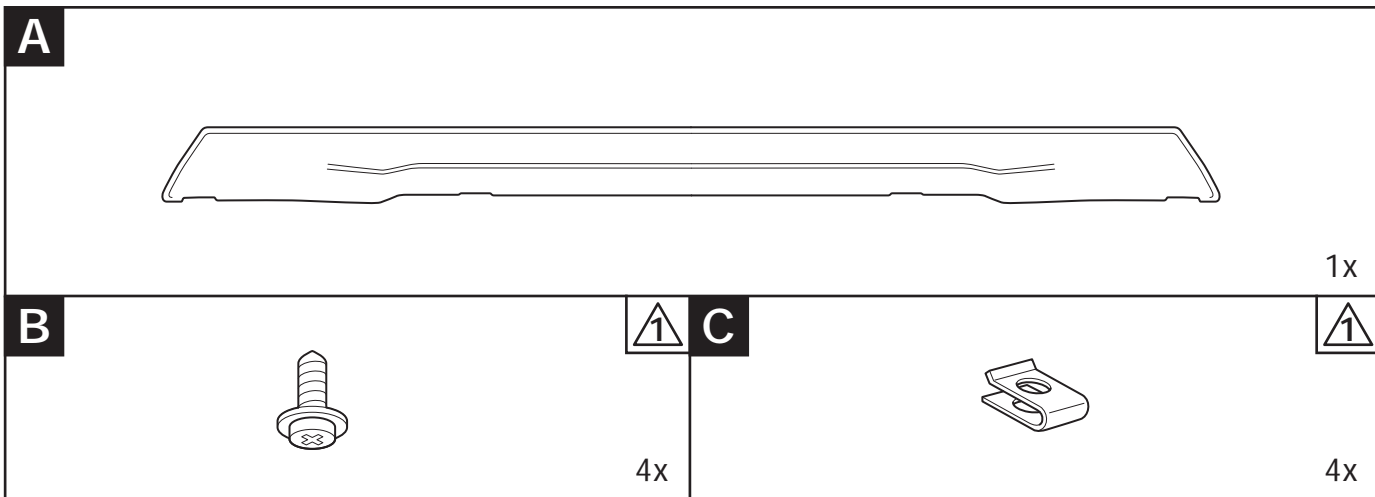
PZ415-00000-00

Rear Skirt ,F' Sport

Adhesion Promoter (1x)

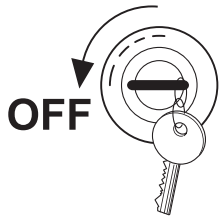
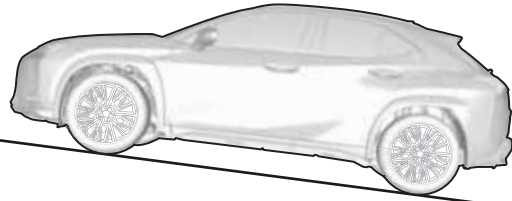
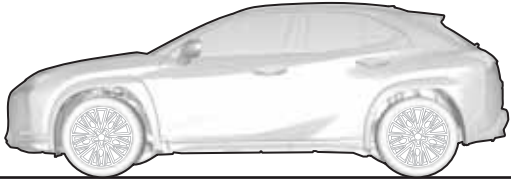
Revision Record

Rev. No.	Date	Page	Step	Remarks
①	18.02.19	3		Kit content updated
①	18.02.19	5	1	Step deleted
①	18.02.19	6	2-3	Clips removed
①	18.02.19	6-8	3-7	New steps



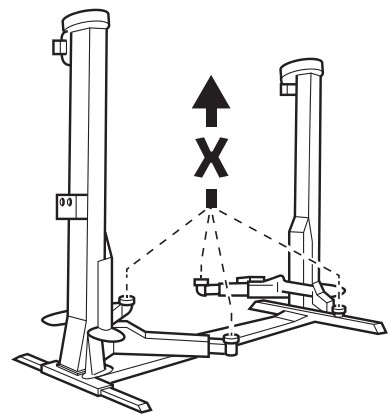
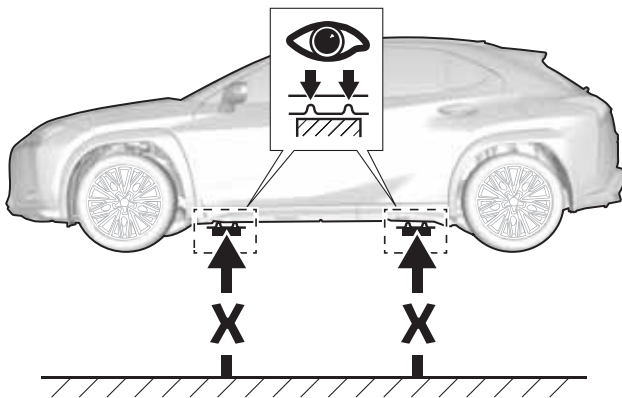
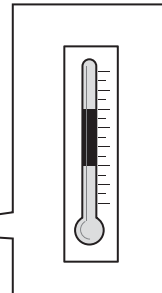
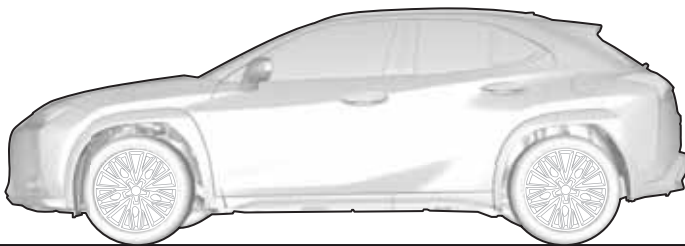
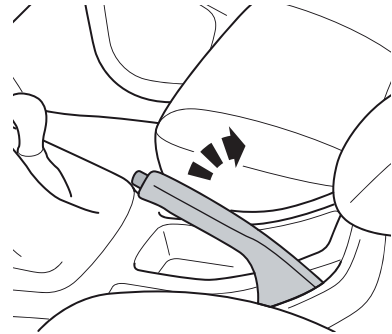
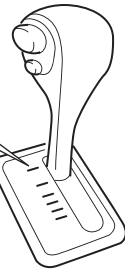
<p>CLEANER / DEGREASER</p> <p>AIM 003-517-*</p>	<p>Adhesion promoter PZ415-00000-00</p>			<p>1</p>
			<p>? °C</p>	<p>+ °C</p>
<p>10 mm</p> <p>Ø 3 mm</p> <p>Ø 8 mm</p>		<p>Ø 10 mm</p>		

INFO



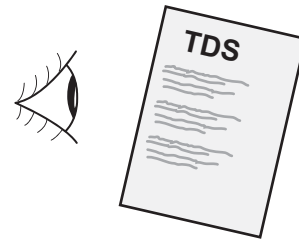
Parking

P



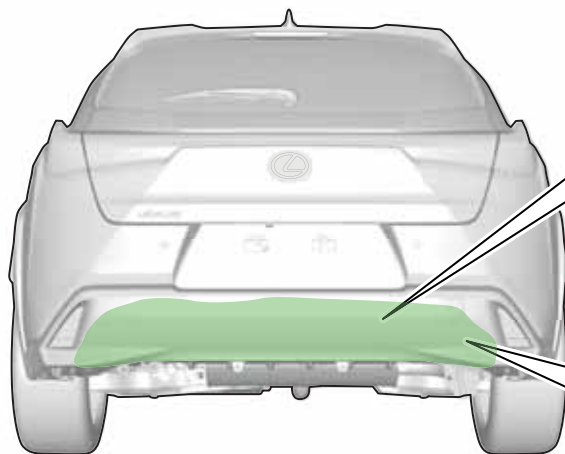
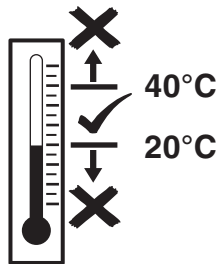
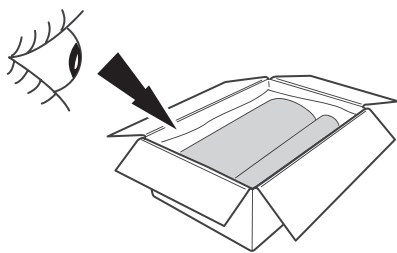
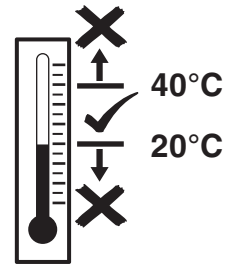


Material **S**afety **D**ata **S**heet



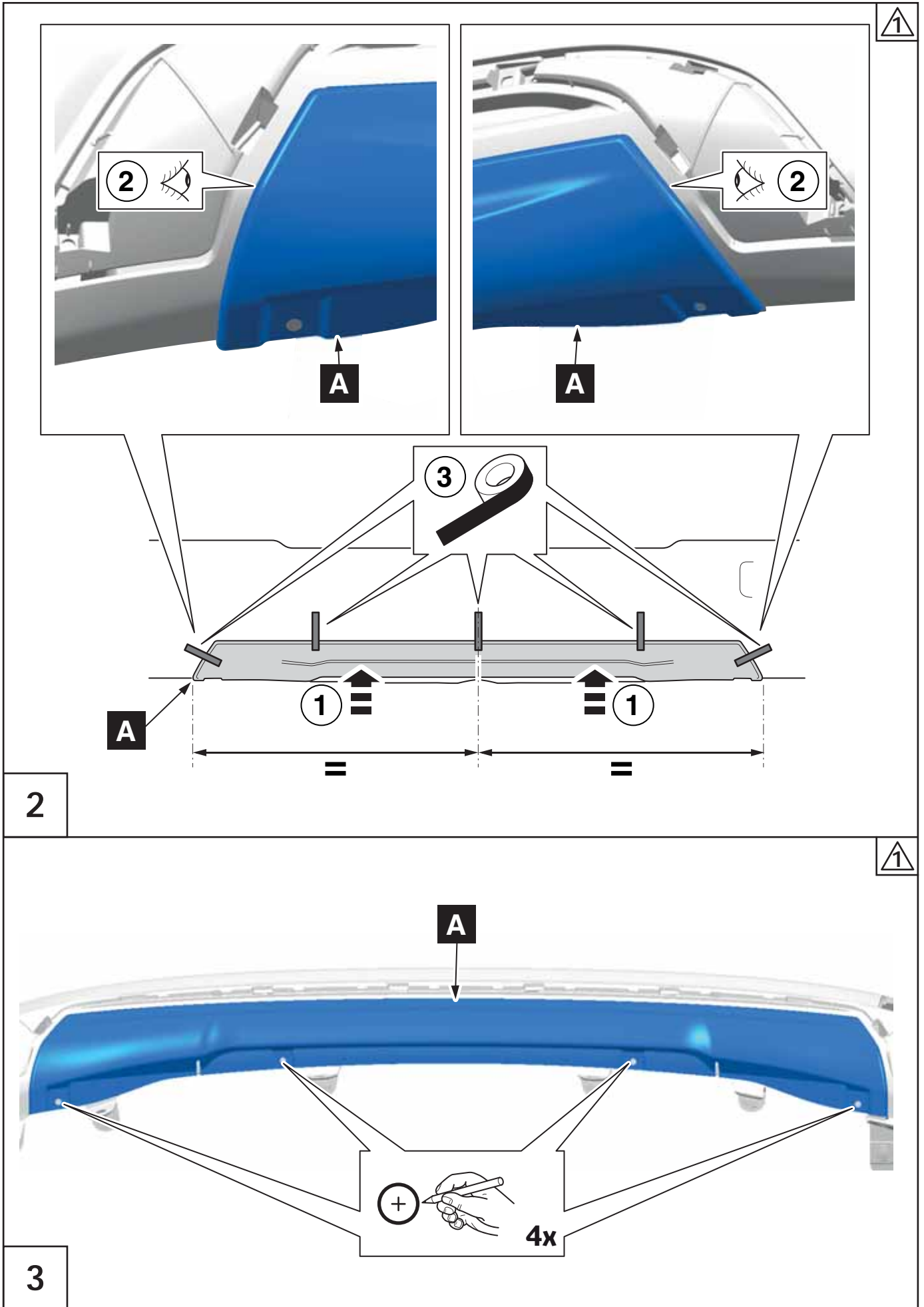
Technical **D**ata **S**heet

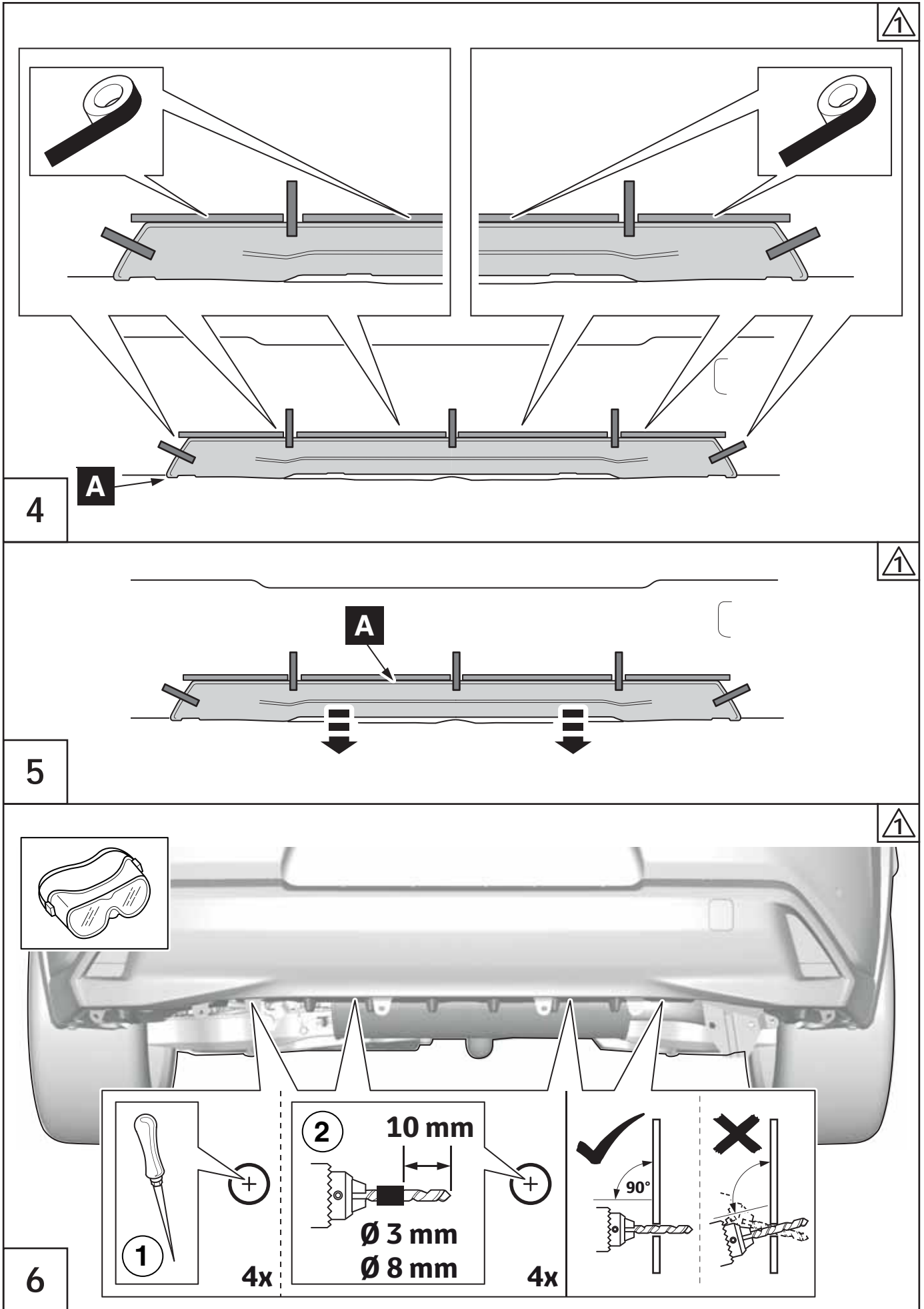
INFO

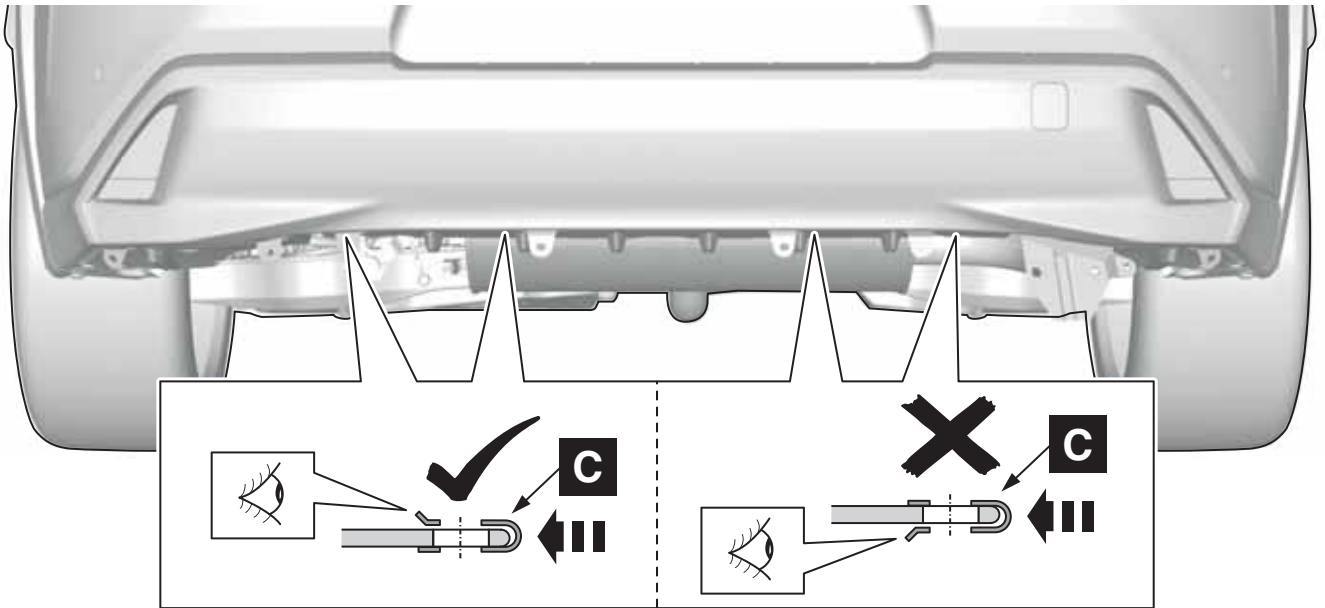


- 1
- 2
-

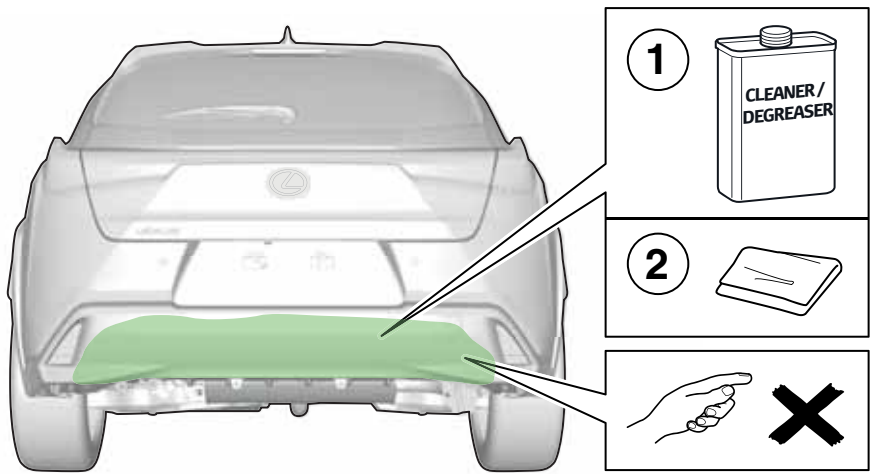
1



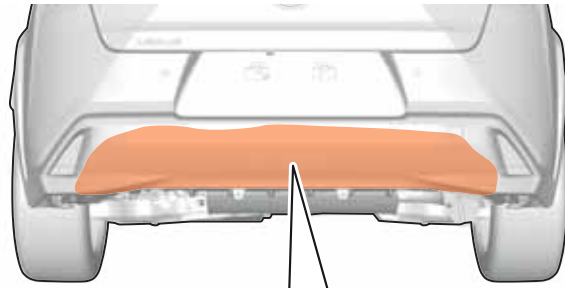



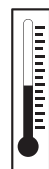
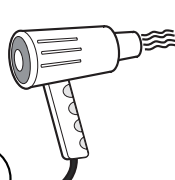
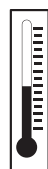
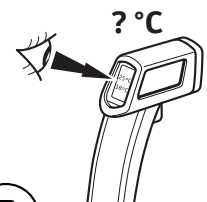






7



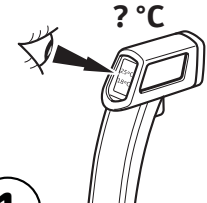
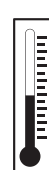
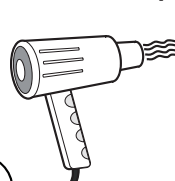
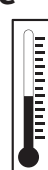
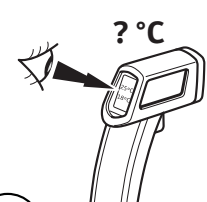
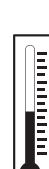



8



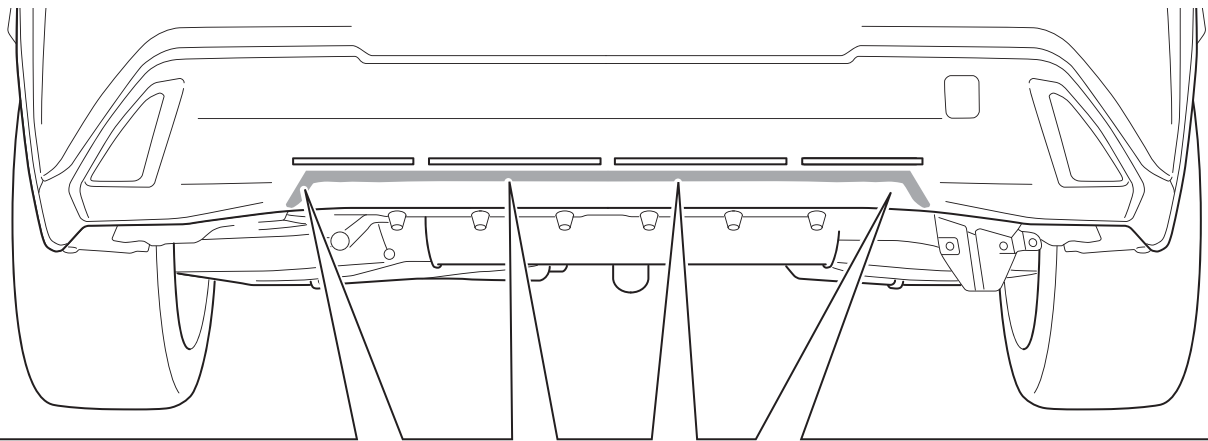
<p>①  ? °C </p>	<p>< 20°C → ② 20°C - 40°C → 10</p>	<p>②  + °C </p>
<p>③  ? °C </p>	<p>20°C - 40°C → 10</p>	<p>INFO  9 → 15  ✓  ✗</p>

9



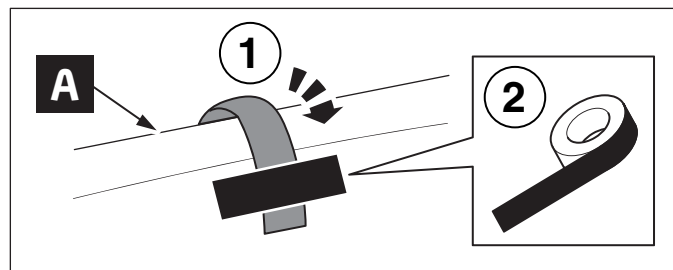
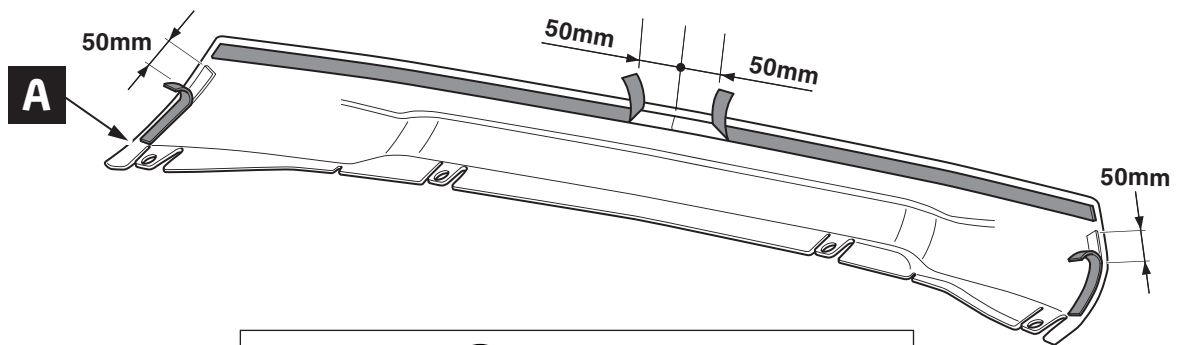
<p>①  ? °C </p>	<p>< 20°C → ② 20°C - 40°C → 11</p>	<p>②  + °C </p>
<p>③  ? °C </p>	<p>20°C - 40°C → 11</p>	<p>INFO  10 → 15  ✓  ✗</p>

10

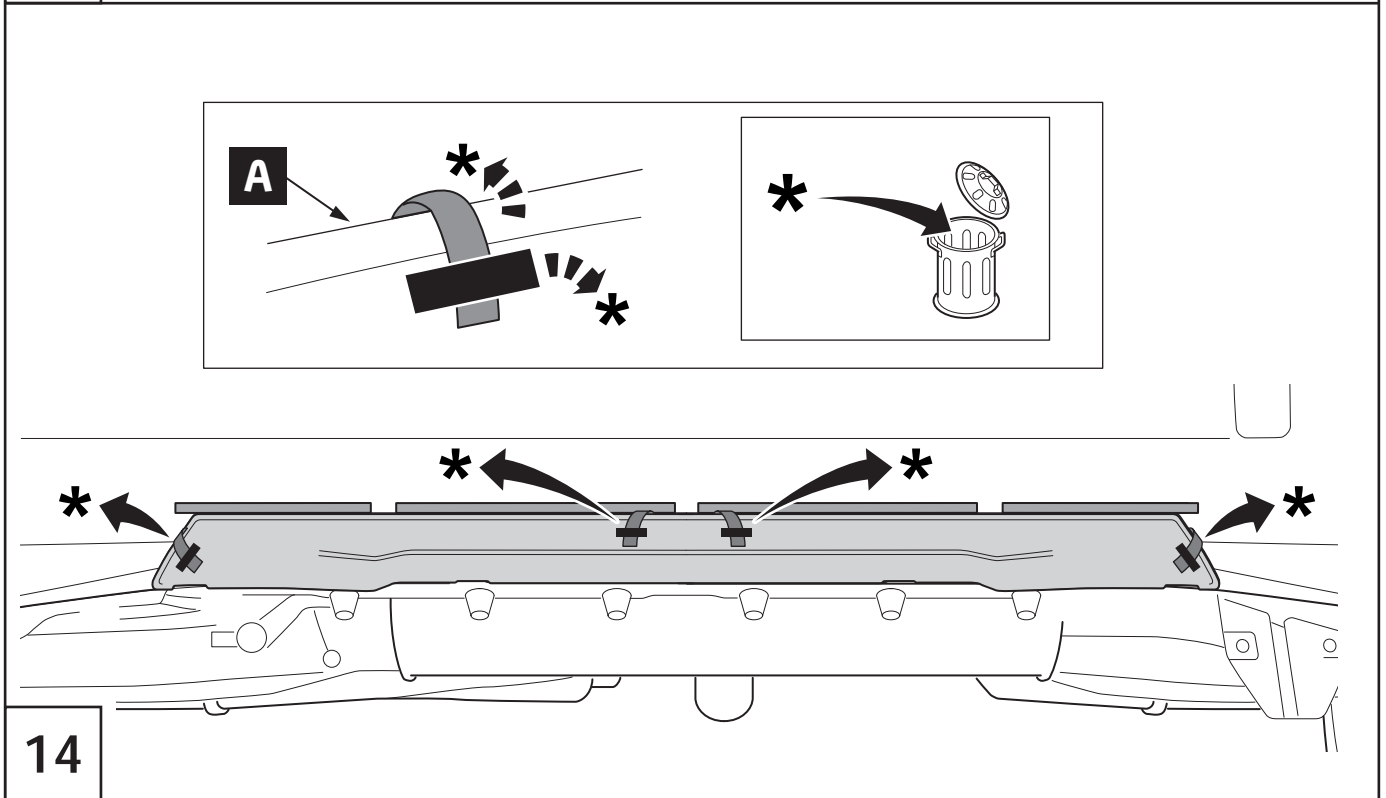
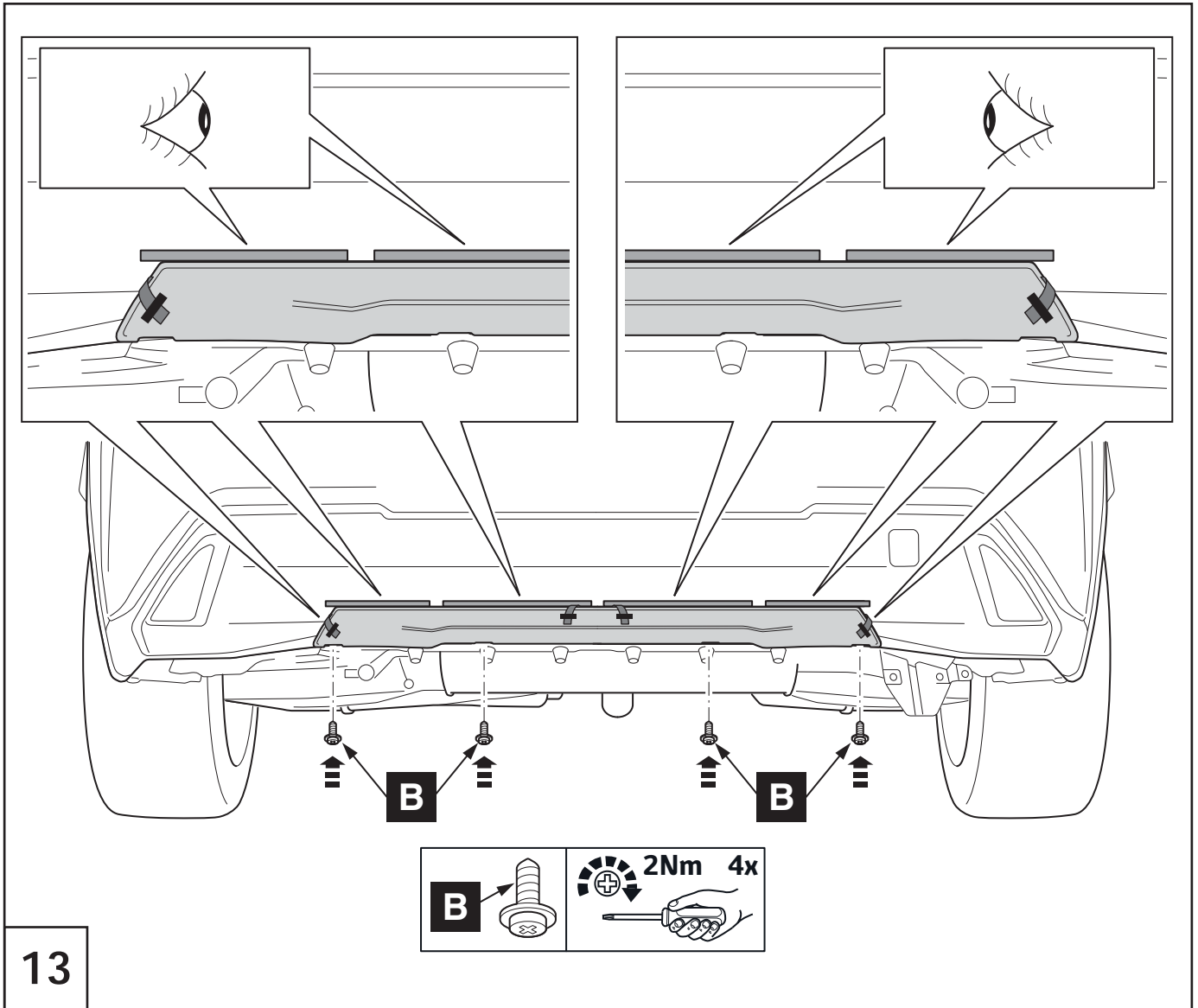


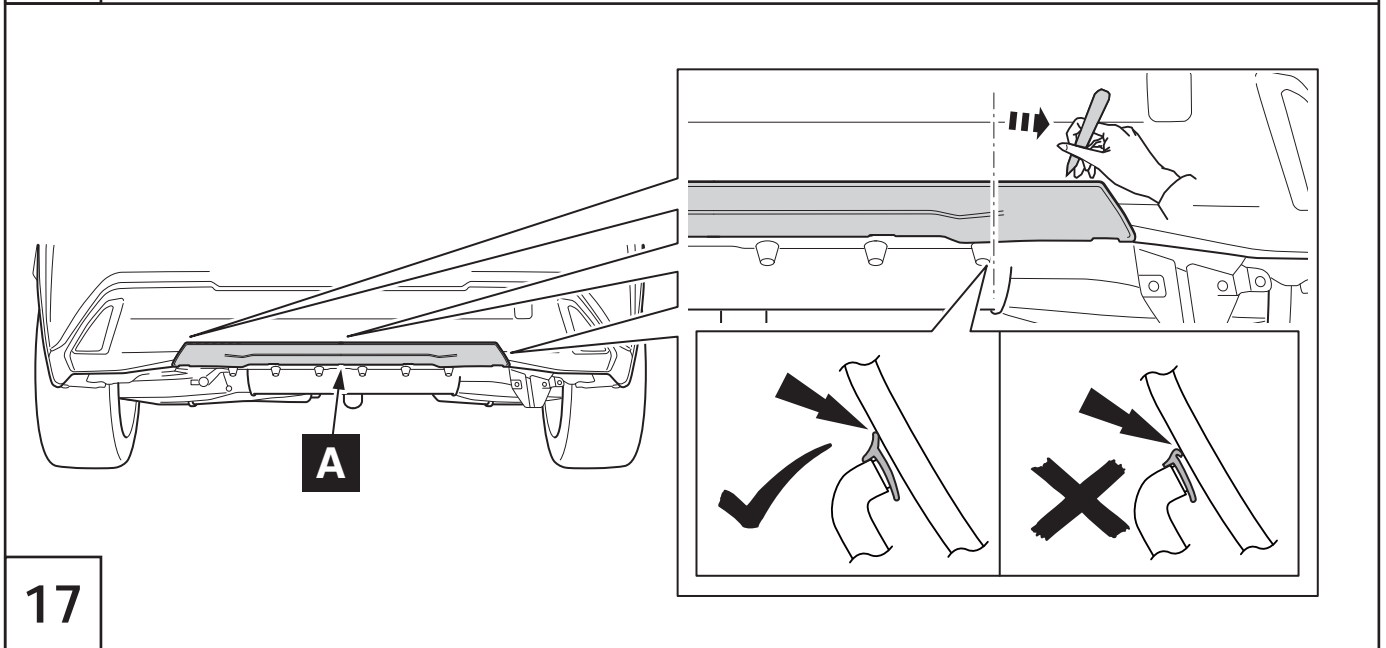
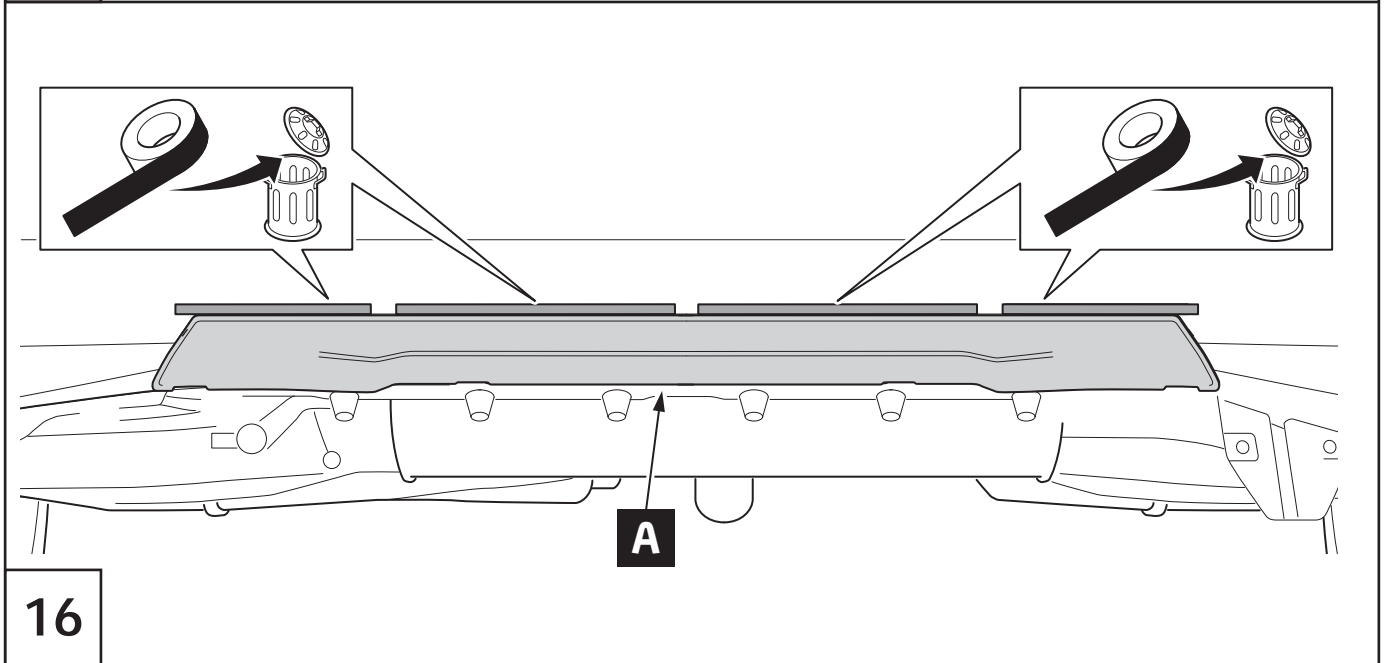
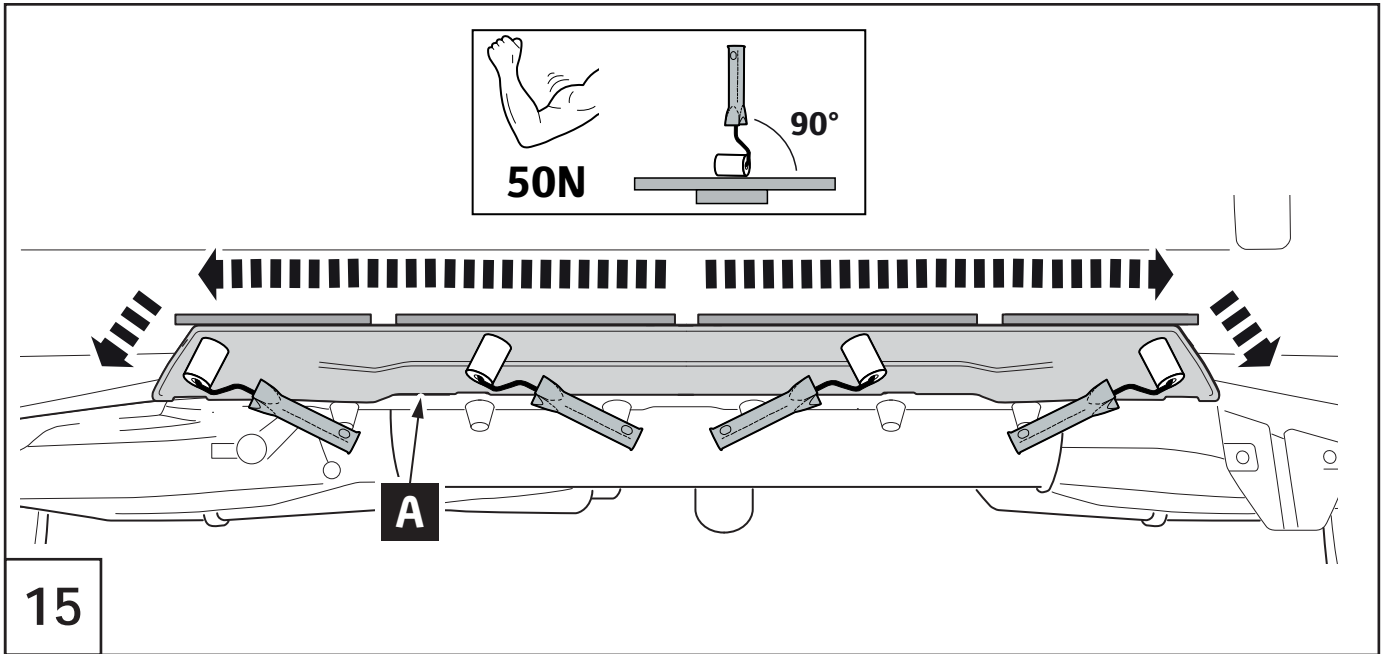
<p>1</p> <p>adhesion promoter</p>	<p>2</p> <p>45 Sec. < 1h.</p>	<p>1</p> <p>adhesion promoter</p>	<p>2</p> <p>45 Sec. < 1h.</p>

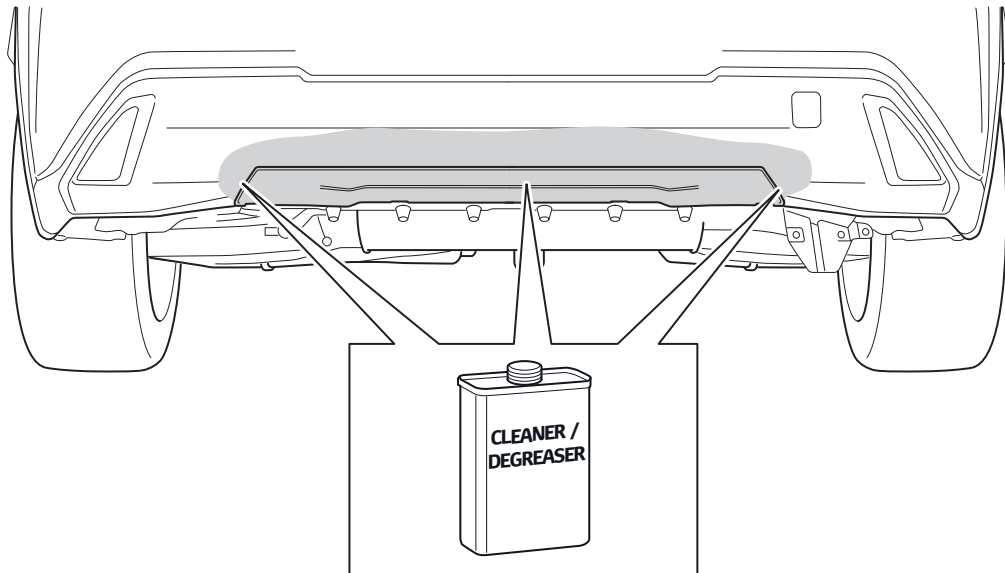
11



12



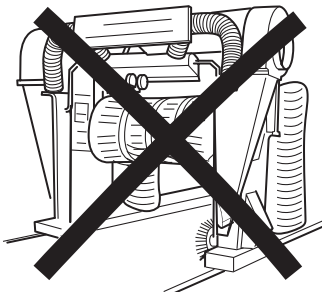




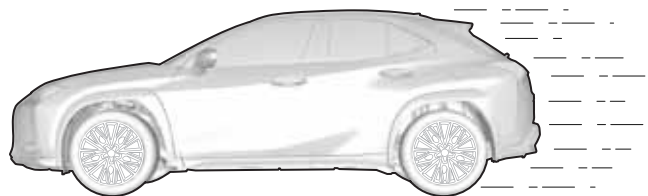
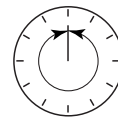
18

INFO

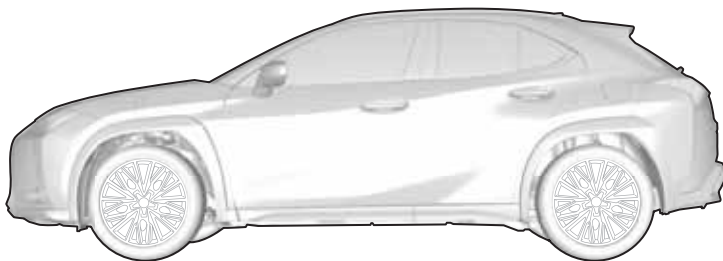
24 h



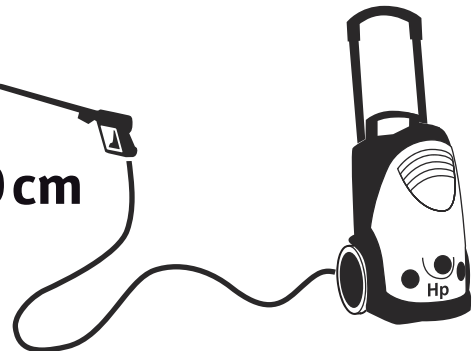
24 h



Max. 90 Km/h



> 50 cm





CHECK SHEET

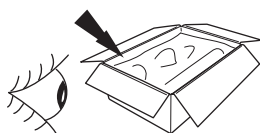


Model / Year Lexus UX
2018/11

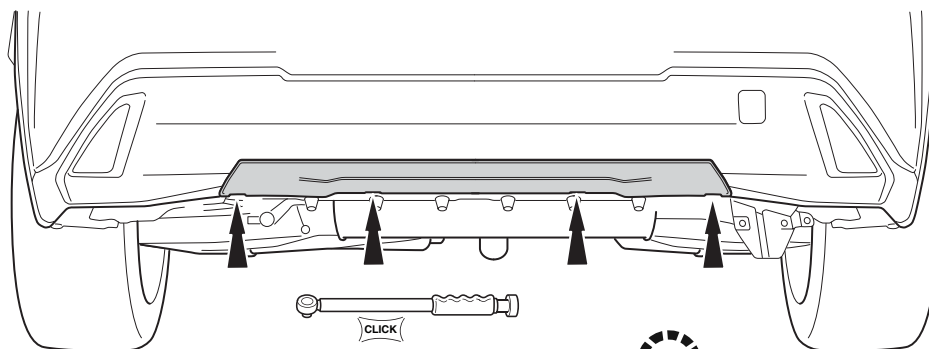
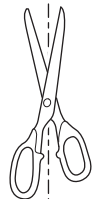
Rear Skirt Sport

VIN n°

DURING INSTALLATION

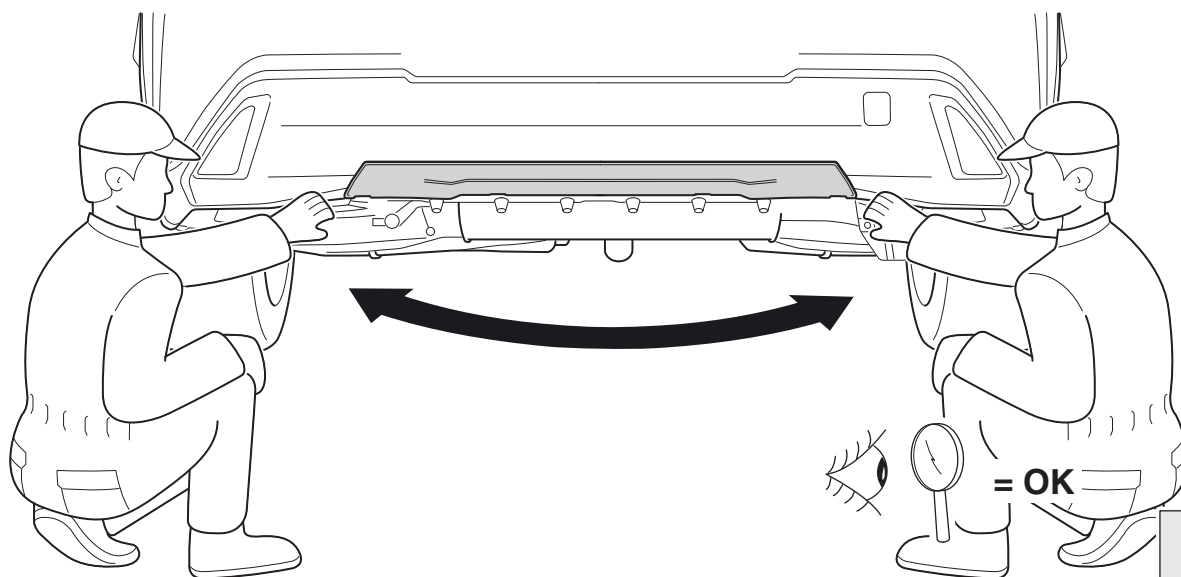


AFTER INSTALLATION



1

4x 2 Nm



2

Installation Date:

. . / . . /

Technician Name & Signature:

Stamp:

