

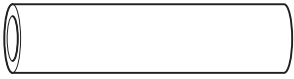


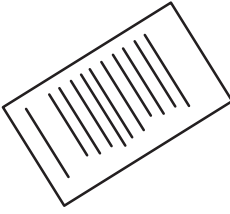
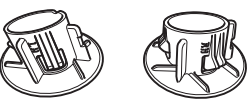
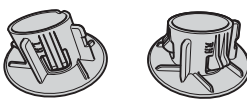
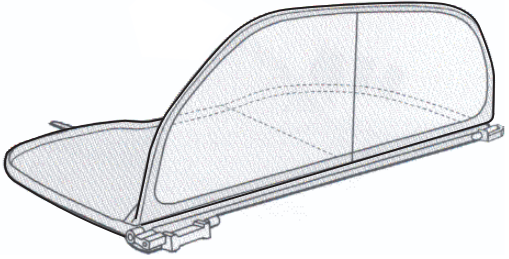
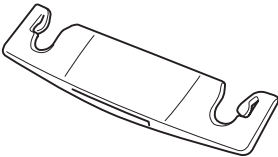
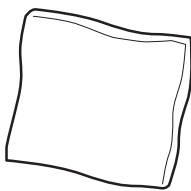
WIND SCREEN INSTALLATION INSTRUCTIONS IS 250/350 Convertible


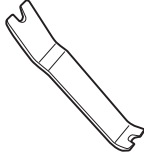
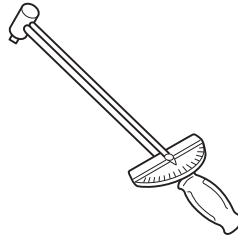
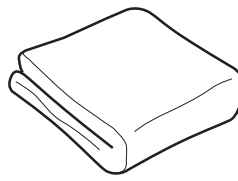
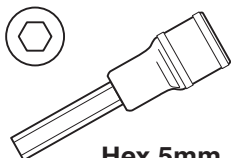
Model year 2010
Vehicle code GSE20*-AK*LHW
Part number PT933-53100

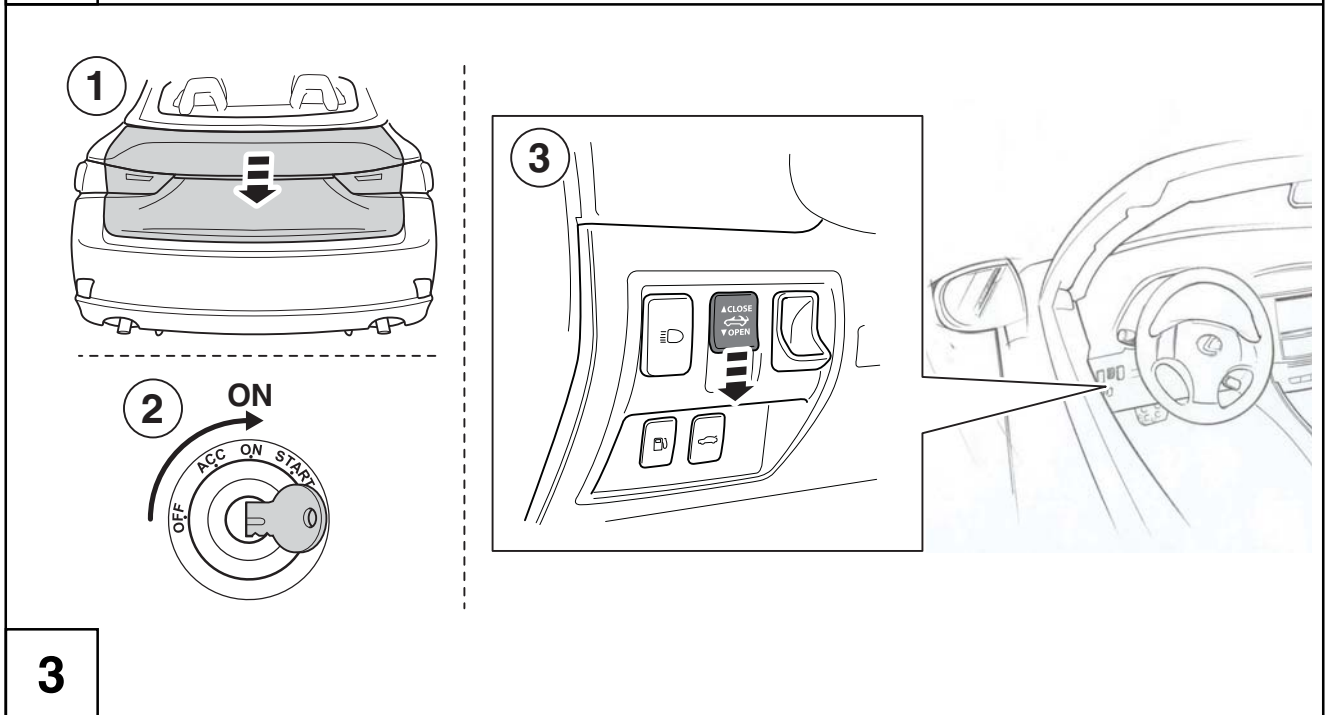
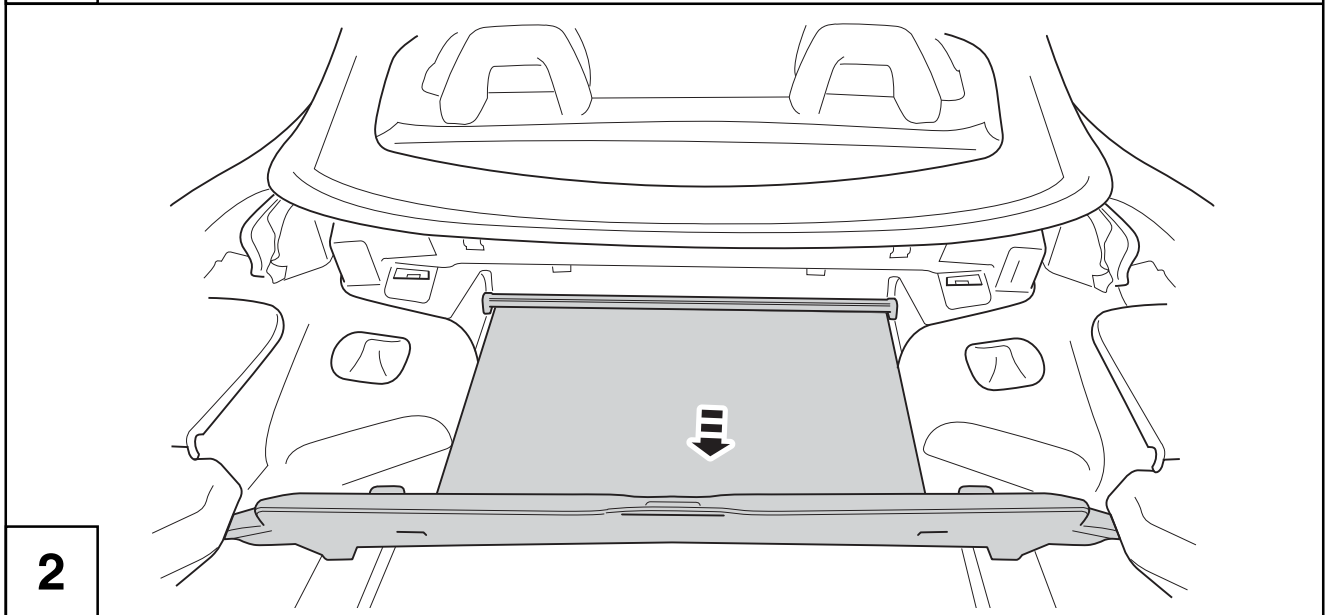
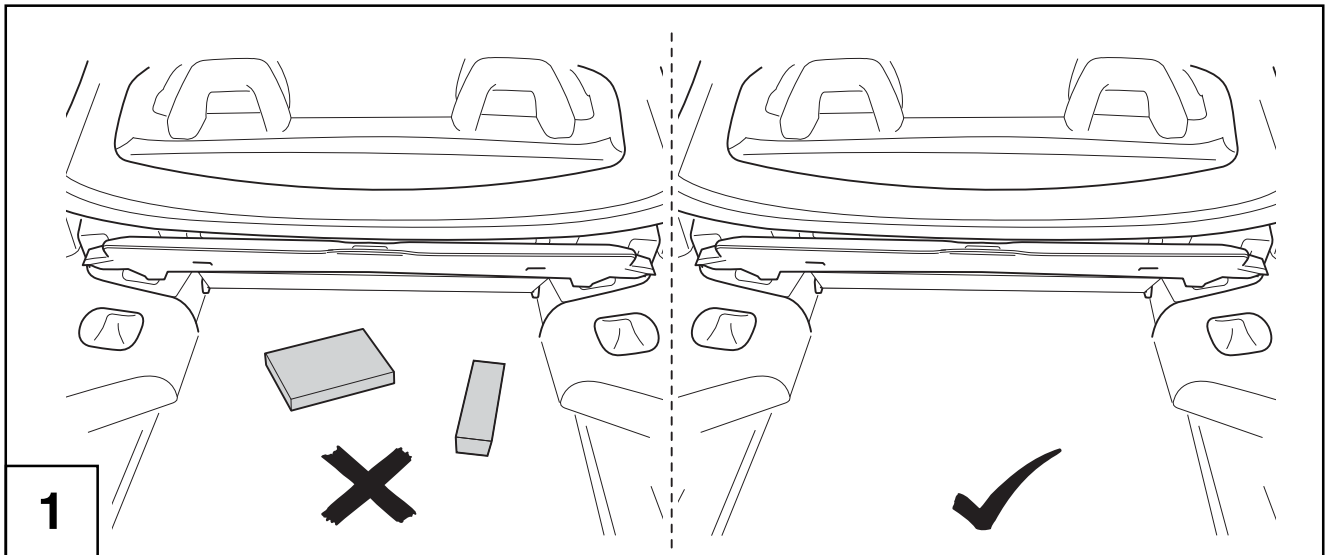
Revision Record

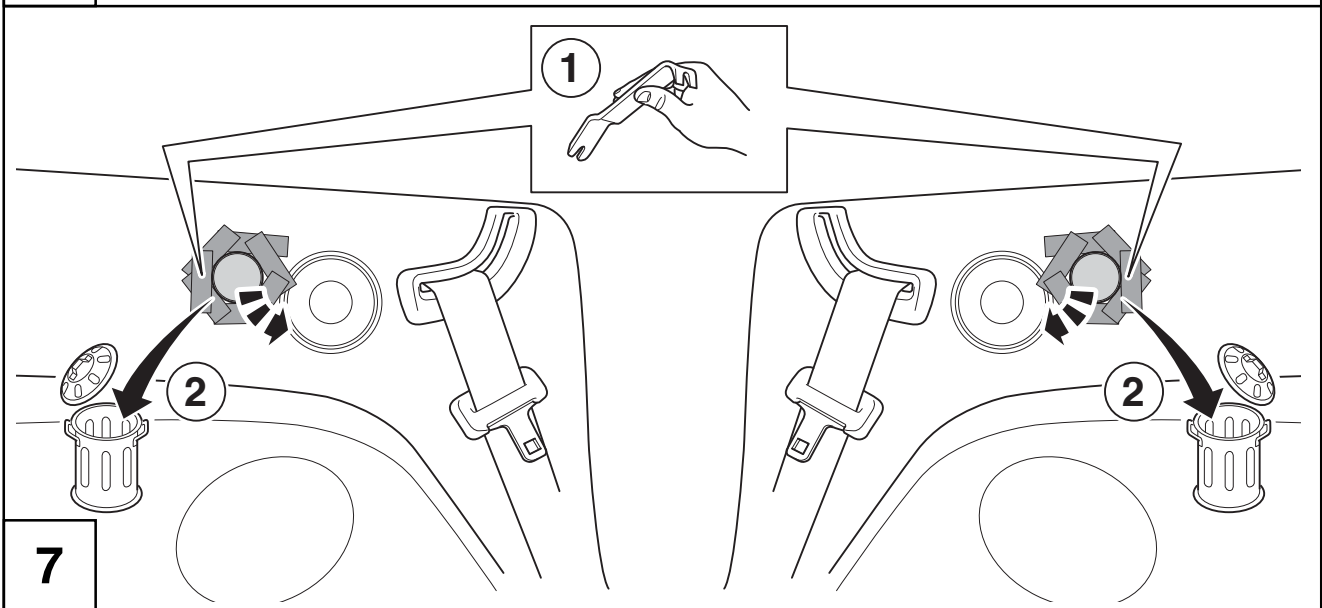
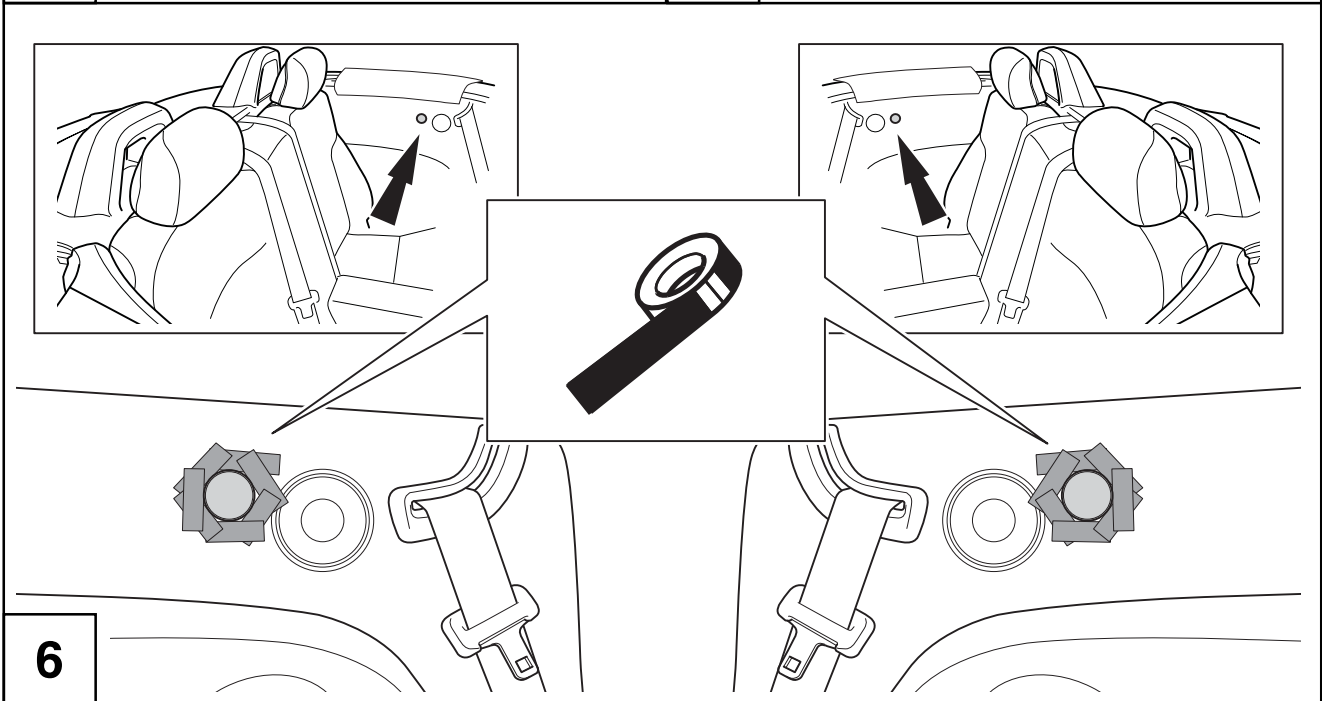
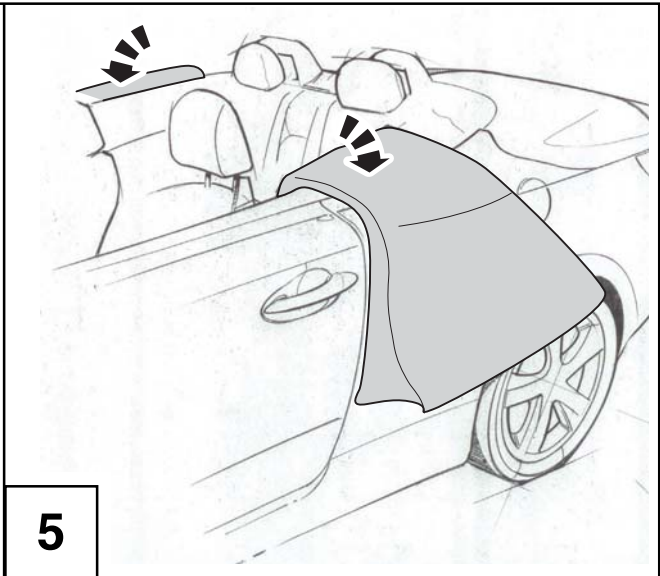
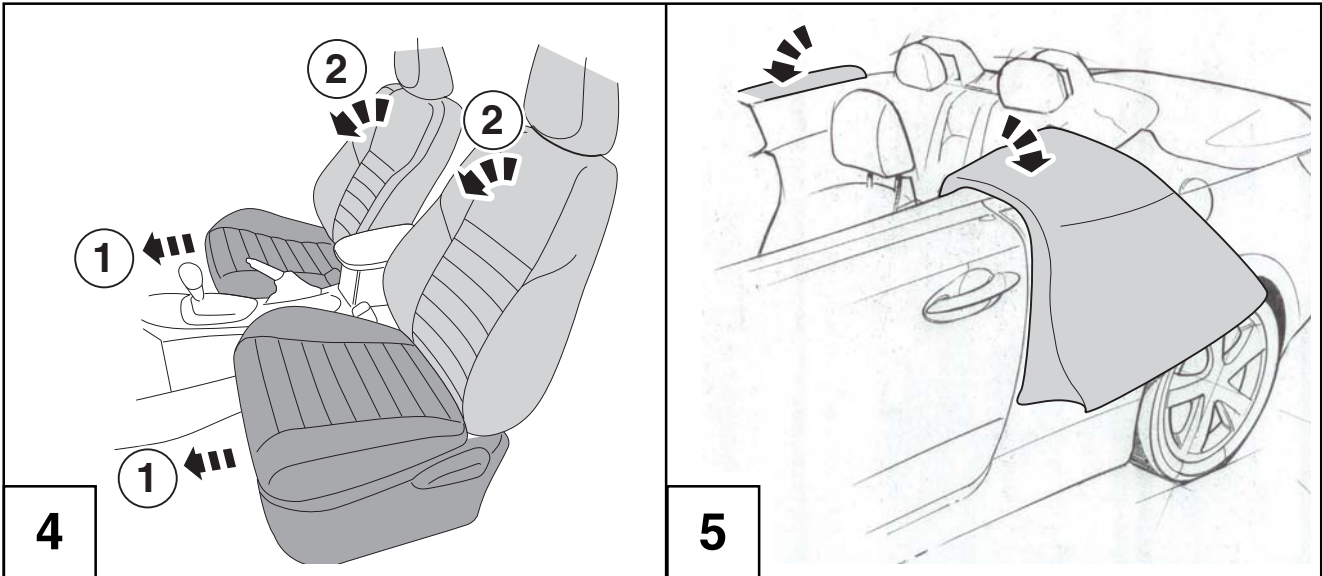
Rev. No.	Date	Page	Picture	Update	New	Deleted

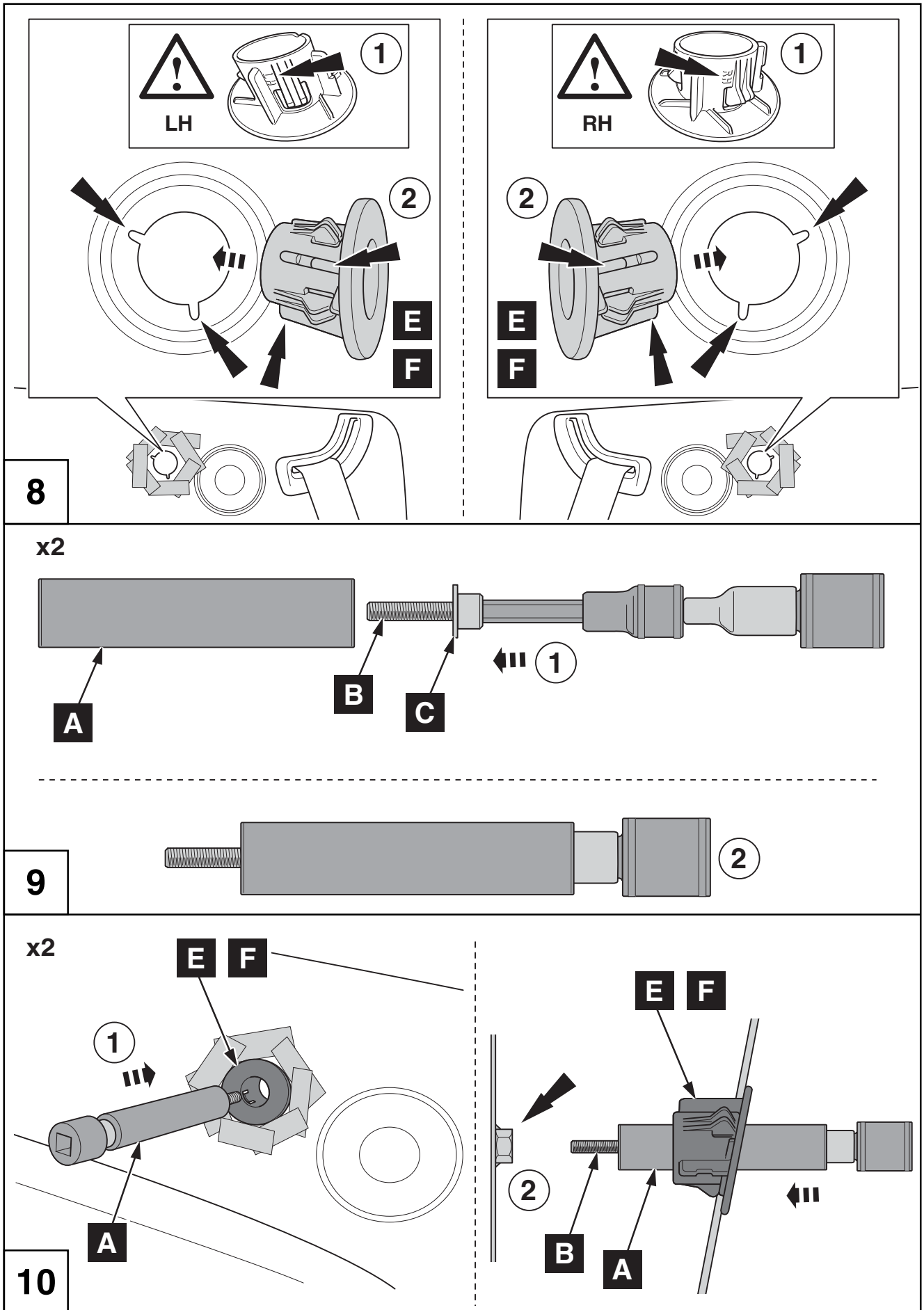
PT933-53100

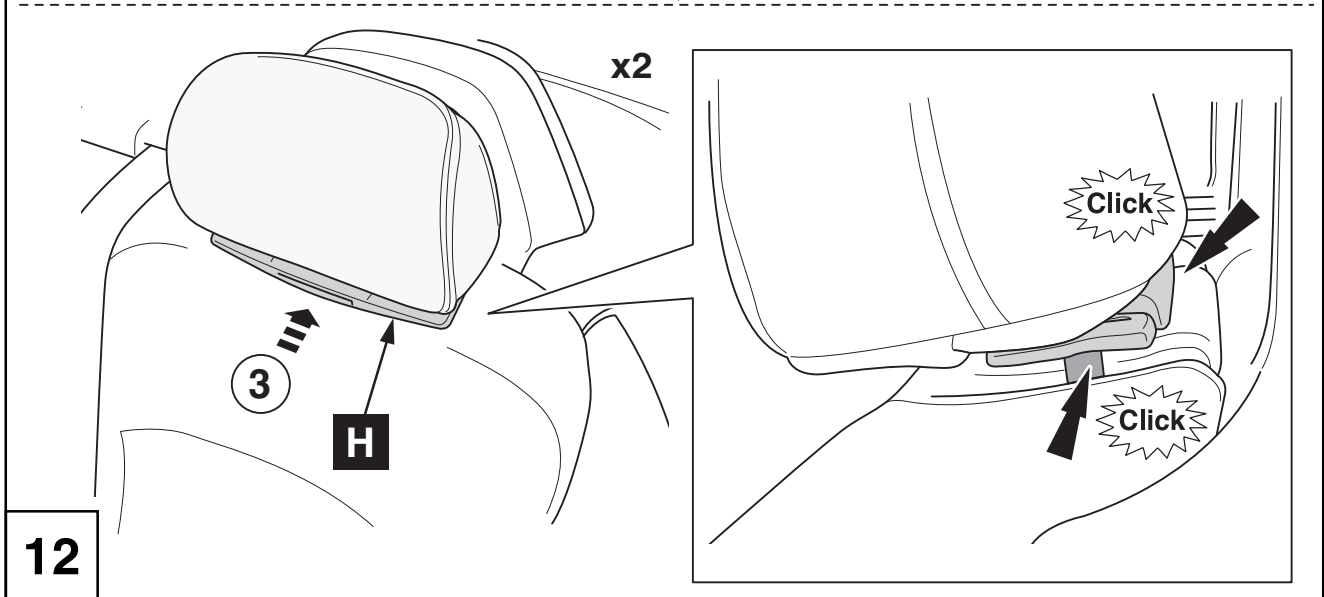
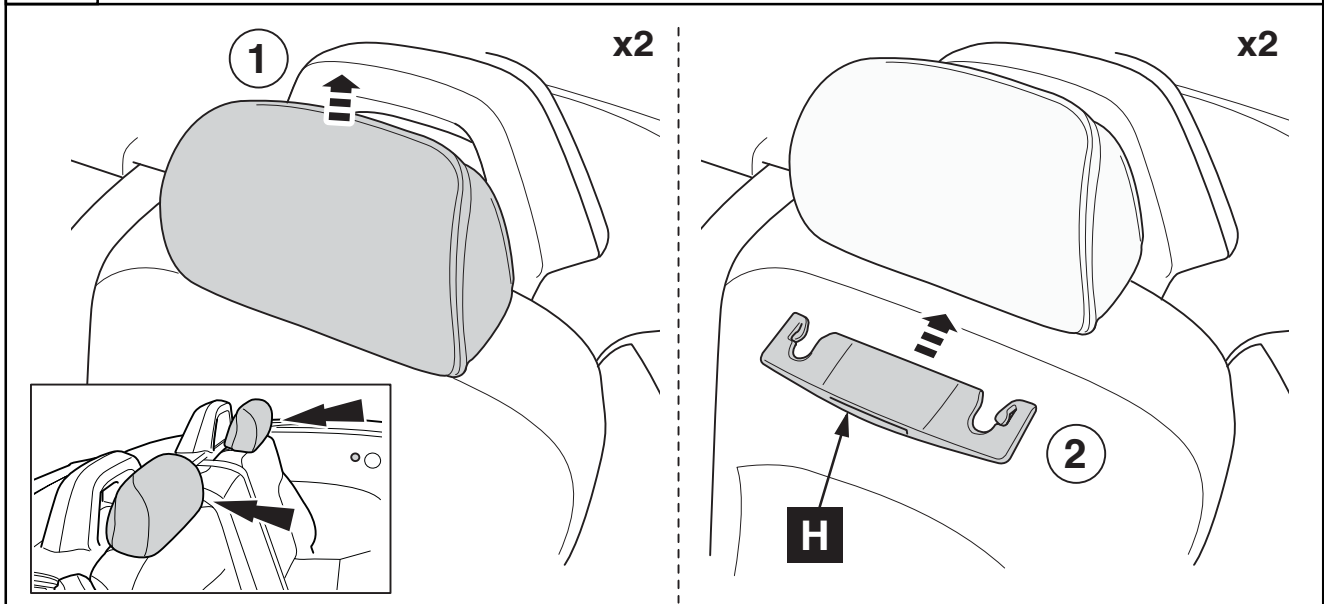
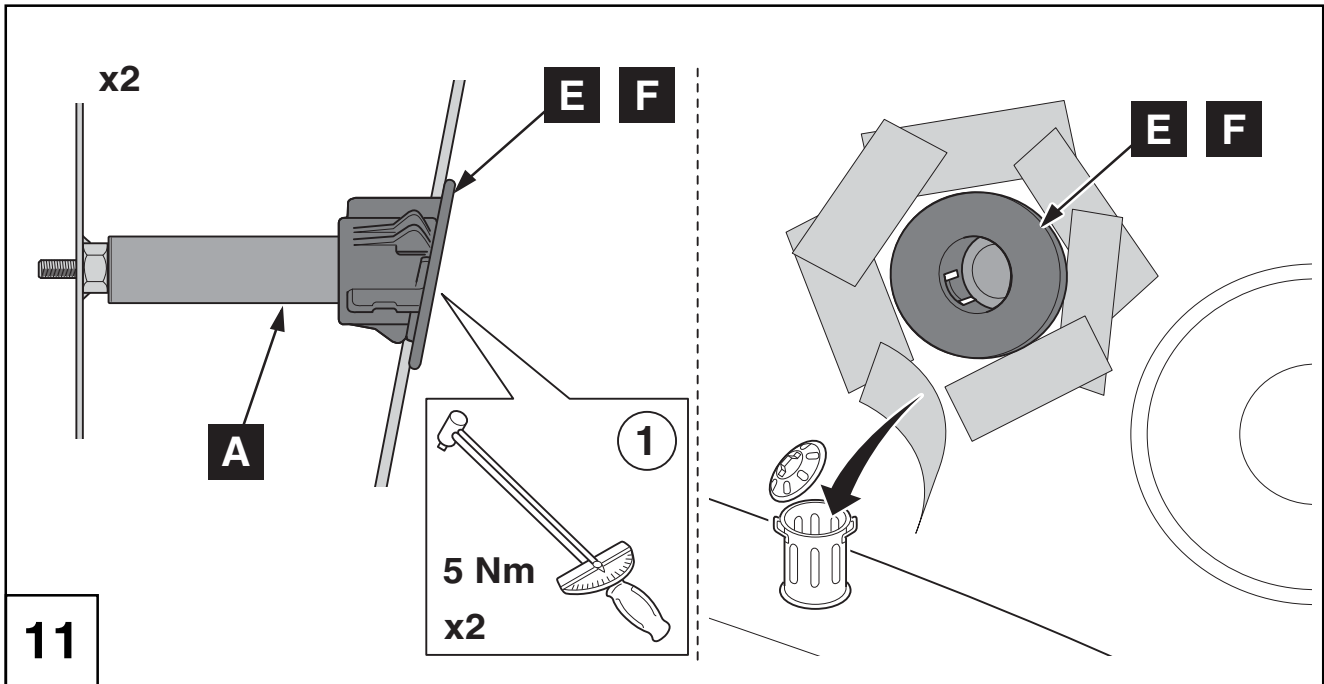
<p>A</p>  <p>2x</p>	<p>B</p>  <p>2x</p>	<p>C</p>  <p>2x</p>	<p>D</p>  <p>2x</p>
<p>E</p>  <p>1x</p>	<p>F</p>  <p>1x</p>	<p>G</p>  <p>1x</p>	
<p>H</p>  <p>2x</p>	<p>J</p>  <p>2x</p>		

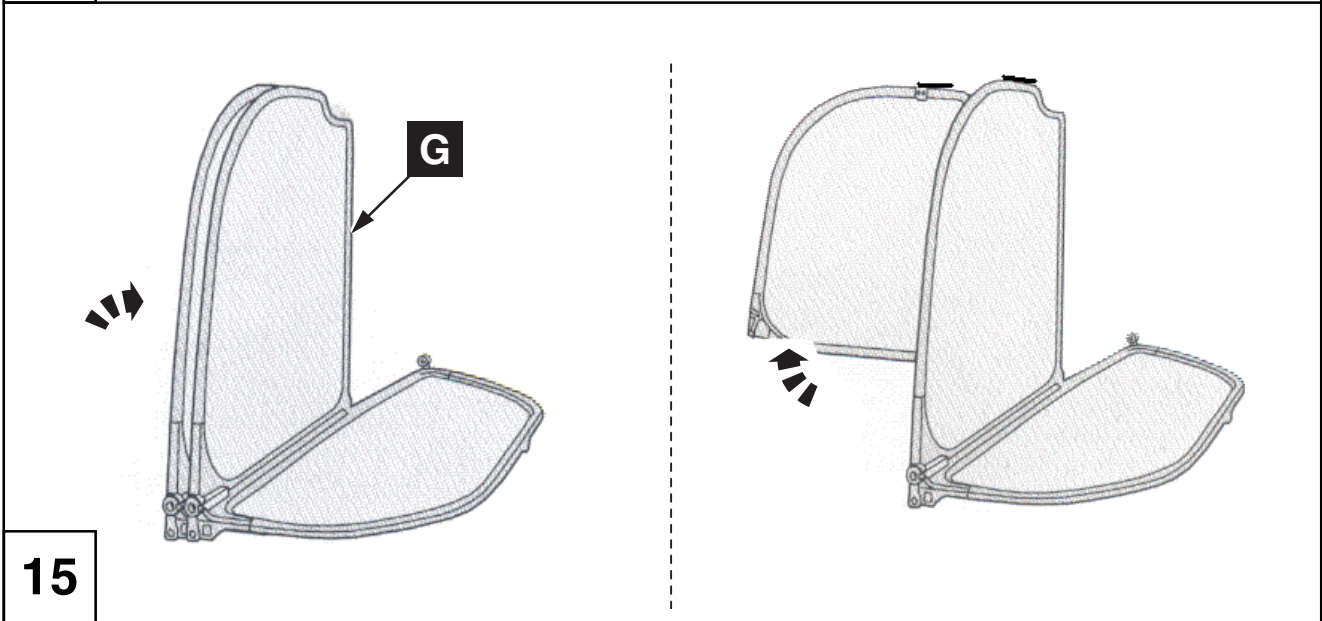
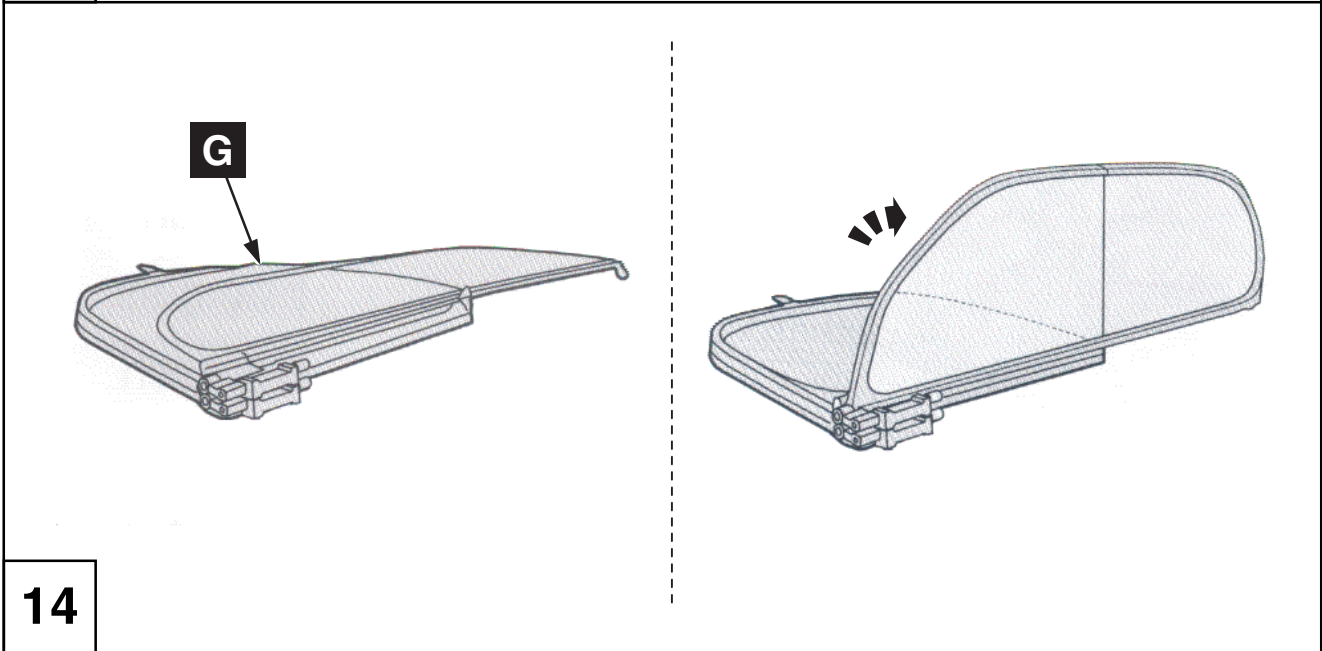
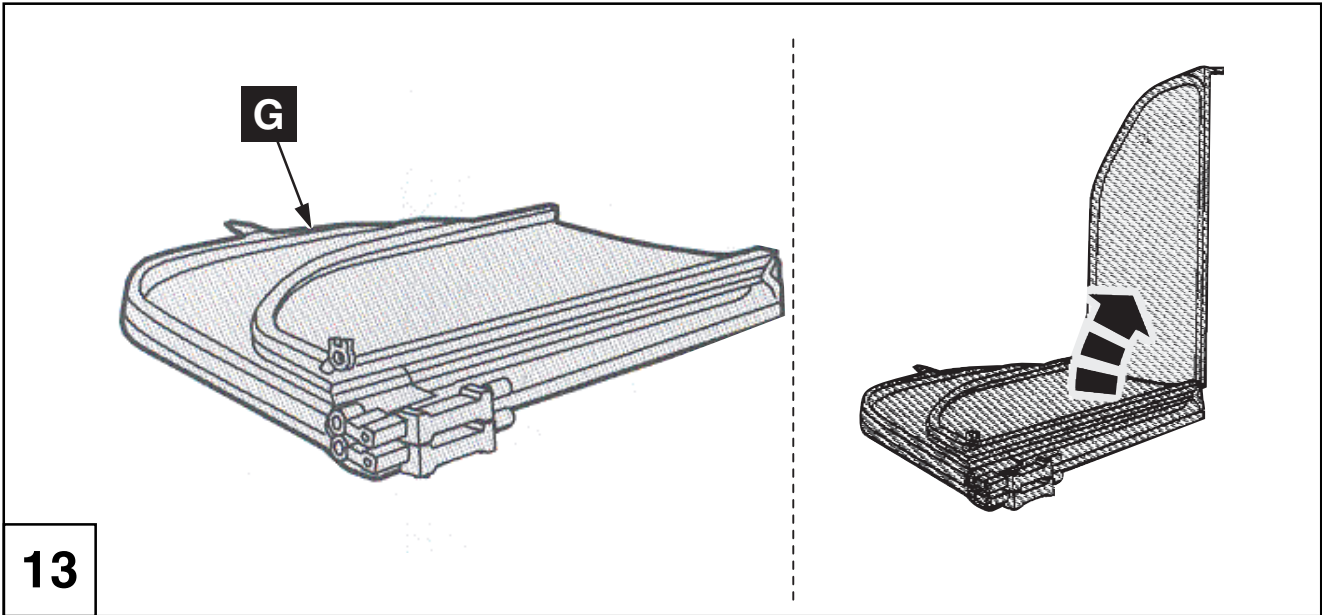
			
 <p>Hex 5mm</p>			

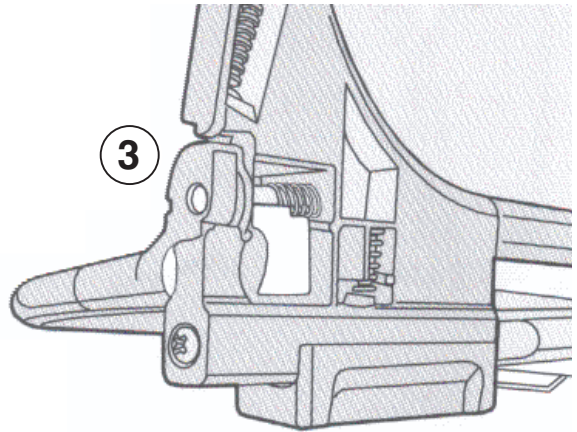
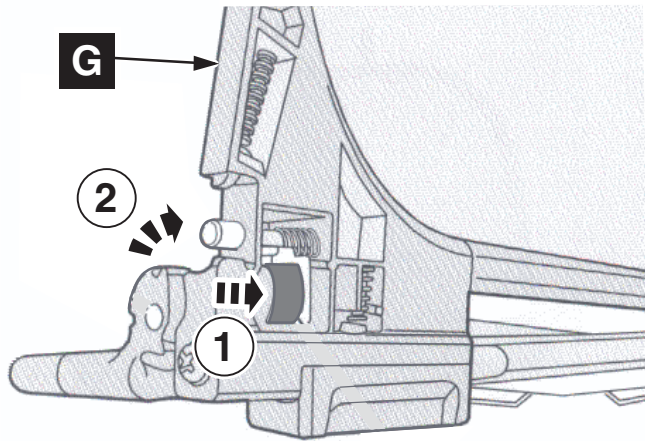




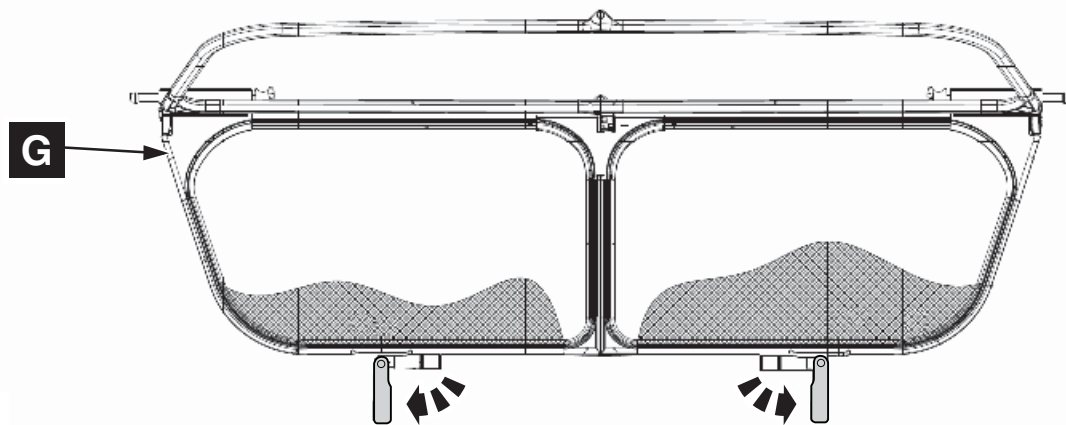




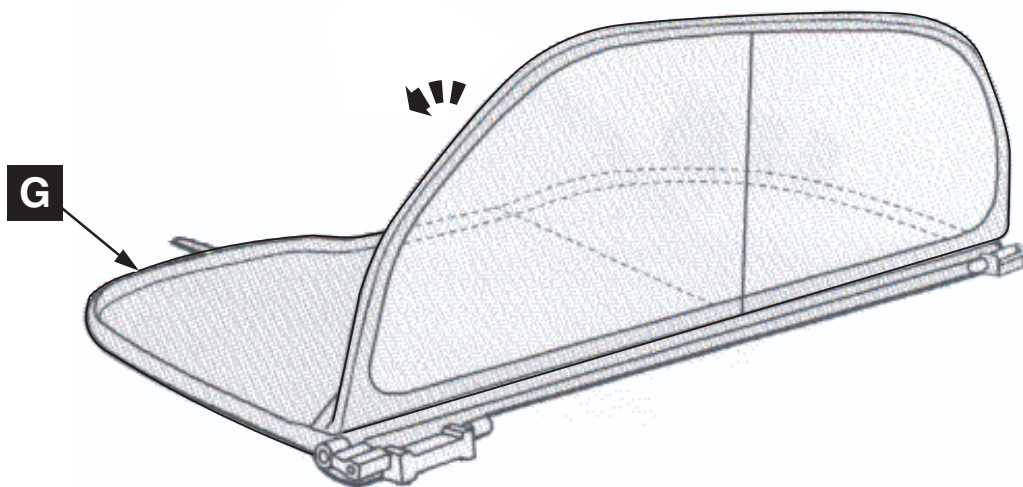




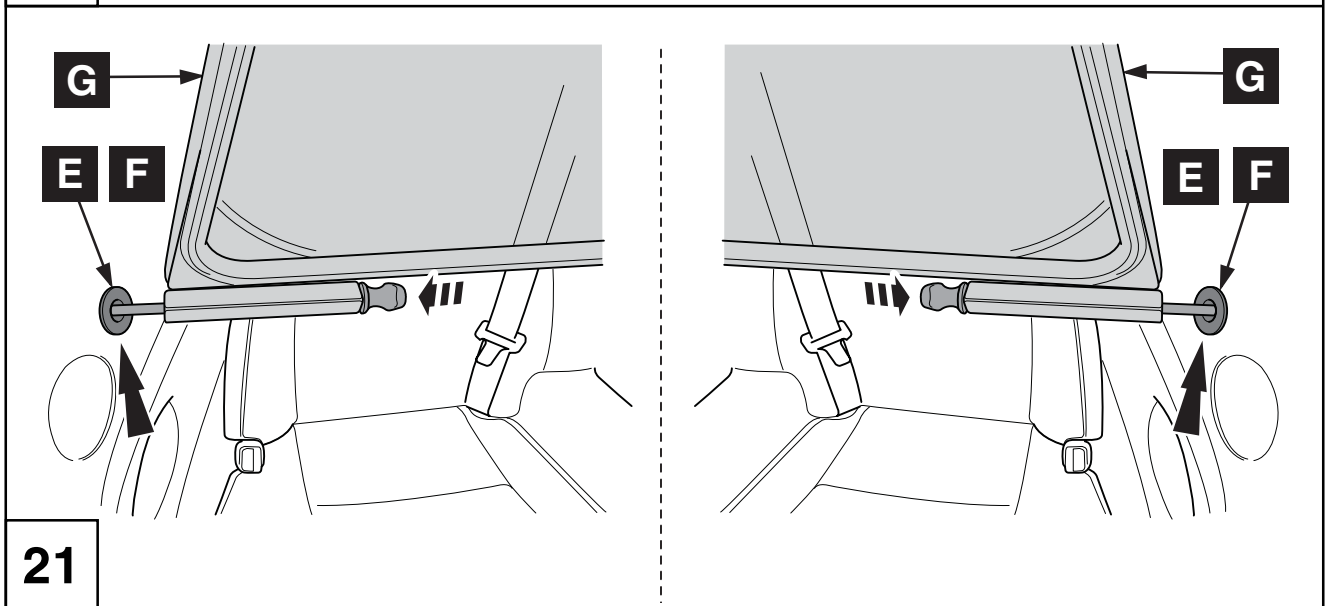
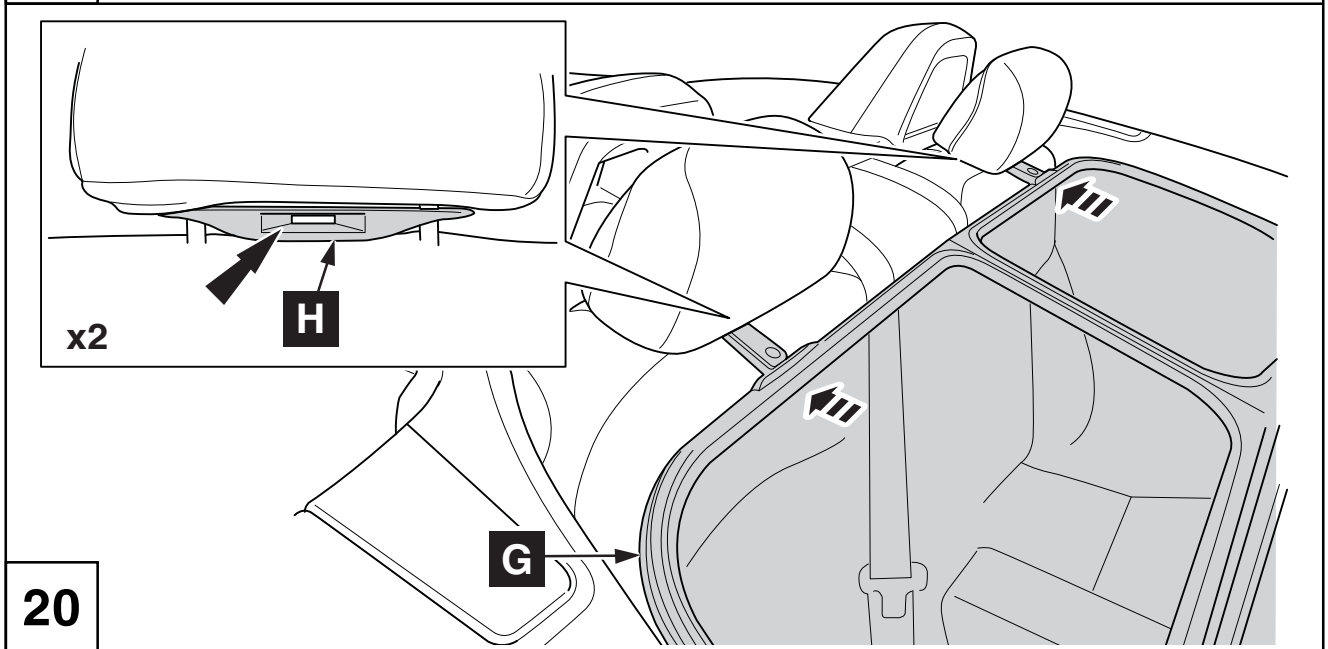
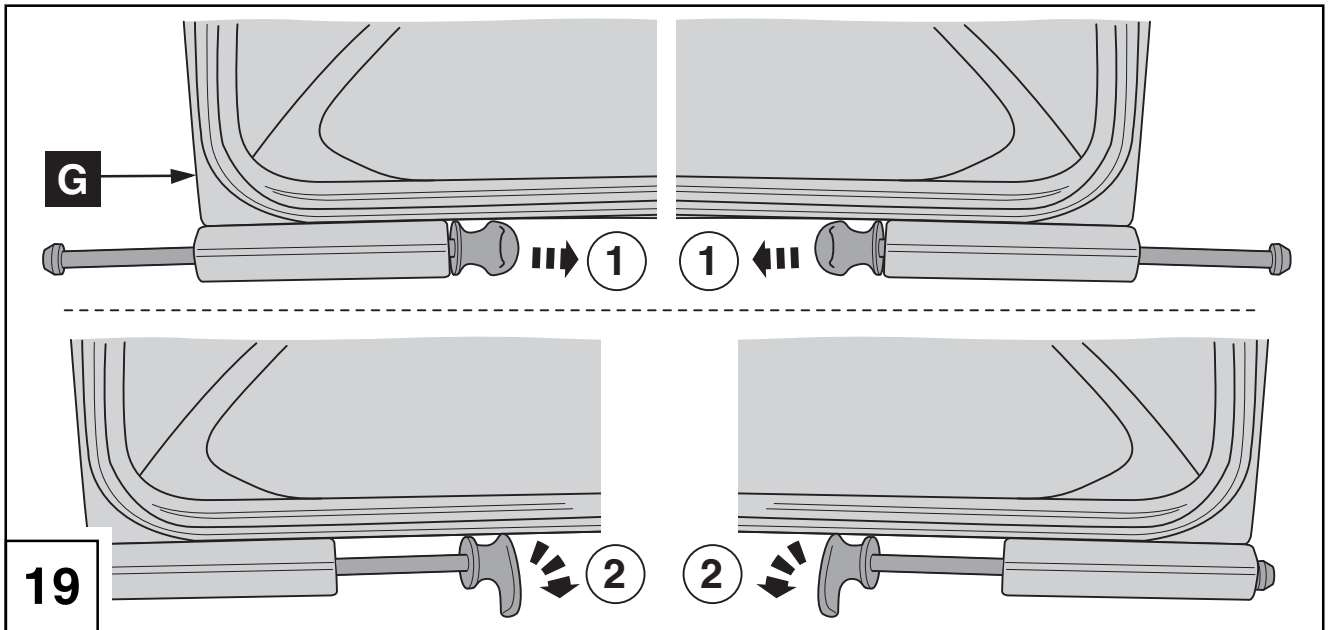
16



17



18

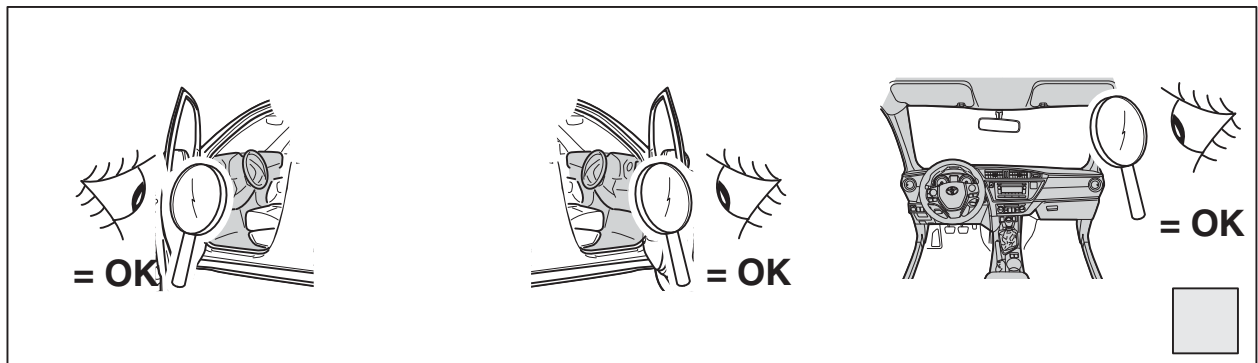
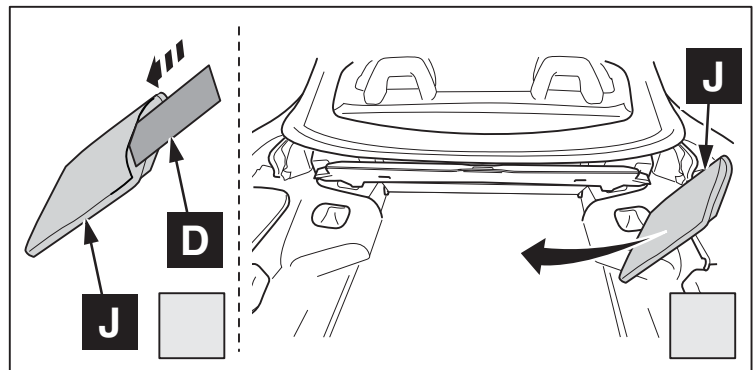
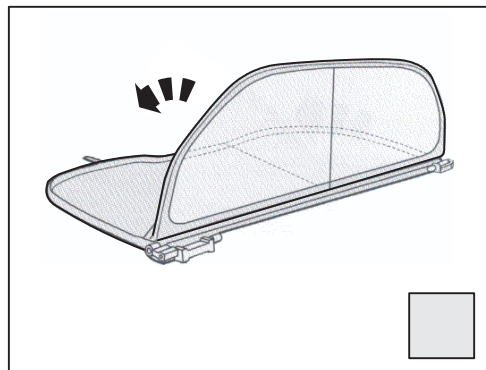
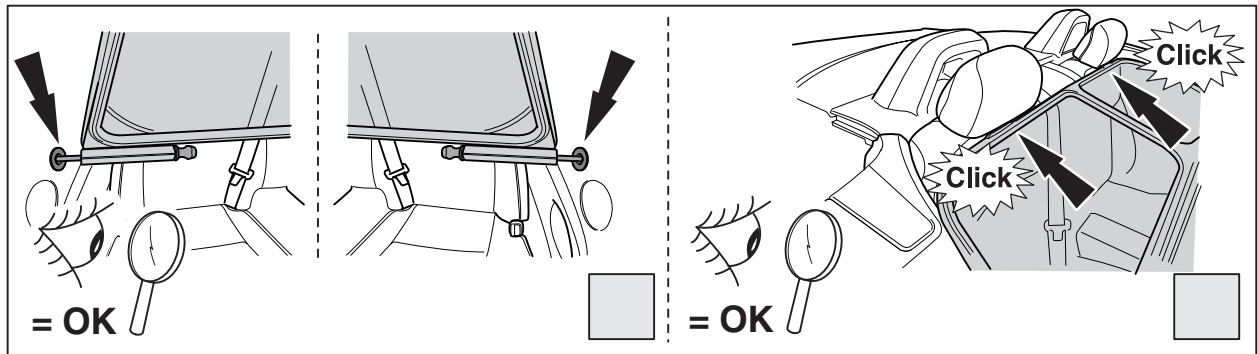
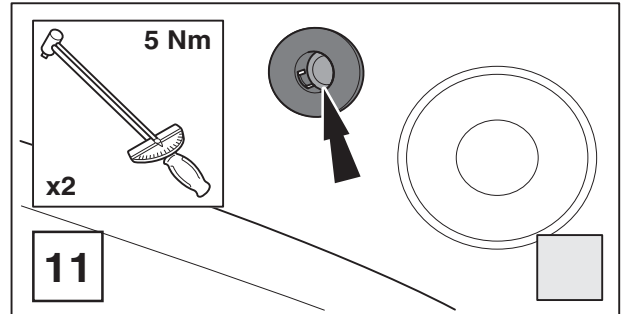
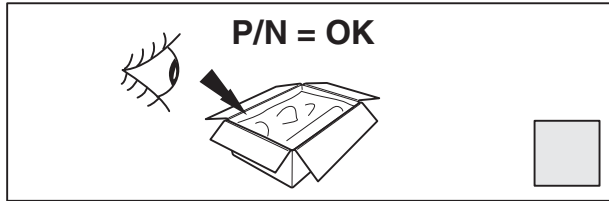


CHECK SHEET



Model / Year LEXUS IS 250/350 Convertible Windscreen

VIN n°



Installation Date:
... / ... / ...

Technician Name & Signature:

Stamp:

