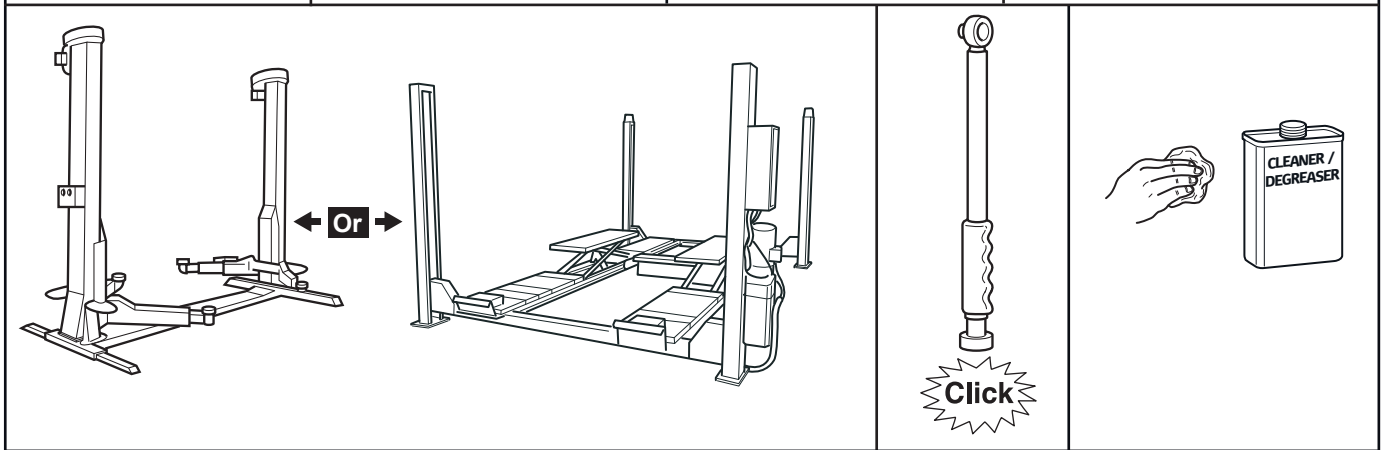
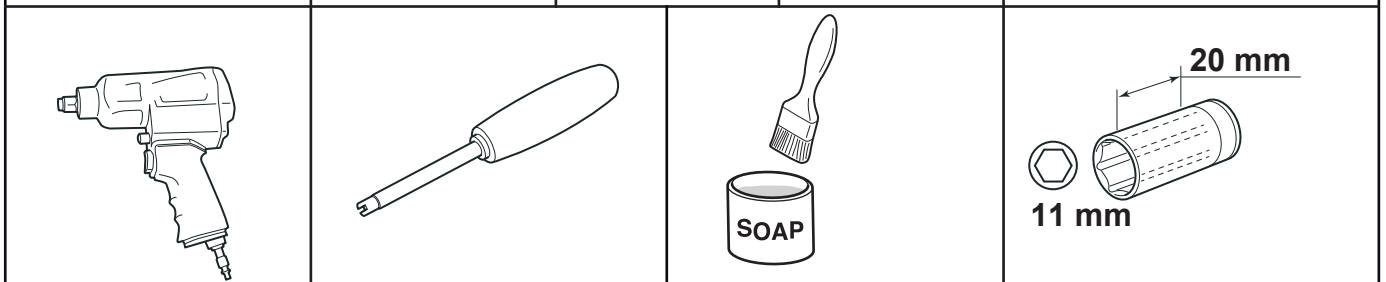
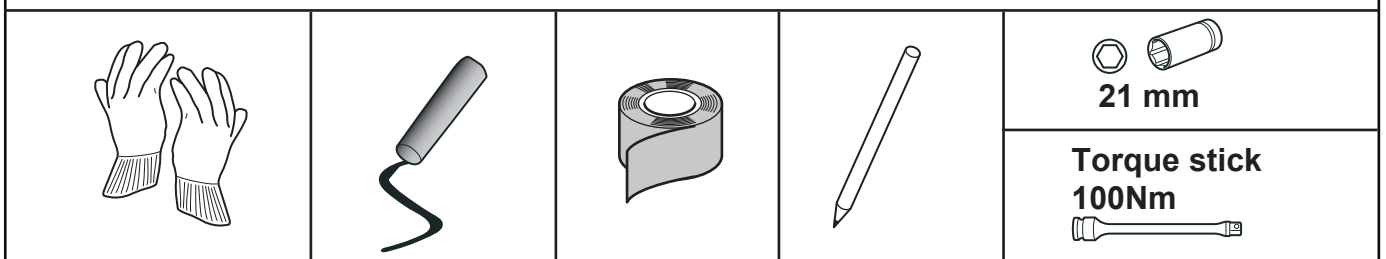


Alloy Wheels/Disk Wheels
INSTALLATION INSTRUCTIONS
All models

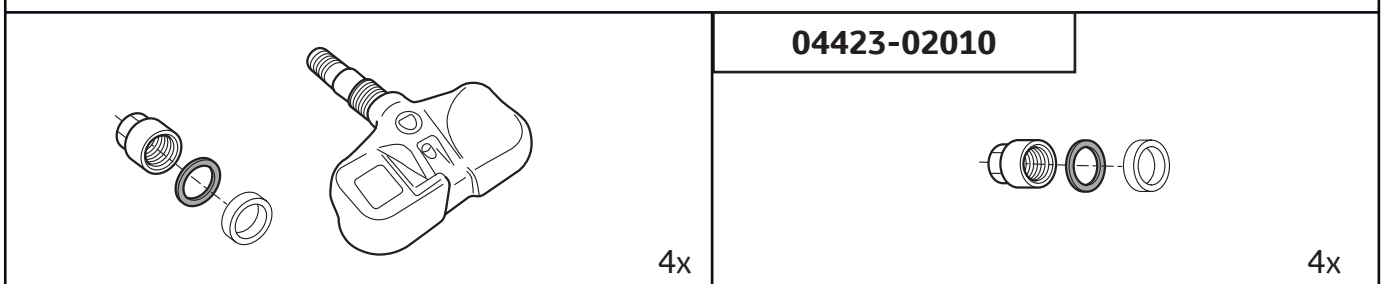
Part number 04423-02010 Fitting kit for TPMS / TWMS

Revision Record

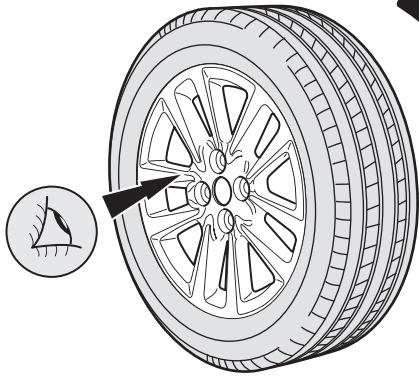
Rev. No.	Date	Page	Picture	Update	New	Deleted
2	29/03/2013	6, 11	12, 13	X		
3	08/11/2013	1, 6	Part no. + 13	X		
4	17/03/2015	all	all	X	X	
5	21/12/2016	all	all	X	X	
6	04/04/2017	5	7	X		



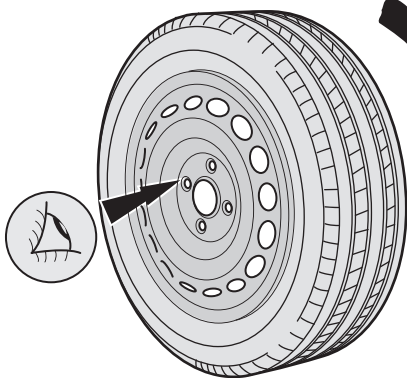
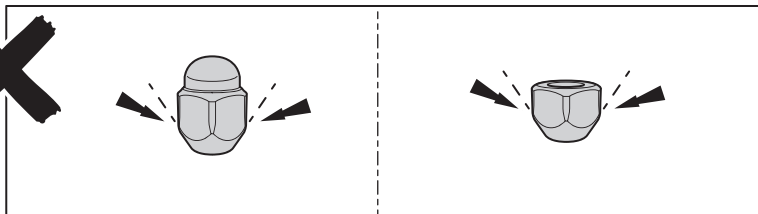
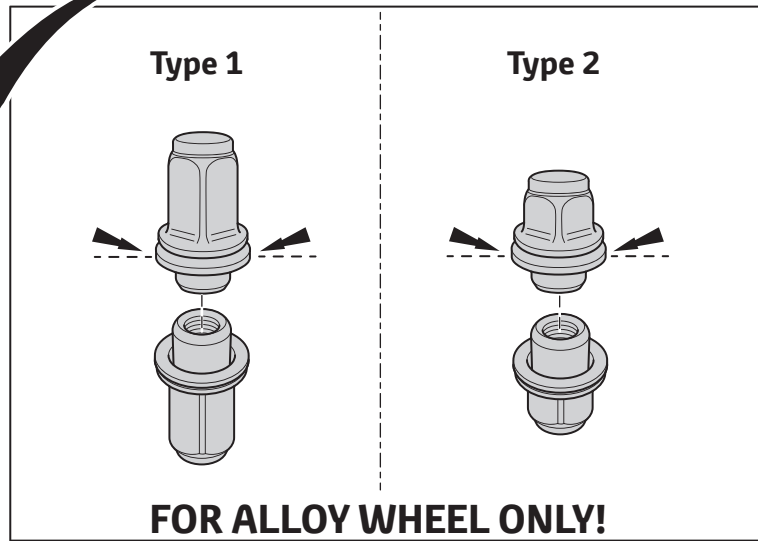
TPMS / TWMS



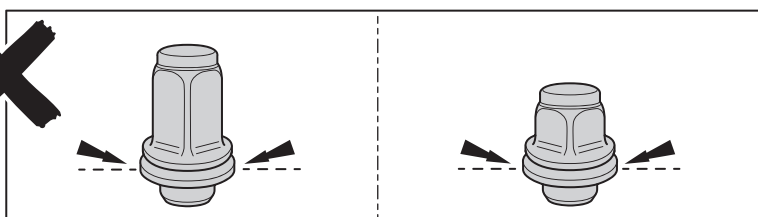
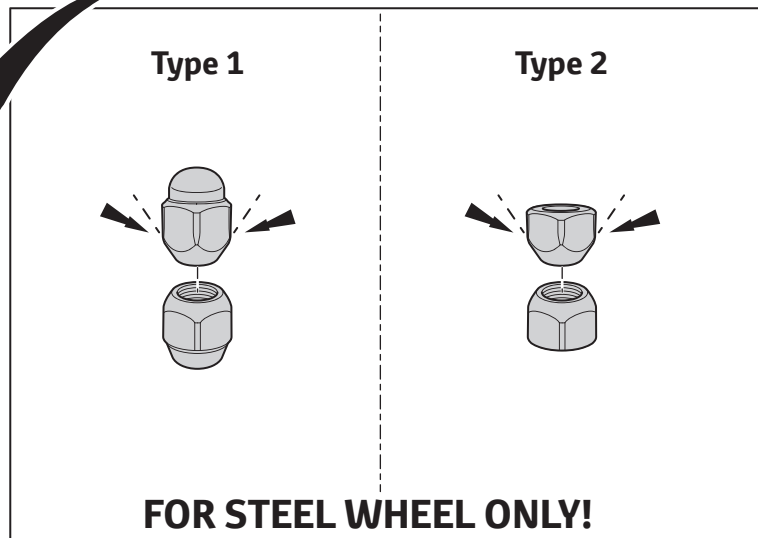
INFO

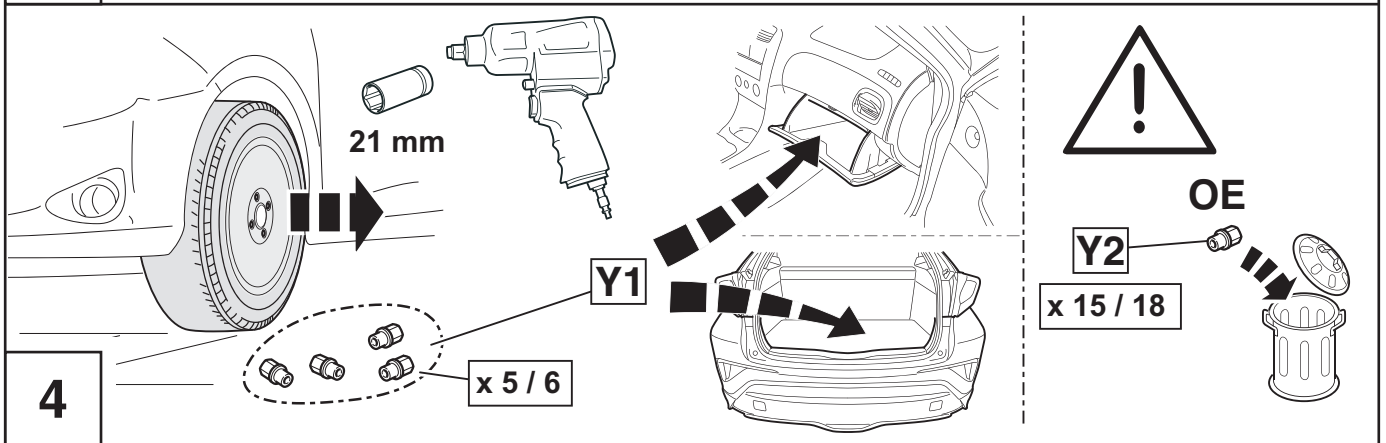
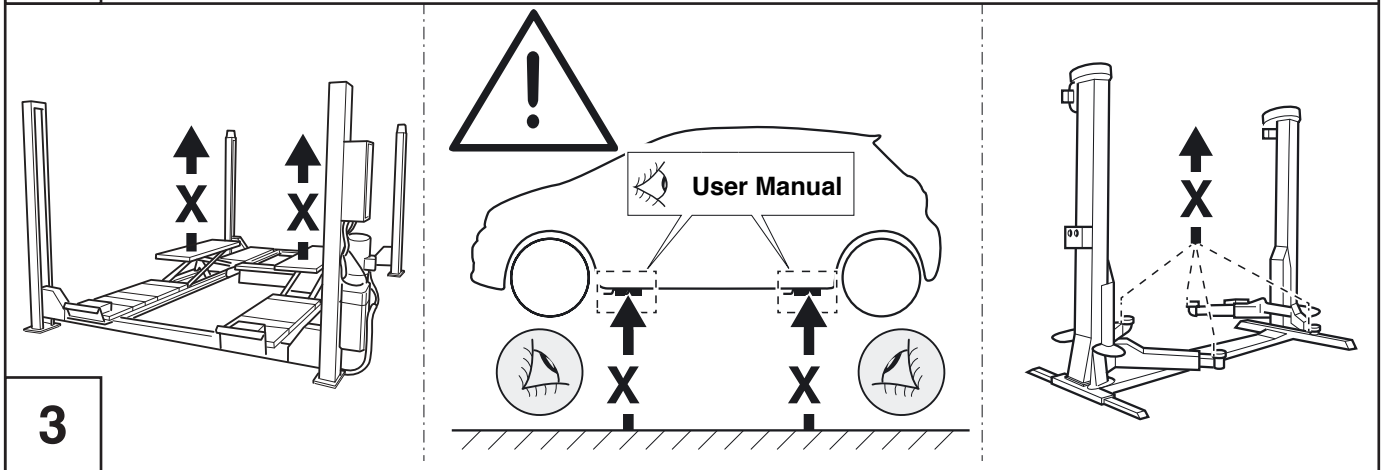
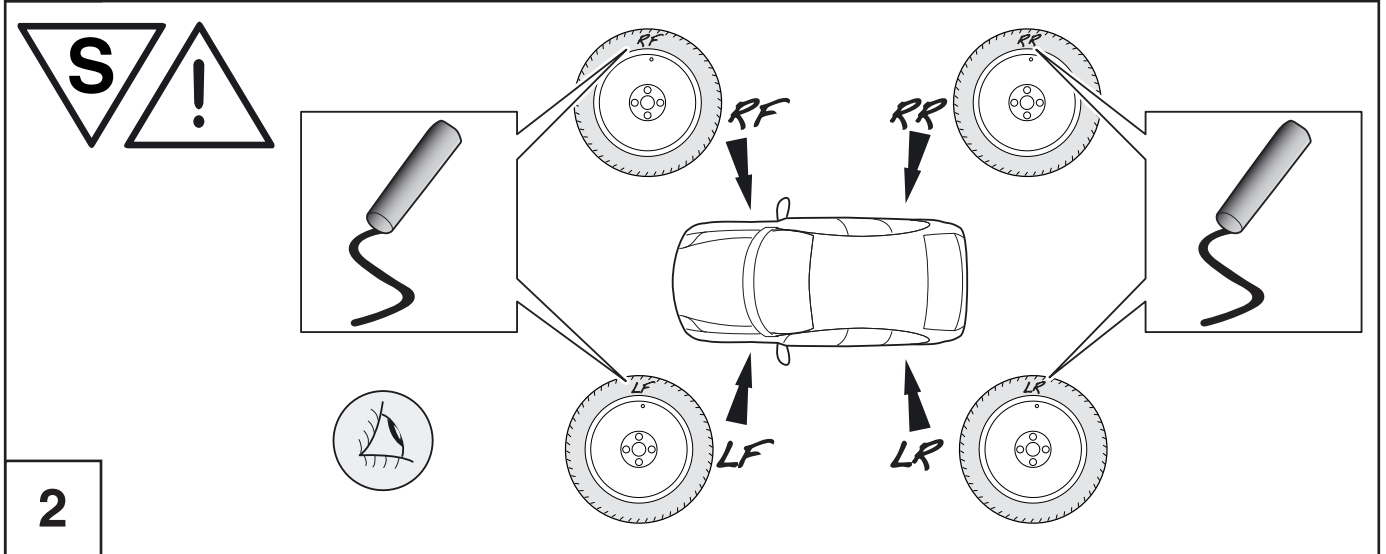
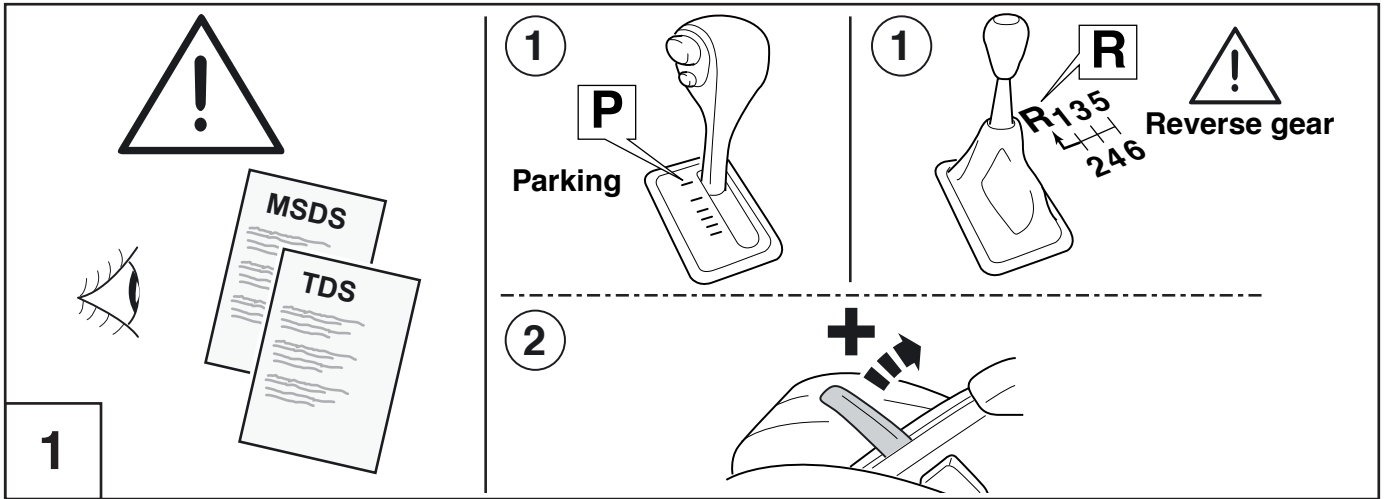


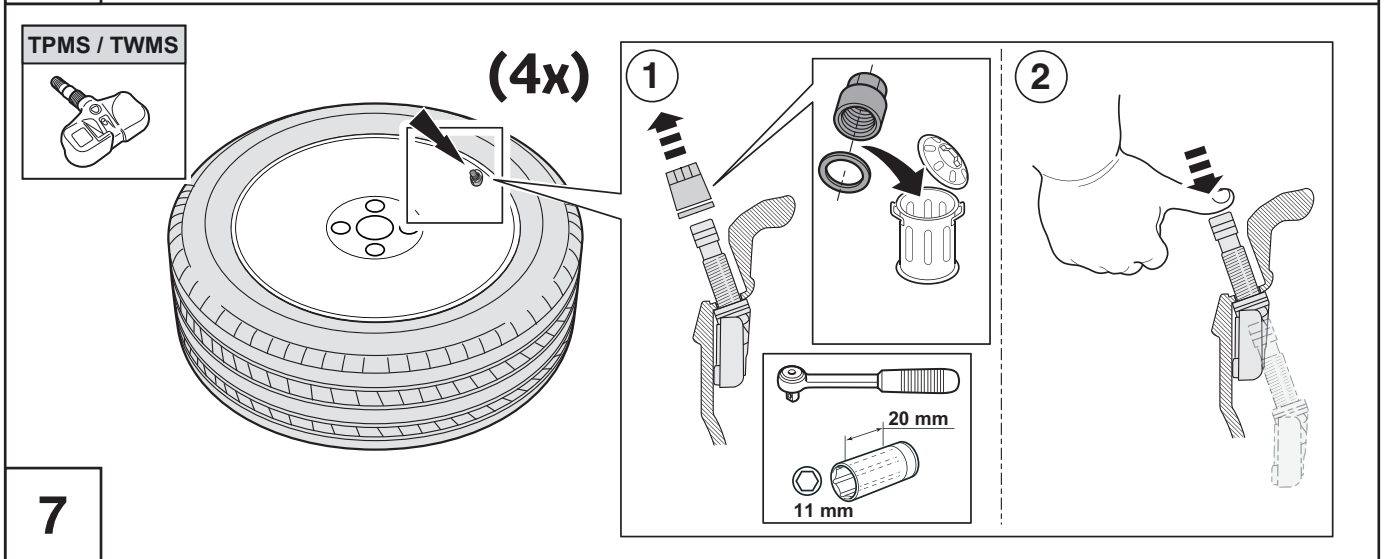
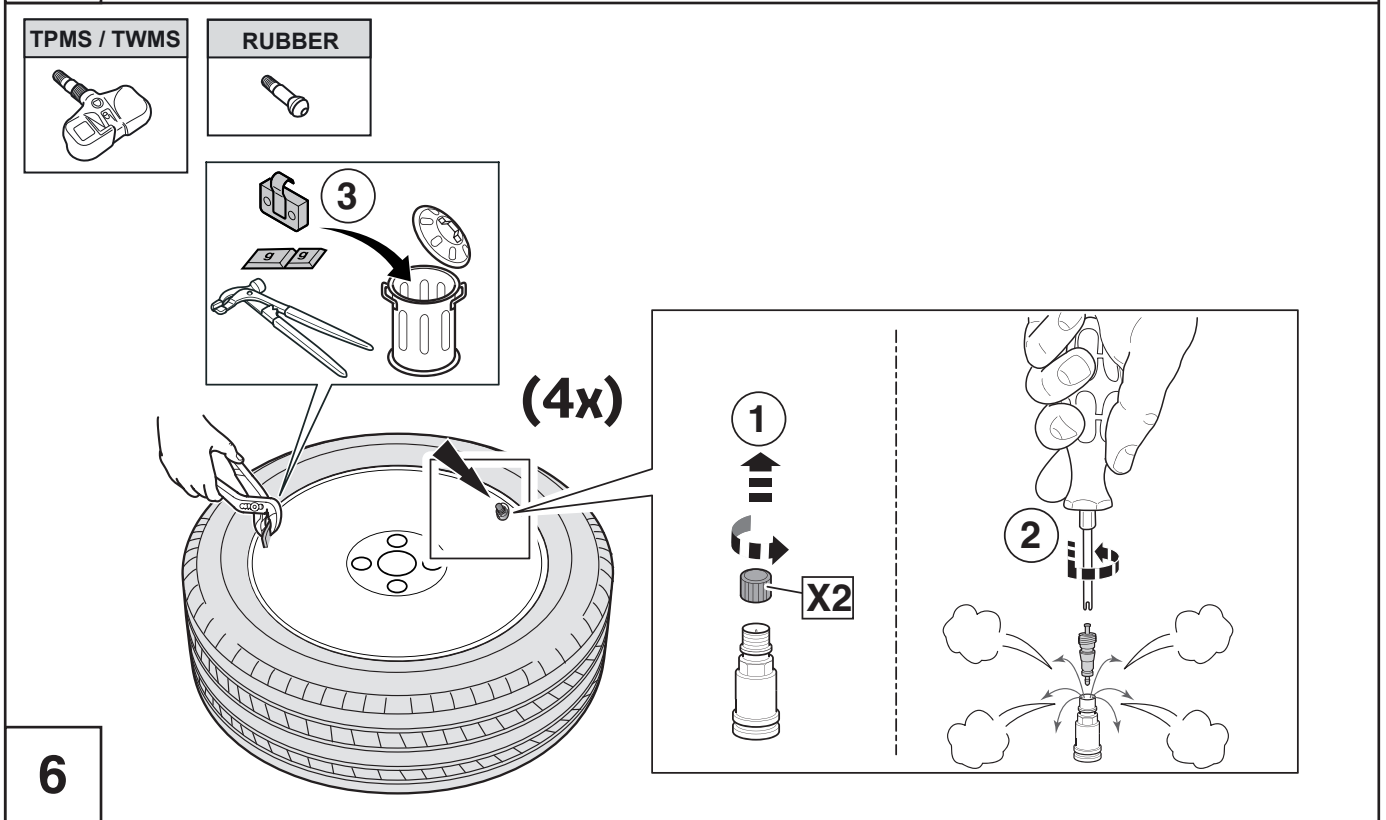
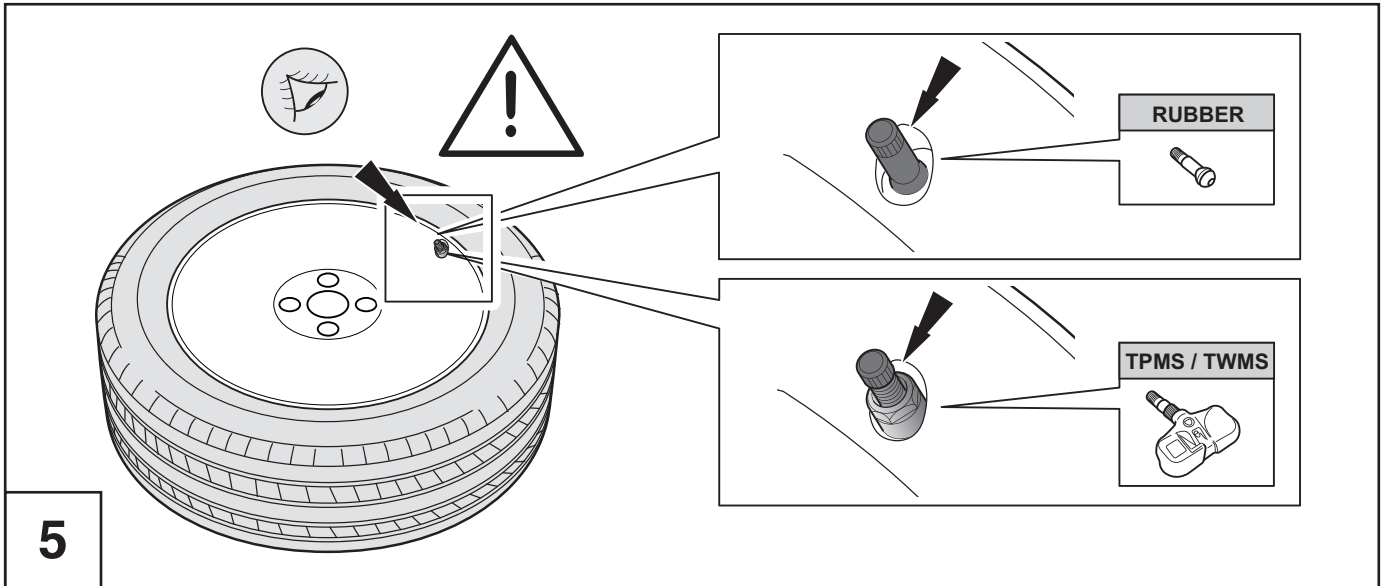
Alloy wheel ⇨

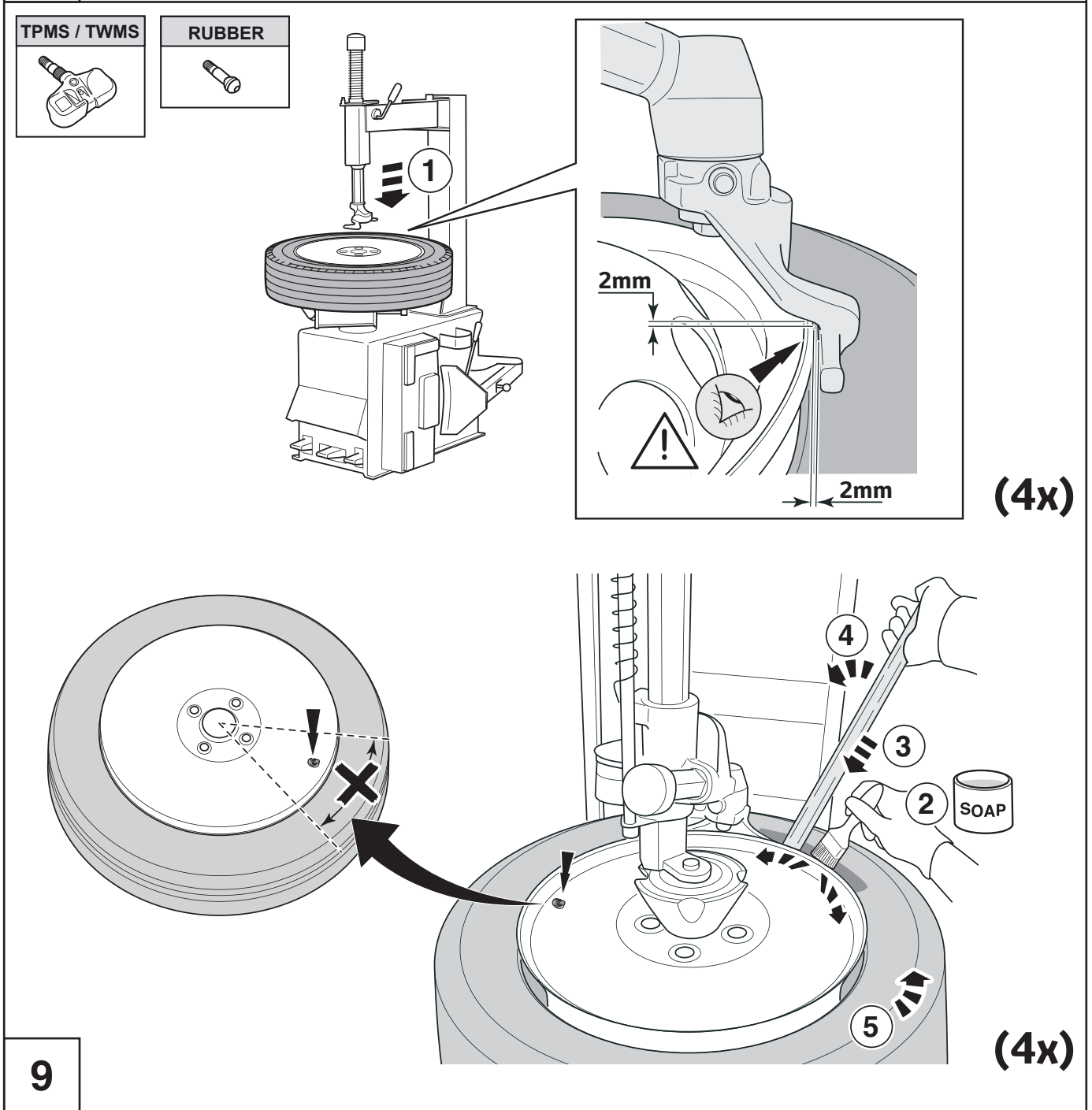
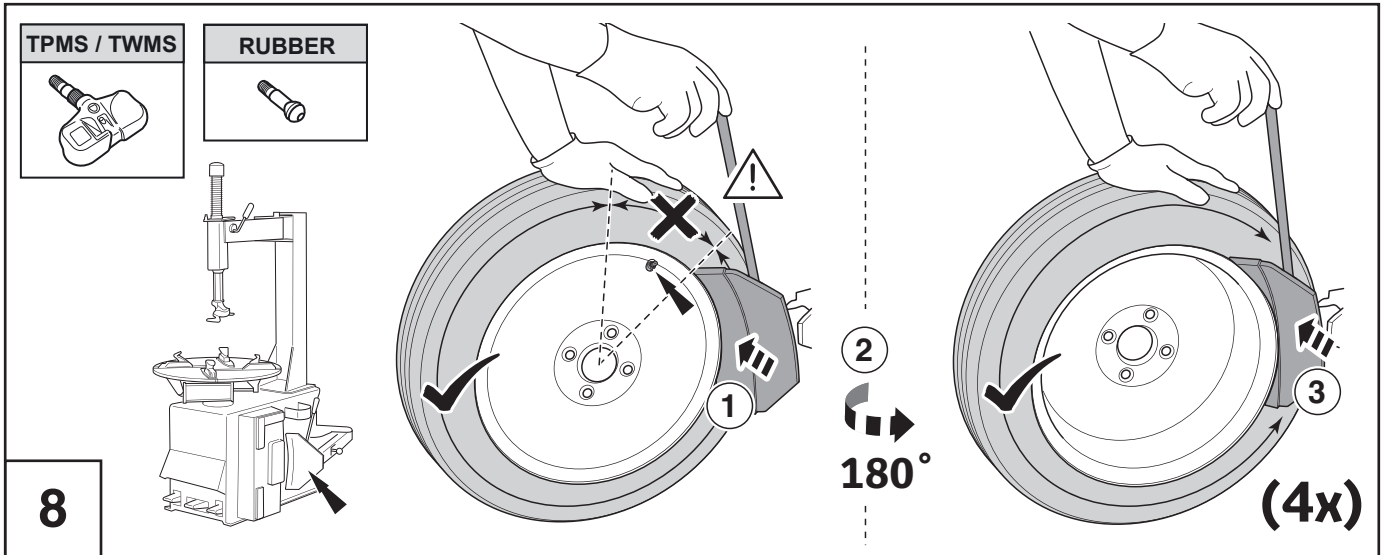


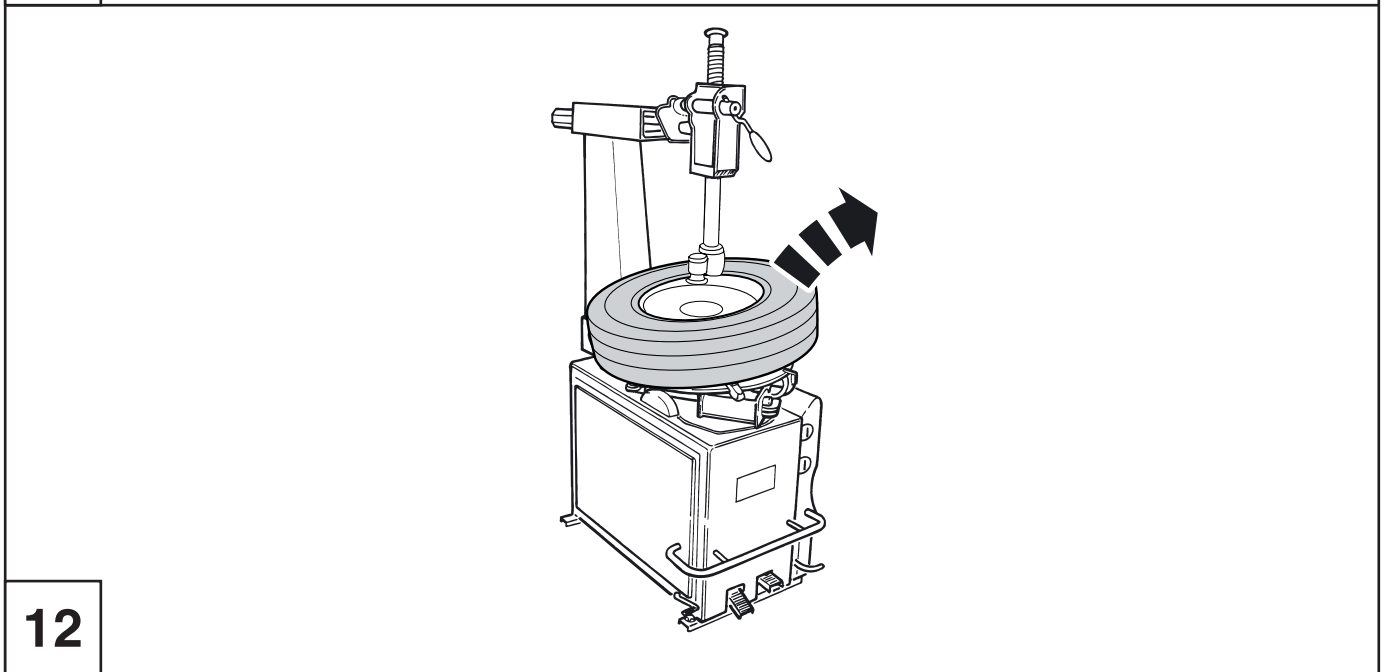
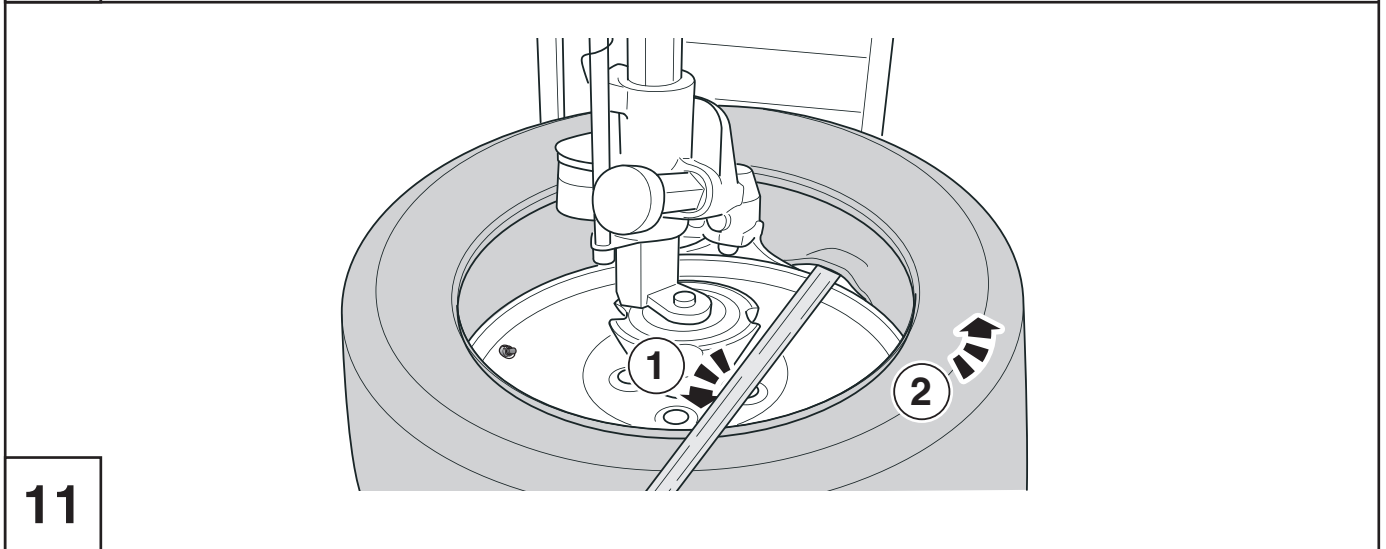
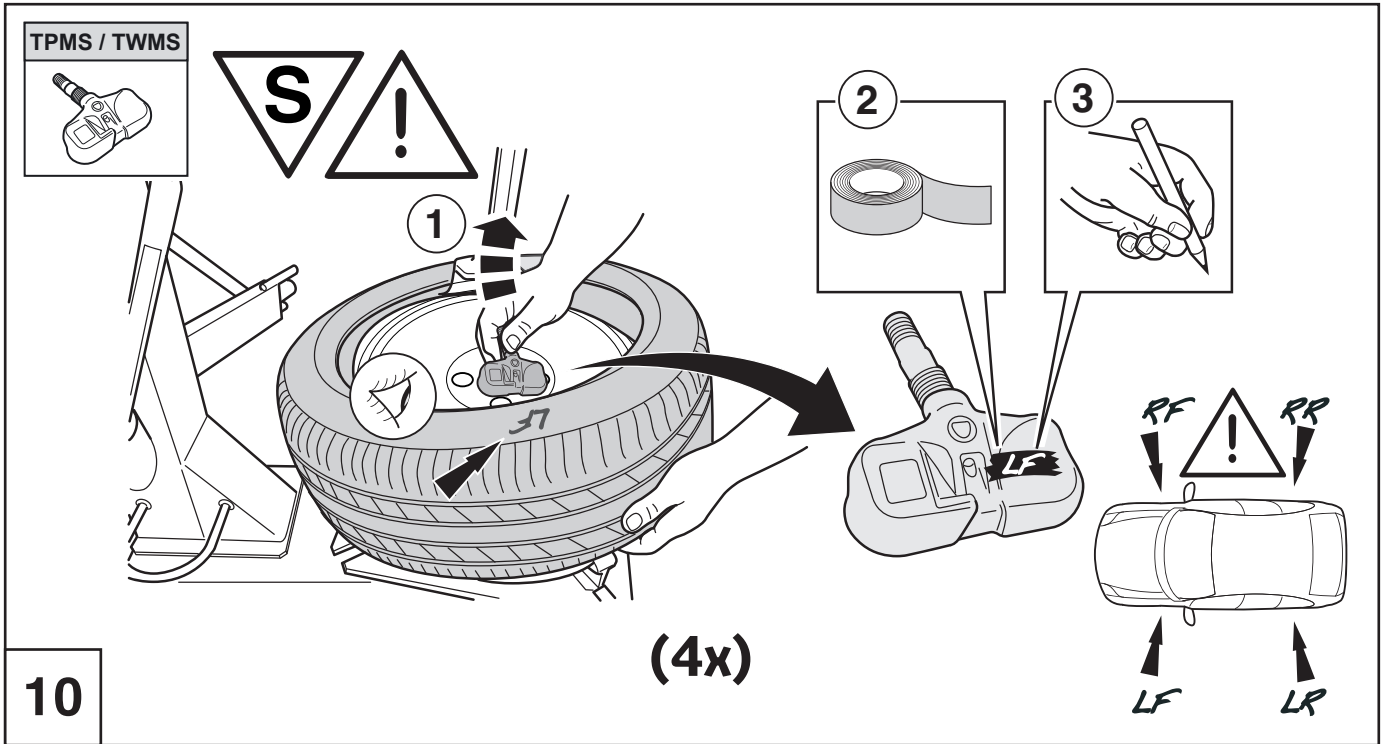
Steel wheel ⇨











RUBBER

1

2

New Valve

13

(4x)

S **!**

TPMS / TWMS

04423-02010

1

2

3

4

04423-02010

4

20 mm

11 mm

Nm

Nm = Repair manual

LF = LF

14

(4x)

TPMS / TWMS

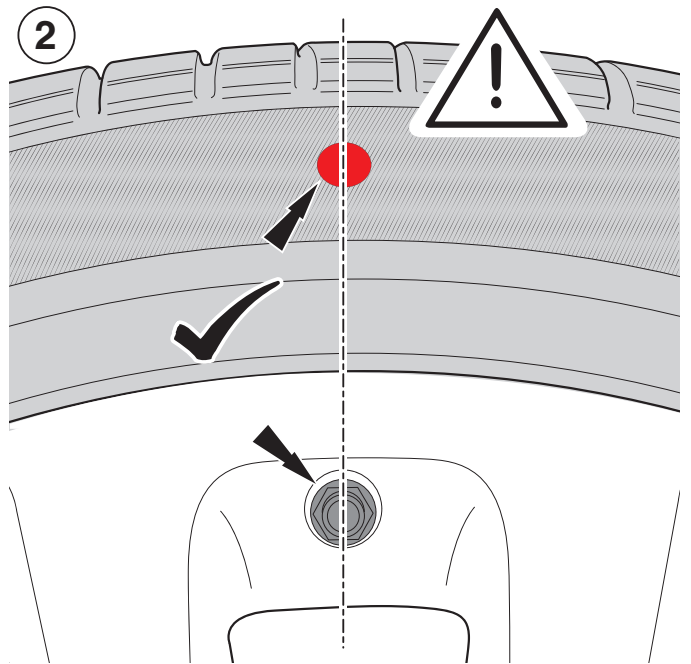
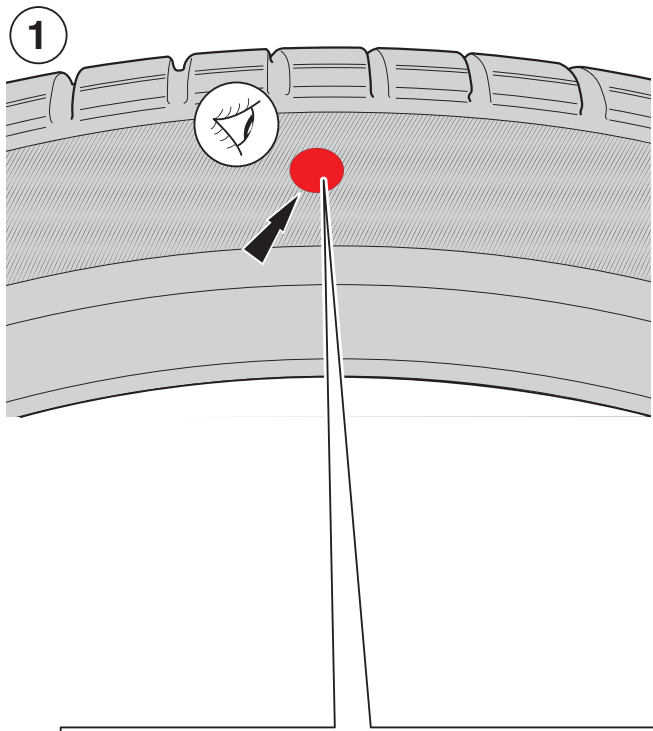
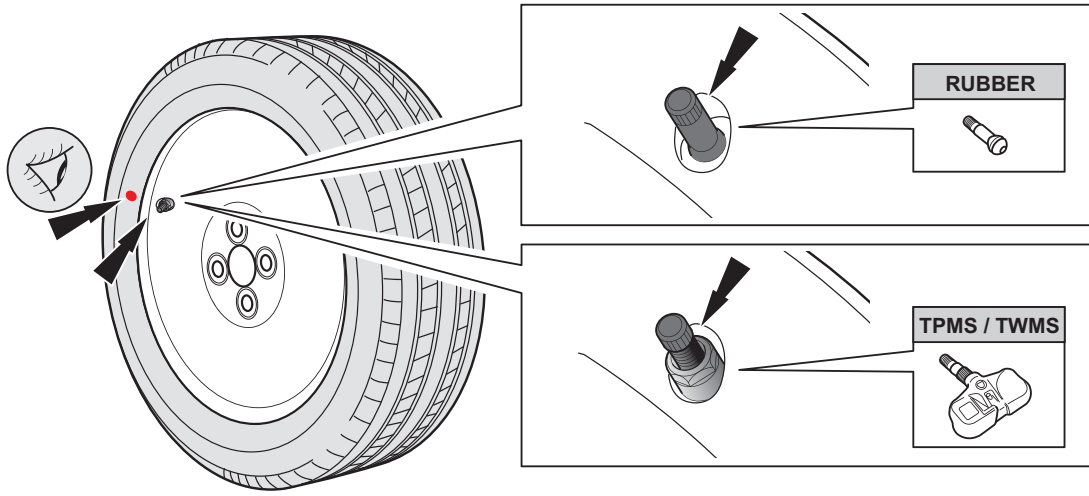
RUBBER

SOAP

15

(4x)

(4x)

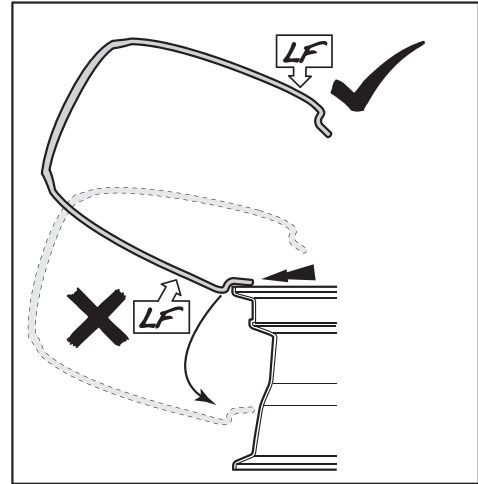
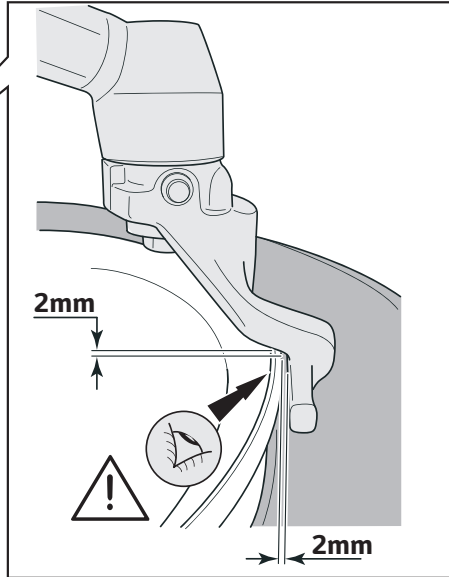
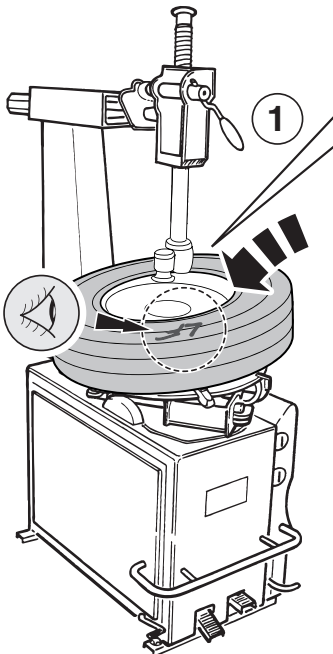


	HU	PL	EL	RU	TR	BG	ET	LV	LT	RO	SL	SK
R	Piros	Czerwona	Kókkivo	Красный	Kırmızı	Червено	Punane	Sarkans	Raudona	Roșu	Rdeča	Červená
	EN	DE	ES	FR	IT	PT	NL	DA	NO	SV	FI	CS
R	Red	Rot	Rojo	Rouge	Rosso	Vermelho	Rood	Rød	Rød	Röd	Punainen	Červená

TPMS / TWMS



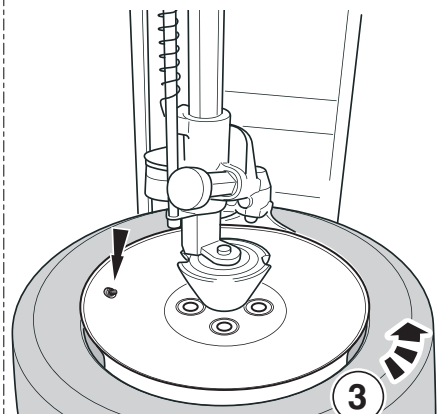
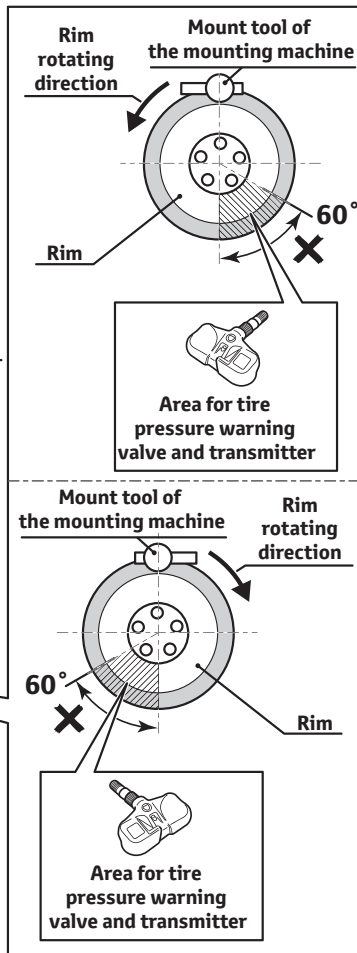
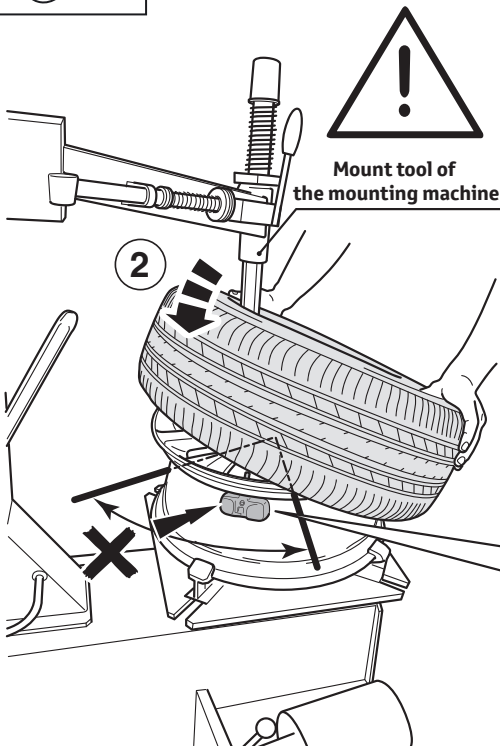
RUBBER



TPMS / TWMS



(4x)



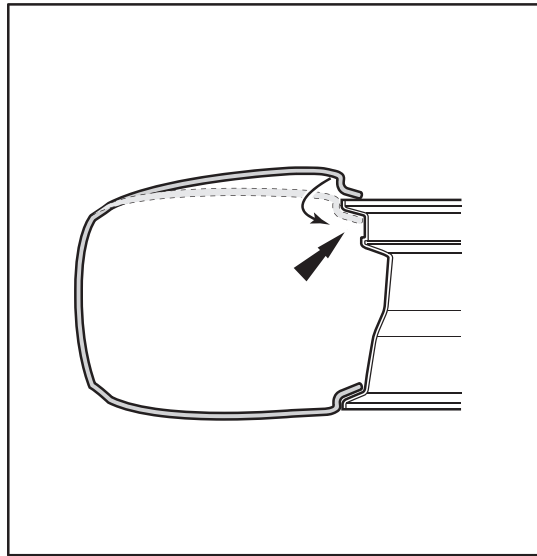
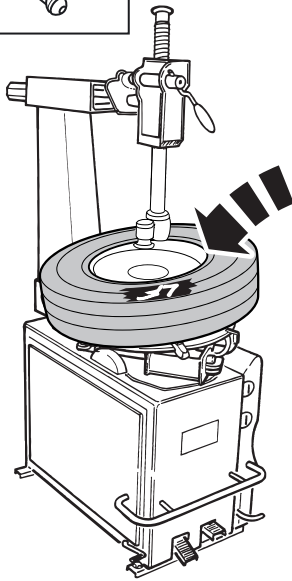
17

(4x)

TPMS / TWMS

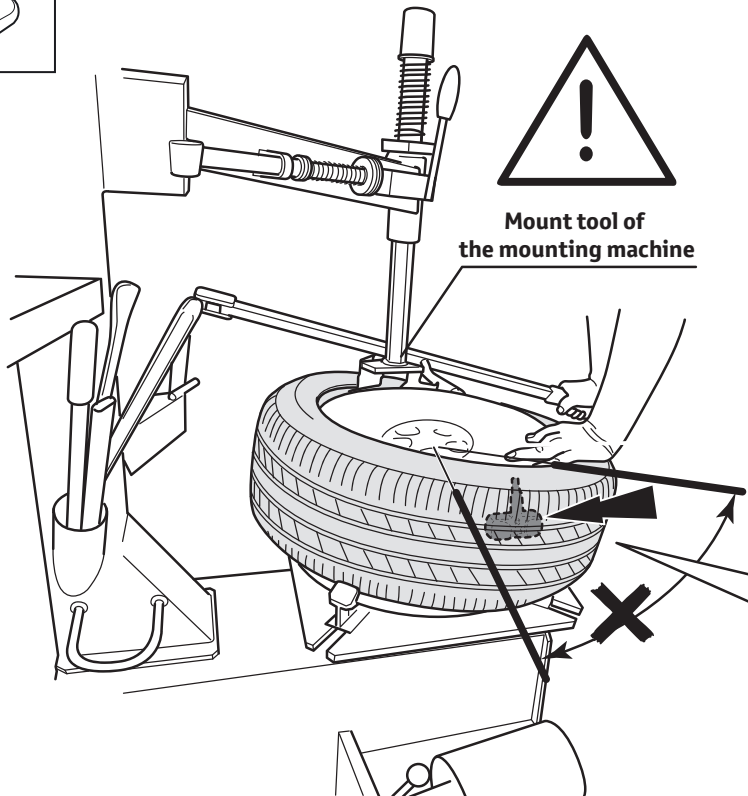


RUBBER

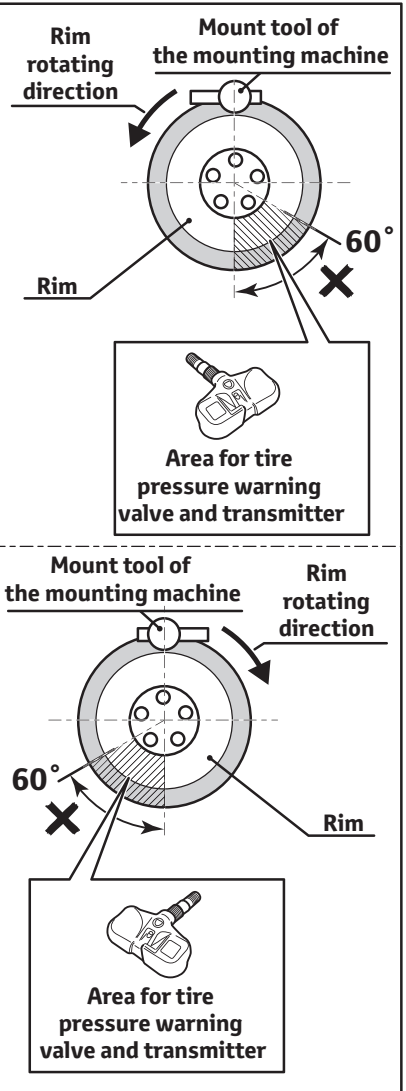


(4x)

TPMS / TWMS



Mount tool of the mounting machine



18

(4x)

19

Plop
Max. 3 bar

(4x)

20

"Dynamic Mode"

Inside
60g Max.

outside
120g Max

CLEANER / DEGREASER

(4x)

21

Re-tightening torque

Nm = Repair manual

20 mm

11 mm

Nm

TPMS / TWMS

(4x)

22

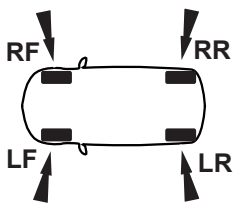
CLEANER x 5/6

OIL

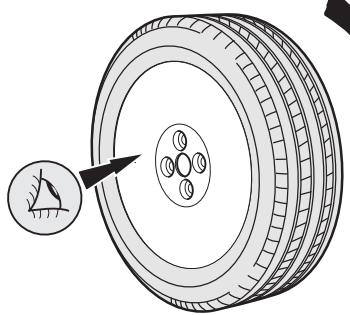
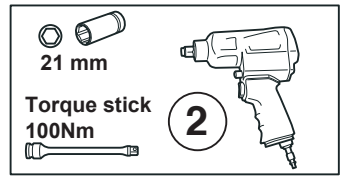
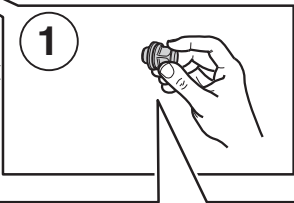
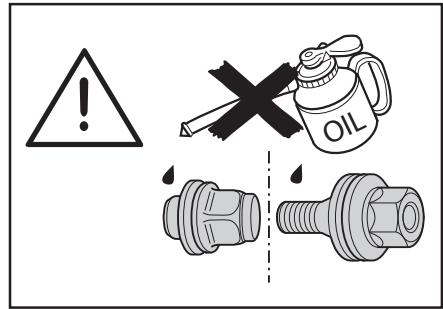
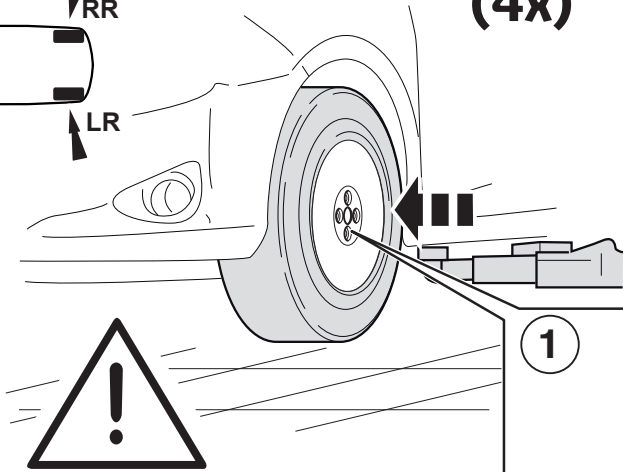
x 5/6

x 5/6

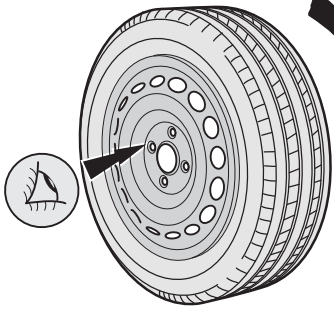
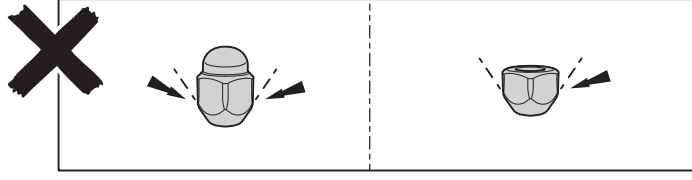
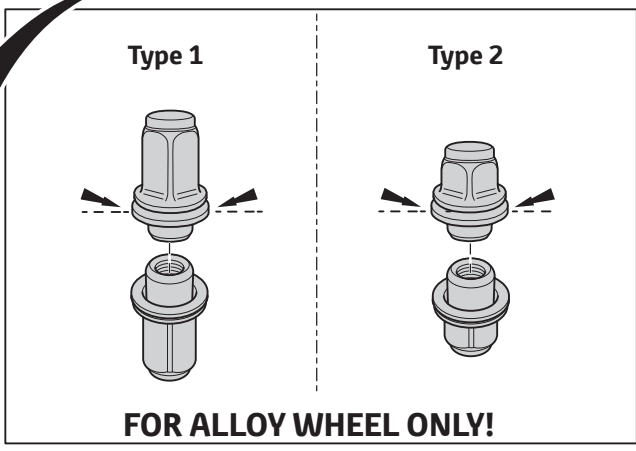
(4x)



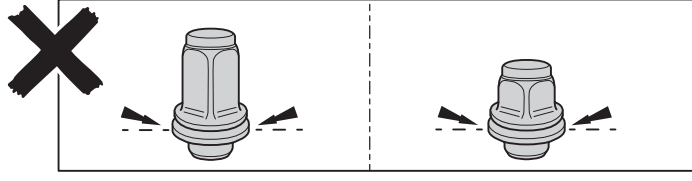
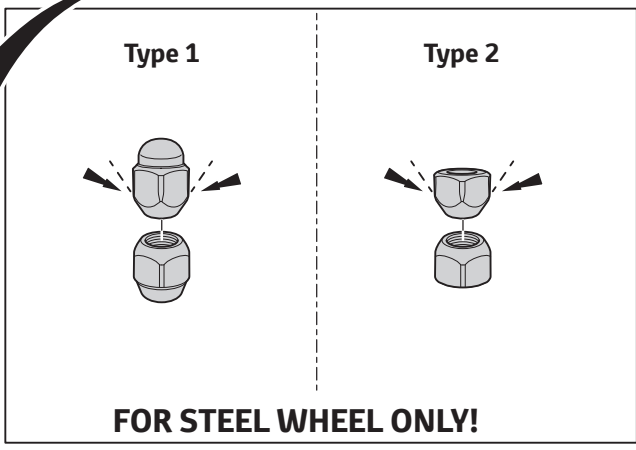
(4x)



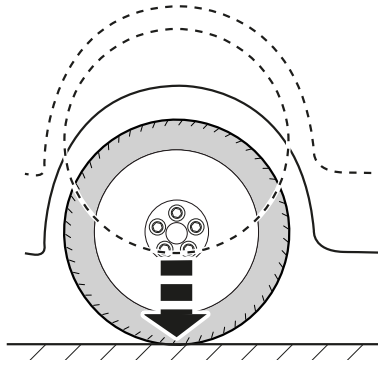
Alloy wheel ⇨



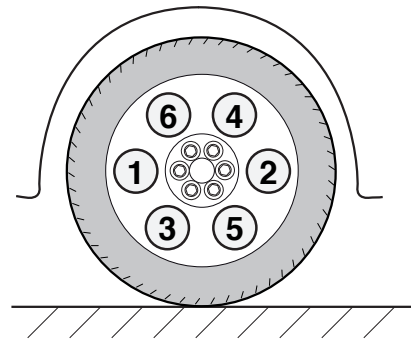
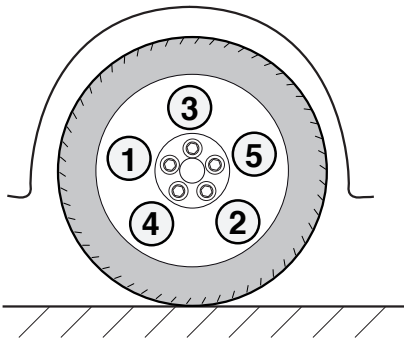
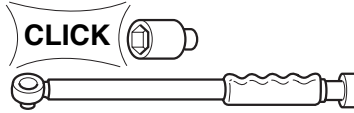
Steel wheel ⇨



24



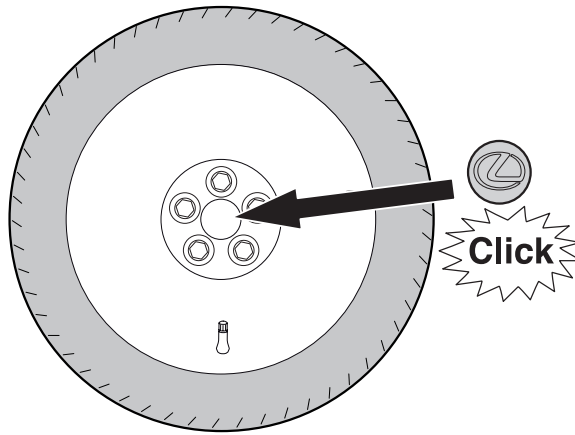
Nm =  User Manual



25

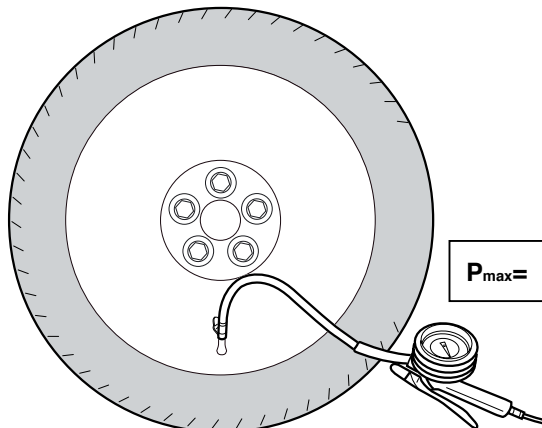
(4x)

Alloy wheels



26

(4x)



P_{max} =  User Manual

27

(4x)

CHECK SHEET

Model / Year

Alloy Wheels / Steel Wheels

VIN n°

P/N = OK

RF = RF RR = RR

LF = LF LR = LR

=A =B

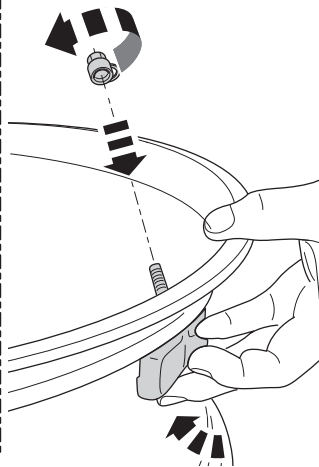


TPMS / TWMS



1

Nm = Repair Manual



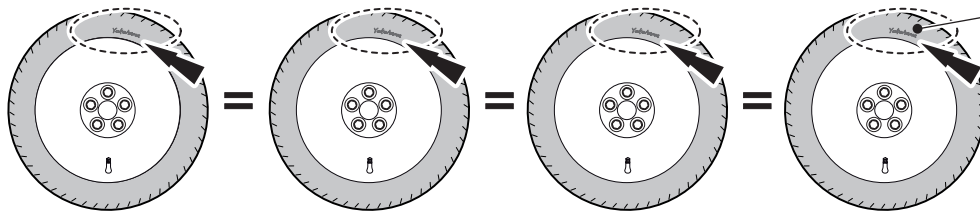
3



Serial Number

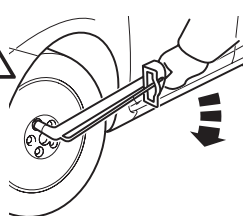
Nm

1	A	<input type="text"/>	B	<input type="text"/>
2	A	<input type="text"/>	B	<input type="text"/>
3	A	<input type="text"/>	B	<input type="text"/>



Brand "A"
XXX/RXX/XX

A B



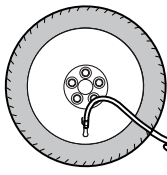
Serial Number

Nm = User Manual

Nm

A B

P_{max} = User Manual



= OK

Y1

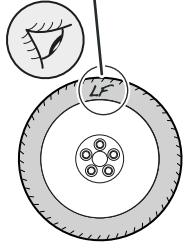
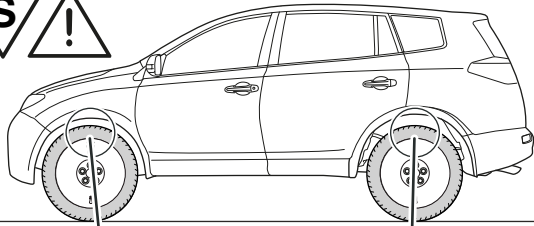
X2

X2

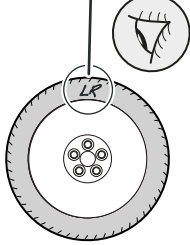


= OK



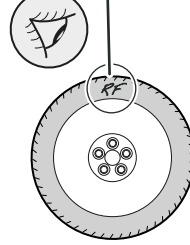
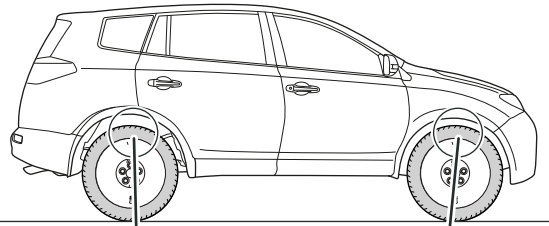


LF = LF = OK

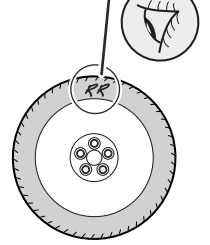


LR = LR = OK

A B

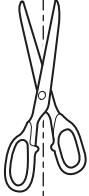


RF = RF = OK

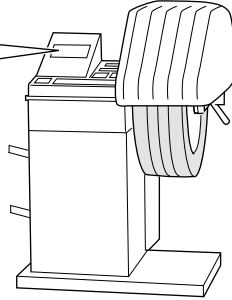


RR = RR = OK

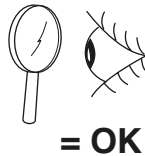
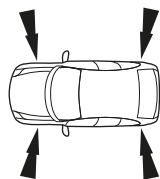
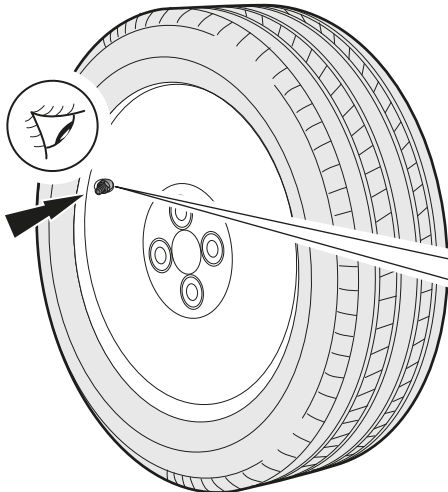
A B



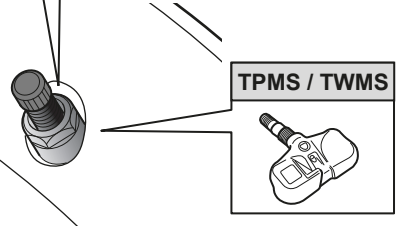
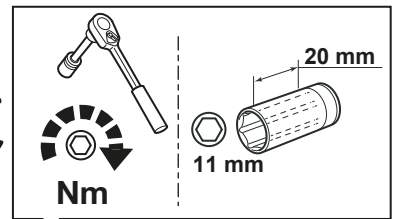
"Dynamic Mode"



Re-tightening torque



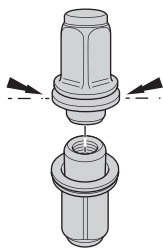
Nm = Repair manual



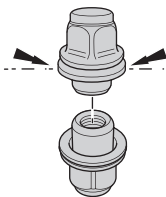
A B



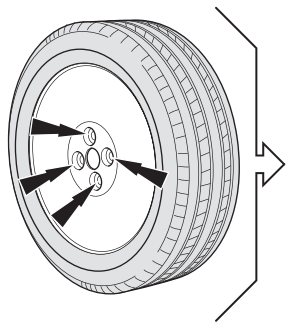
Type 1



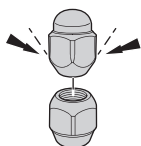
Type 2



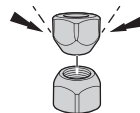
FOR ALLOY WHEEL ONLY!



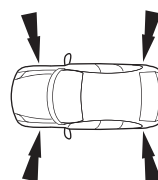
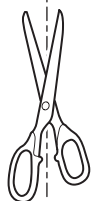
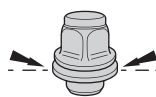
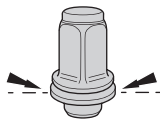
Type 1



Type 2



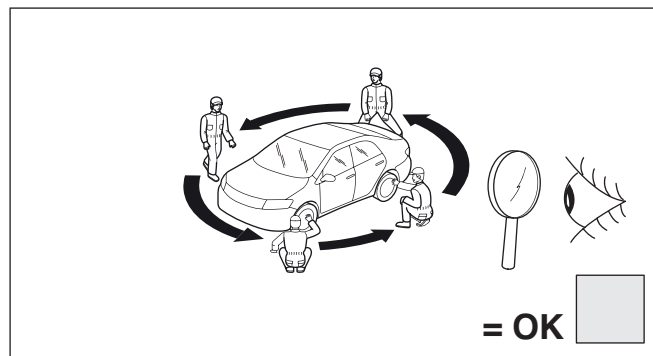
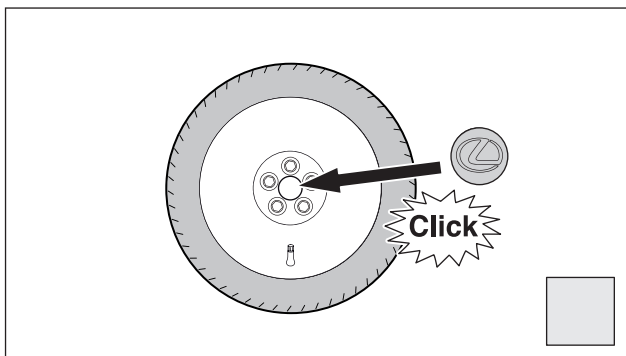
FOR STEEL WHEEL ONLY!



= OK

A

B



Installation Date:

... / ... / ...

Technician Name & Signature:

Stamp: