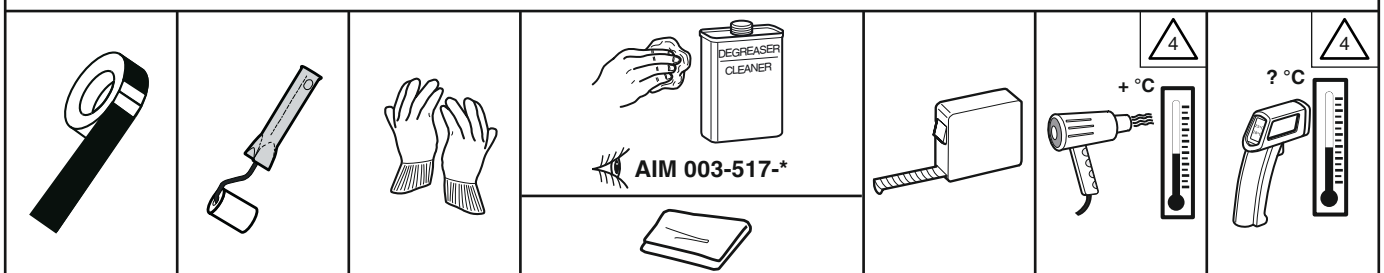
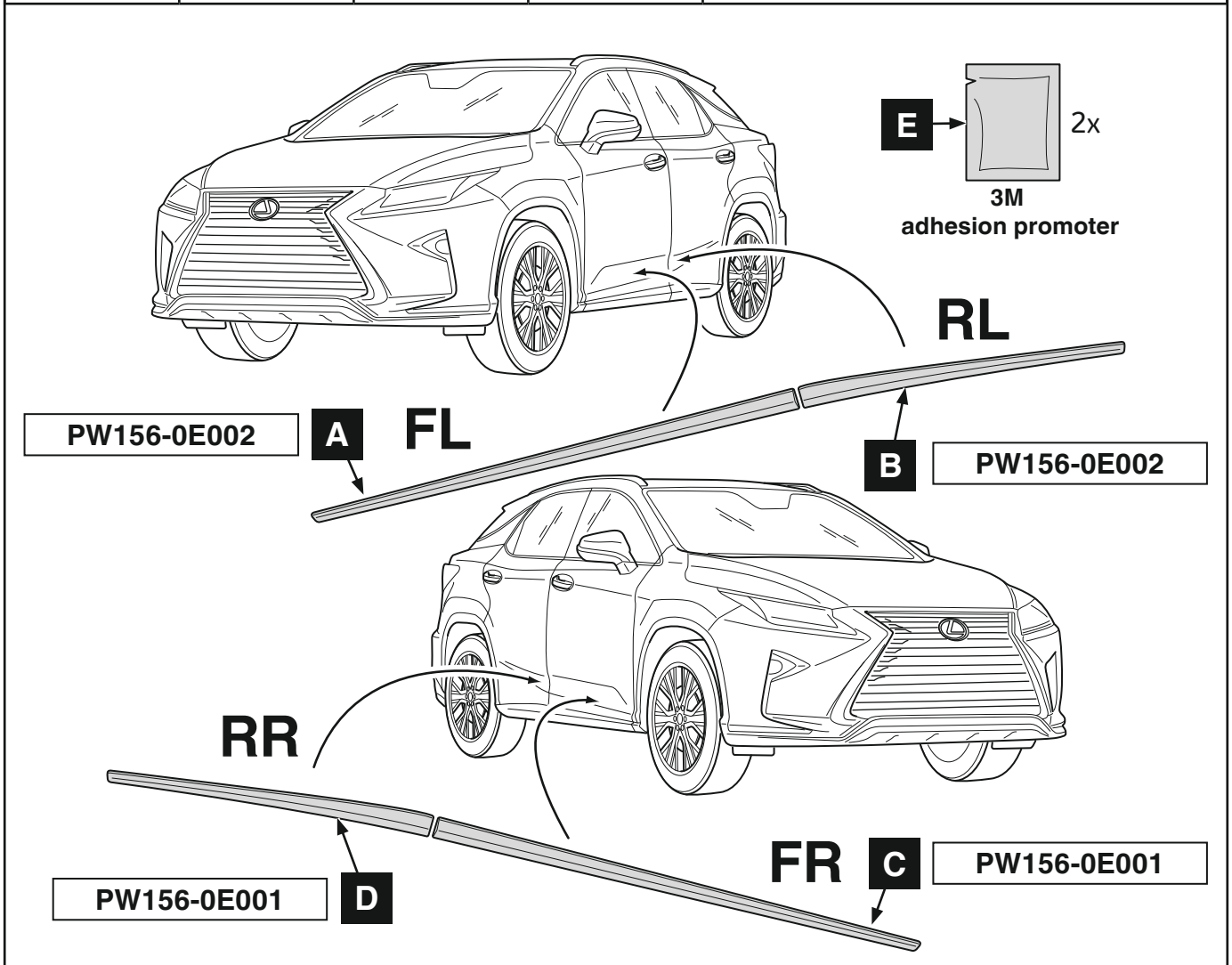


Side sills
INSTALLATION INSTRUCTIONS
RX
RX L

Model year	2015/09, 2017/12, 2019/08
Vehicle code	**L2**-AW***W, **L2**-A*****
Part number	PW156-0E000

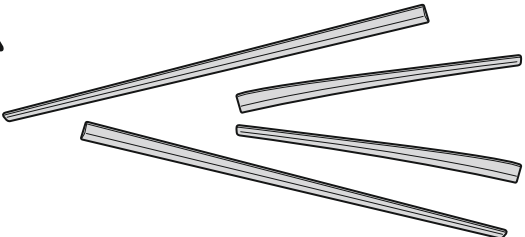
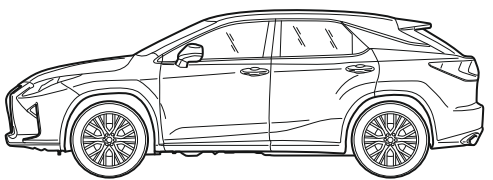
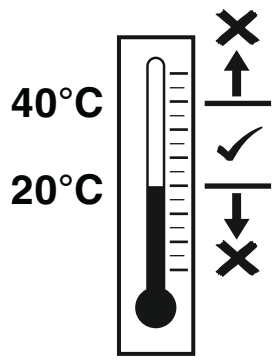
Revision Record

Rev. No.	Date	Page	Step	Remarks
△3	11-07-19	1, 9		Model year added
△4	06-11-19	2, 4, 6, 7	Tools, 3, 4, 10, 11	Temperature checks added.
△4	06-11-19	9	18	Cleaning added.
△4	06-11-19	5, 7	5, 12	Step improved.

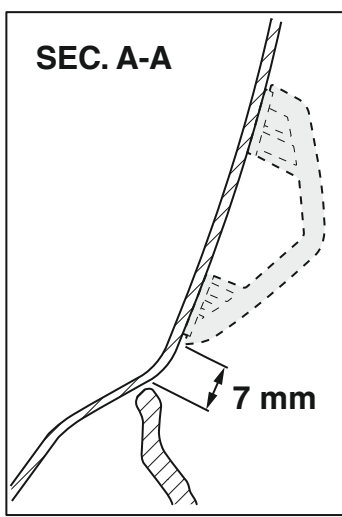
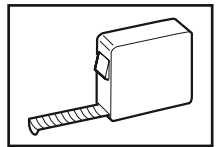
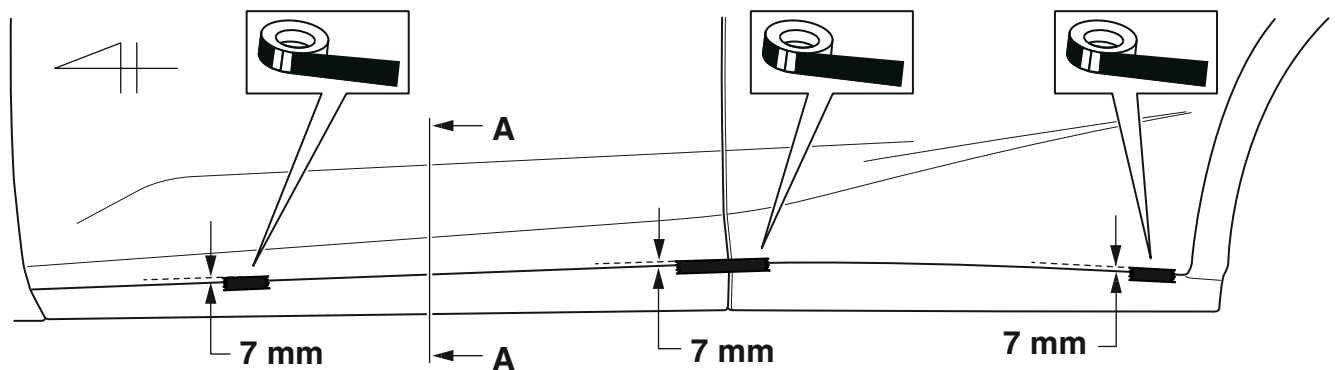
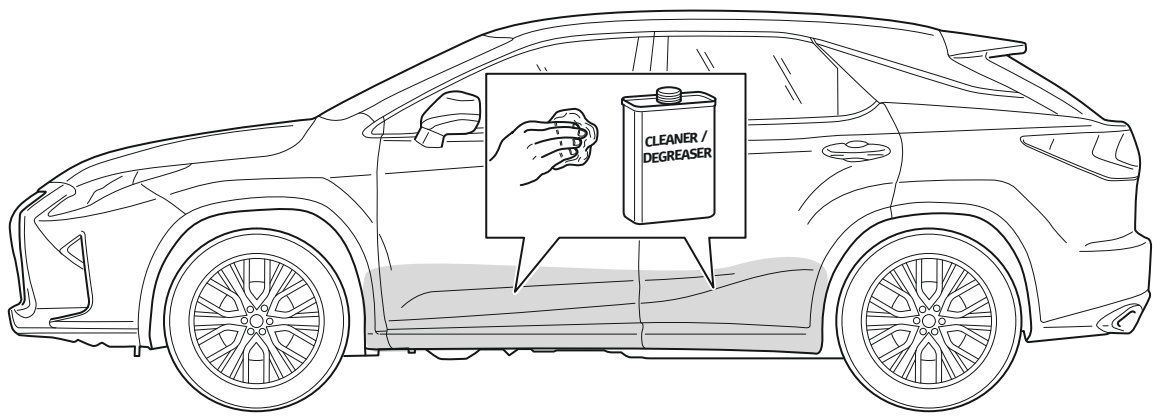




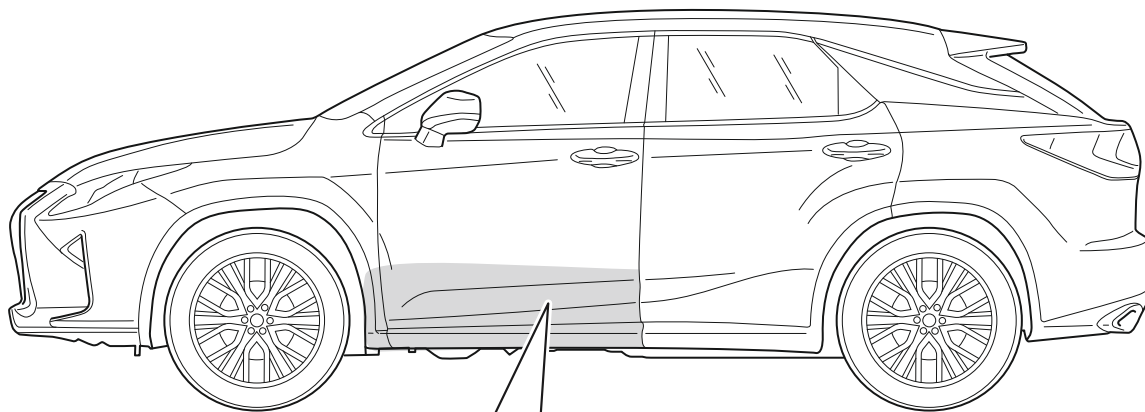
Material Safety Data Sheet



1

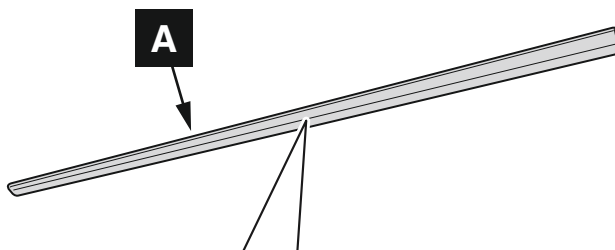


2



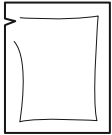

<p>1</p>	<p>< 20°C → 2</p> <p>20°C - 40°C → 4</p>	<p>2</p>
<p>3</p>	<p>20°C - 40°C → 4</p>	<p>INFO</p>

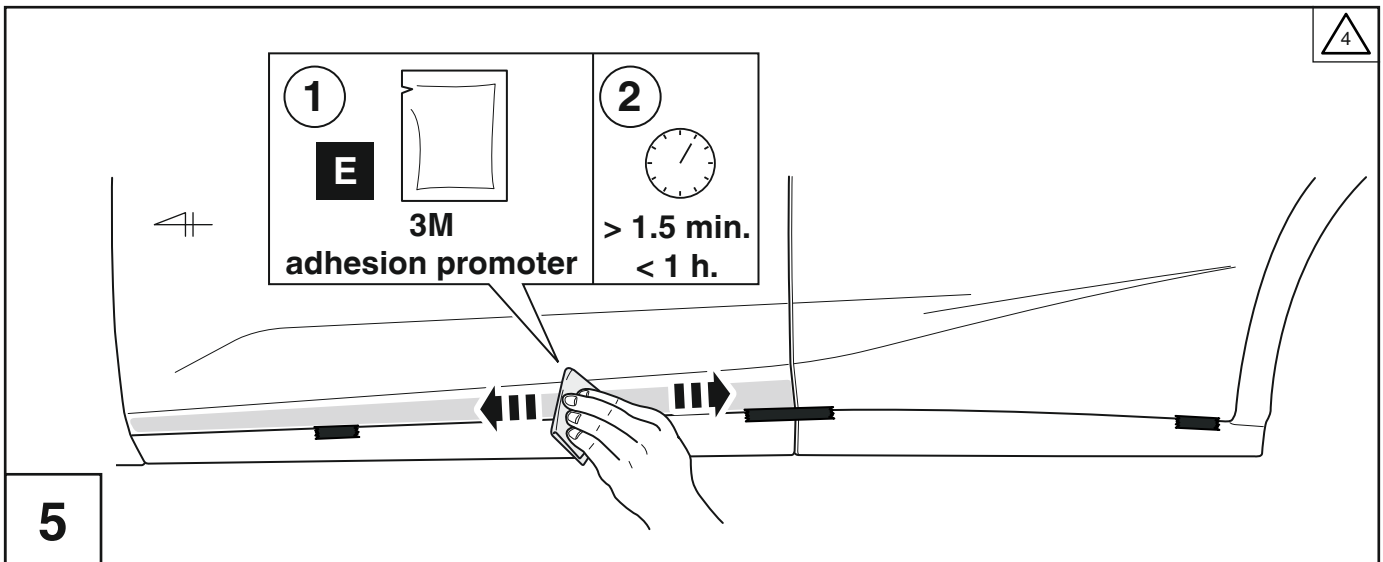
3



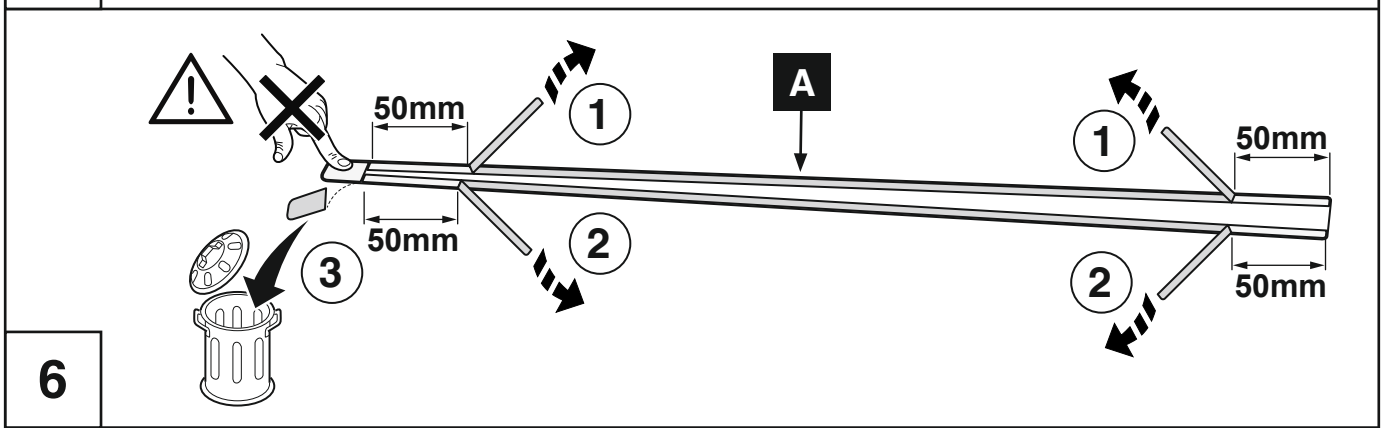
<p>1</p>	<p>< 20°C → 2</p> <p>20°C - 40°C → 5</p>	<p>2</p>
<p>3</p>	<p>20°C - 40°C → 5</p>	<p>INFO</p>

4

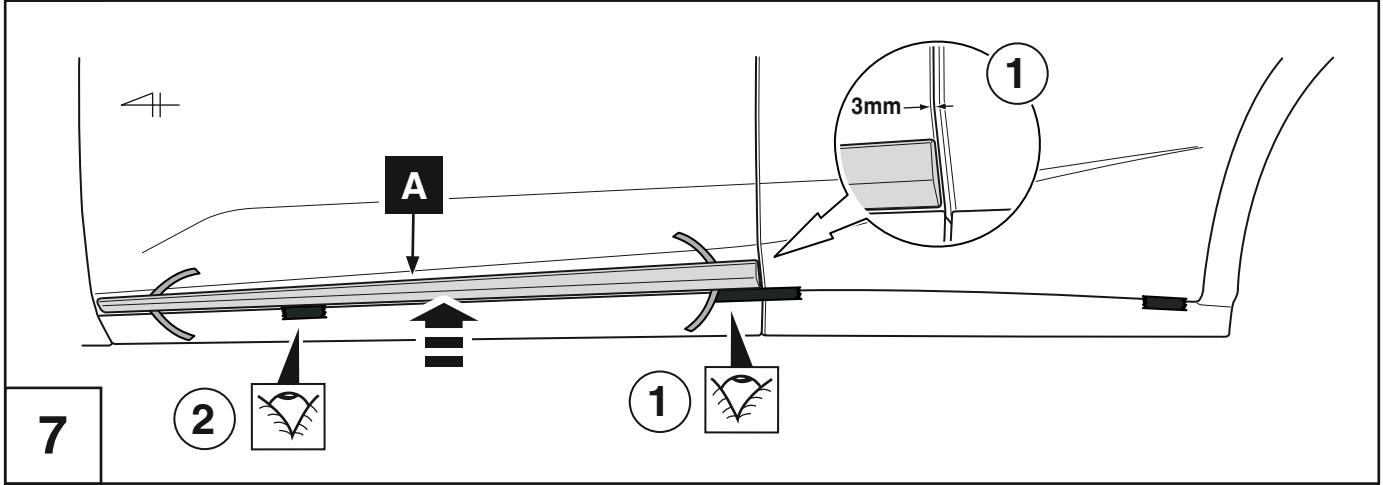
<p>1</p> <p>E</p> <p>3M</p> <p>adhesion promoter</p>		<p>2</p>  <p>> 1.5 min.</p> <p>< 1 h.</p>
-------------------------------------------------------------	-----------------------------------------------------------------------------------	----------------------------------------------------------------------------------------------------------------------------------



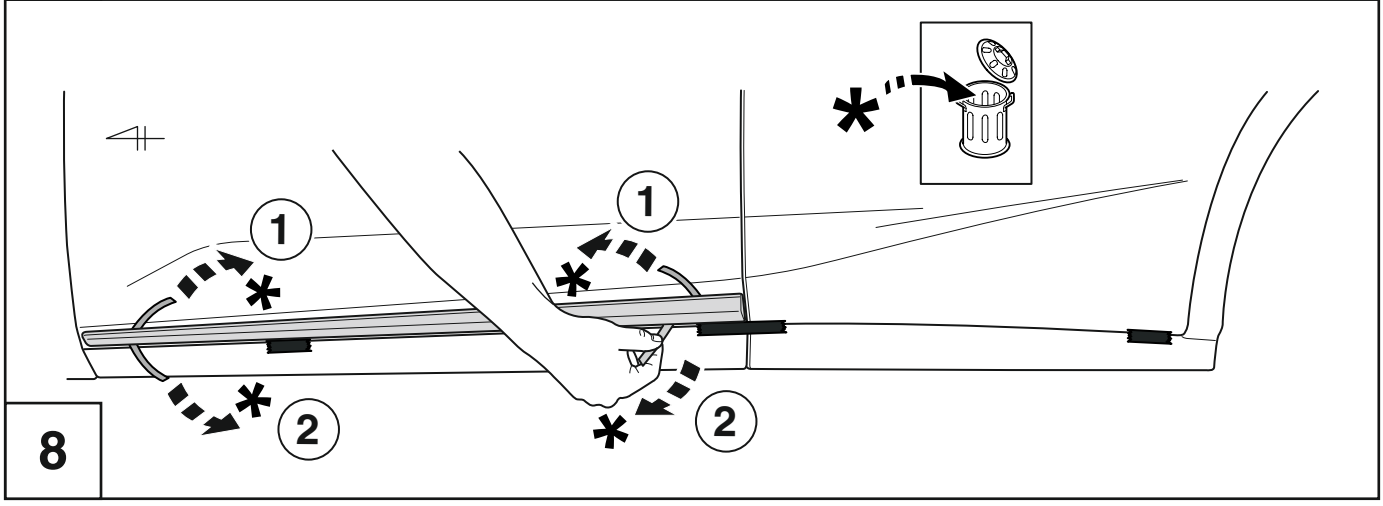
5



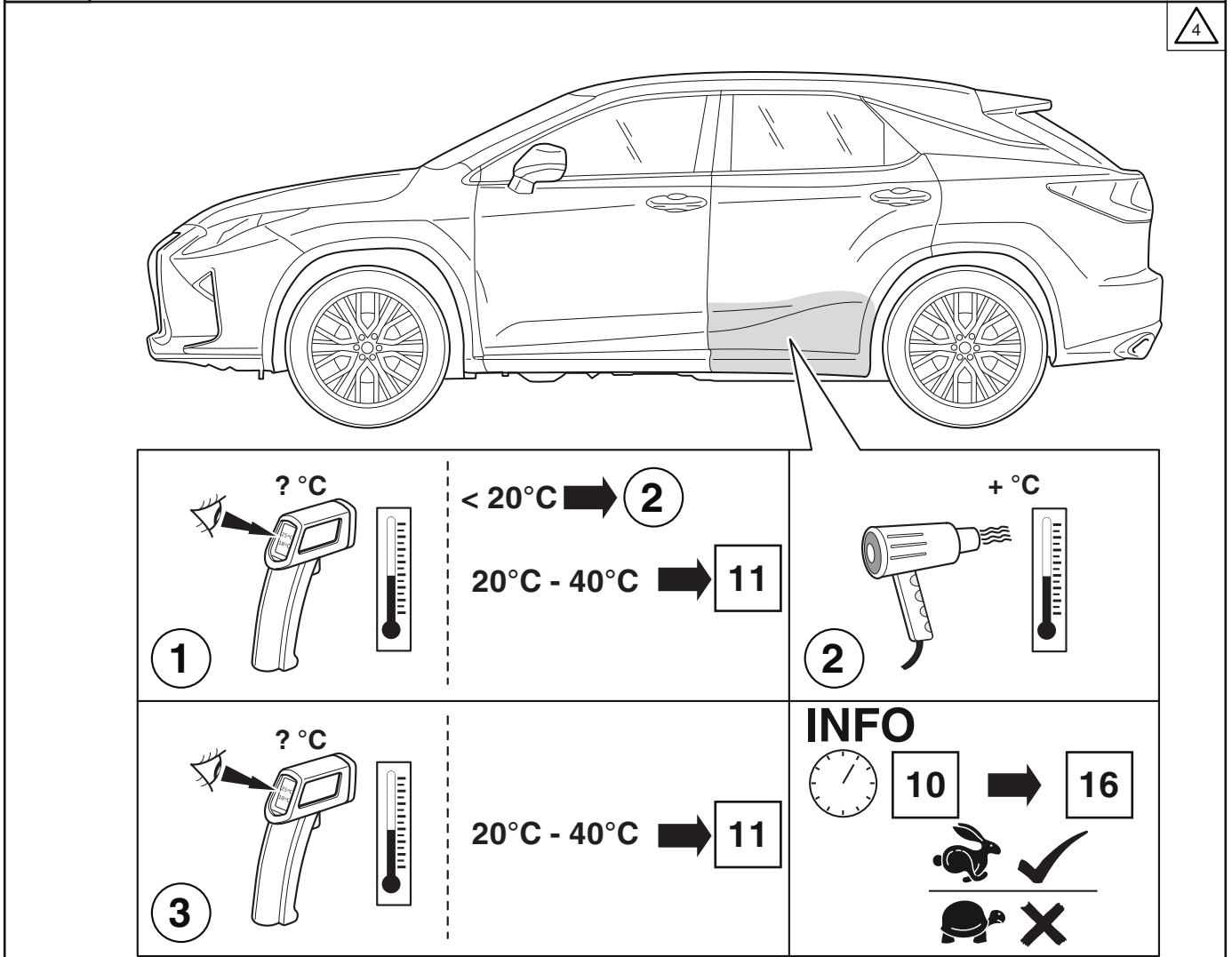
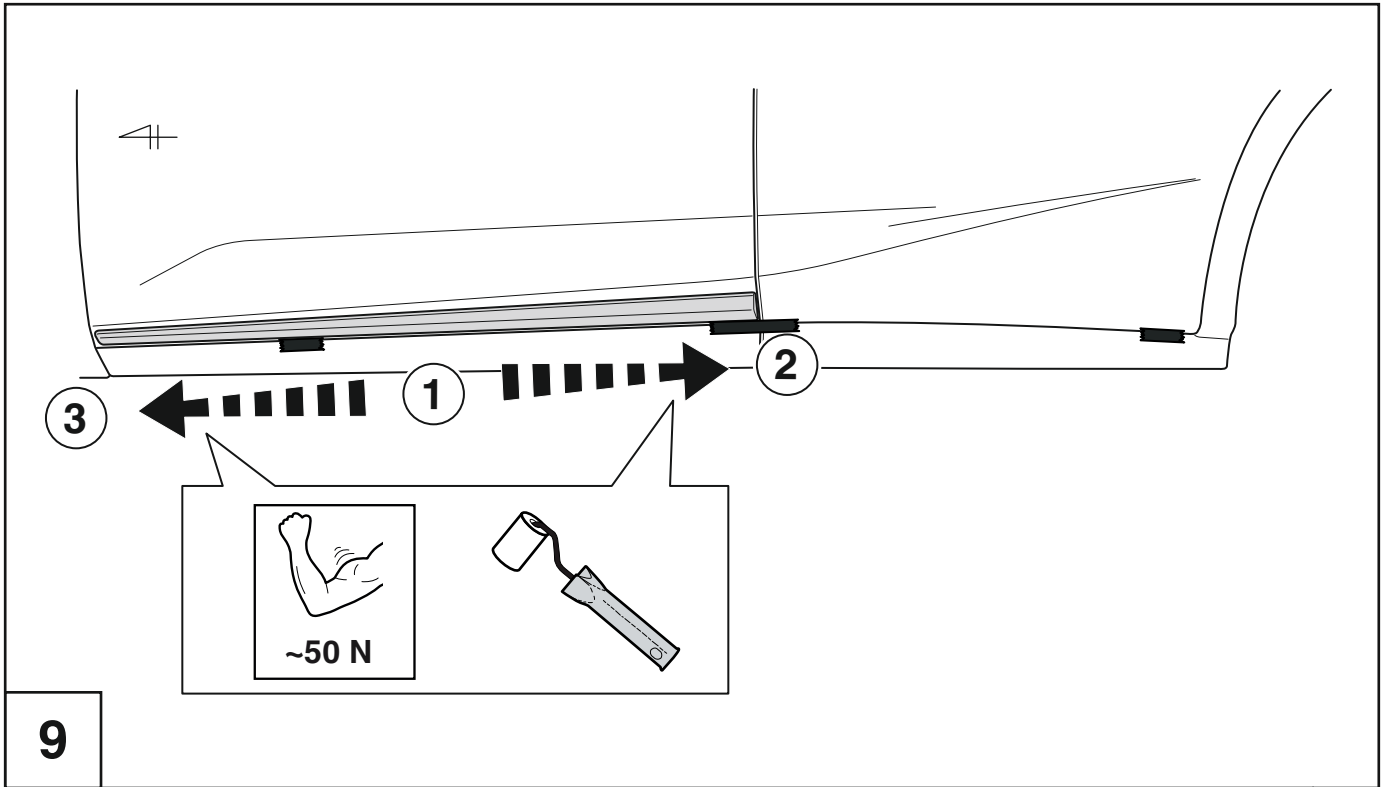
6

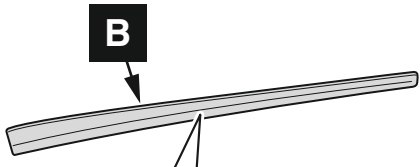


7



8



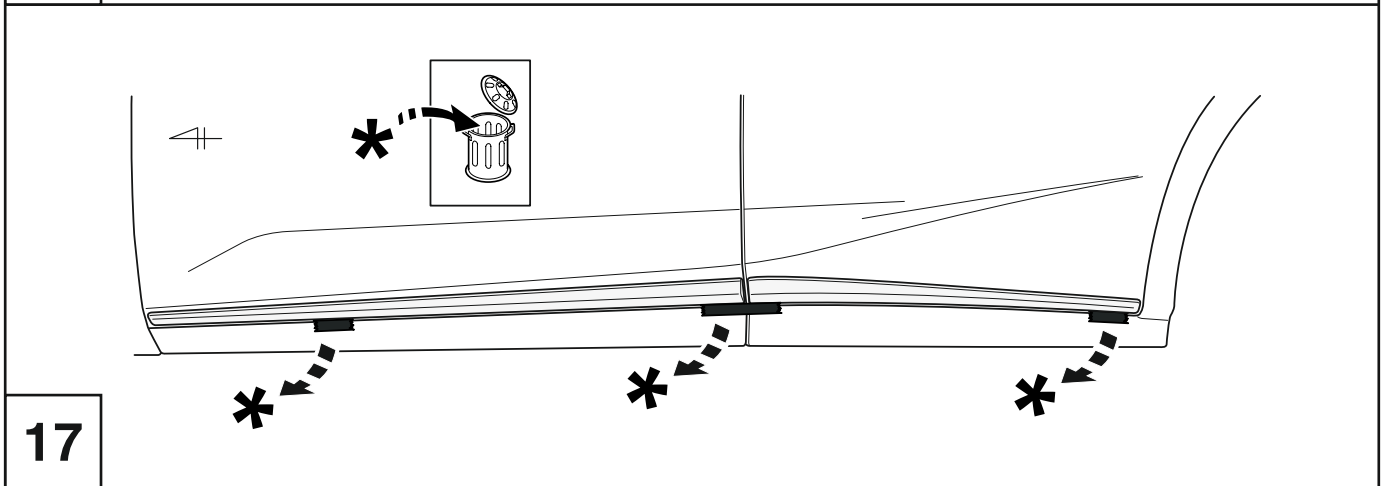
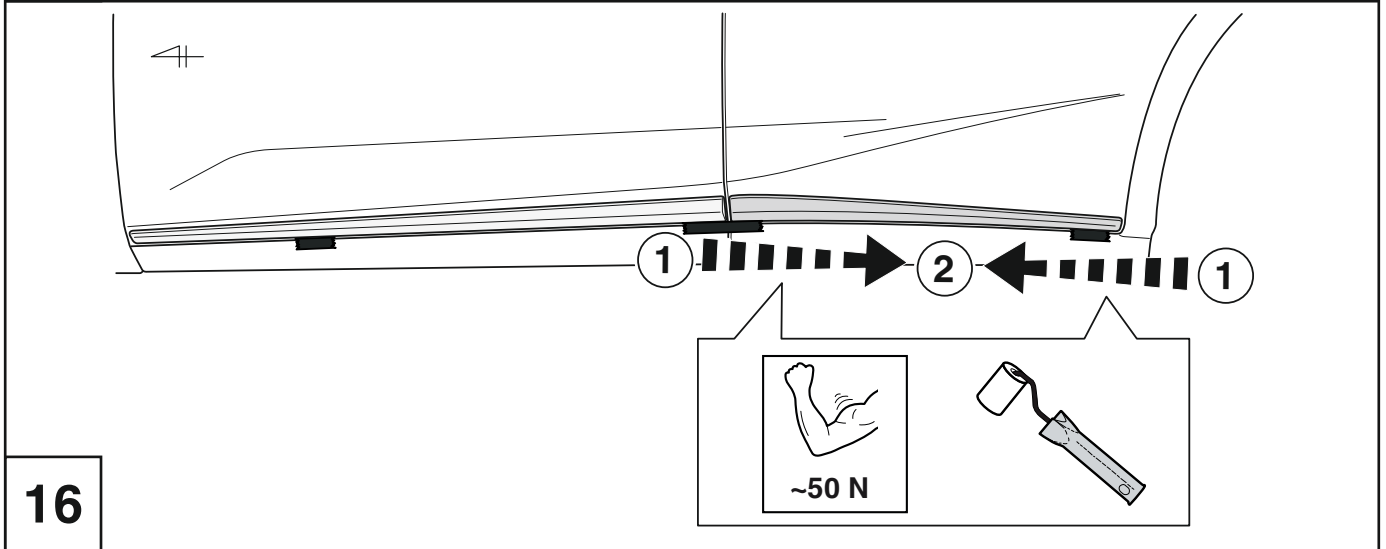
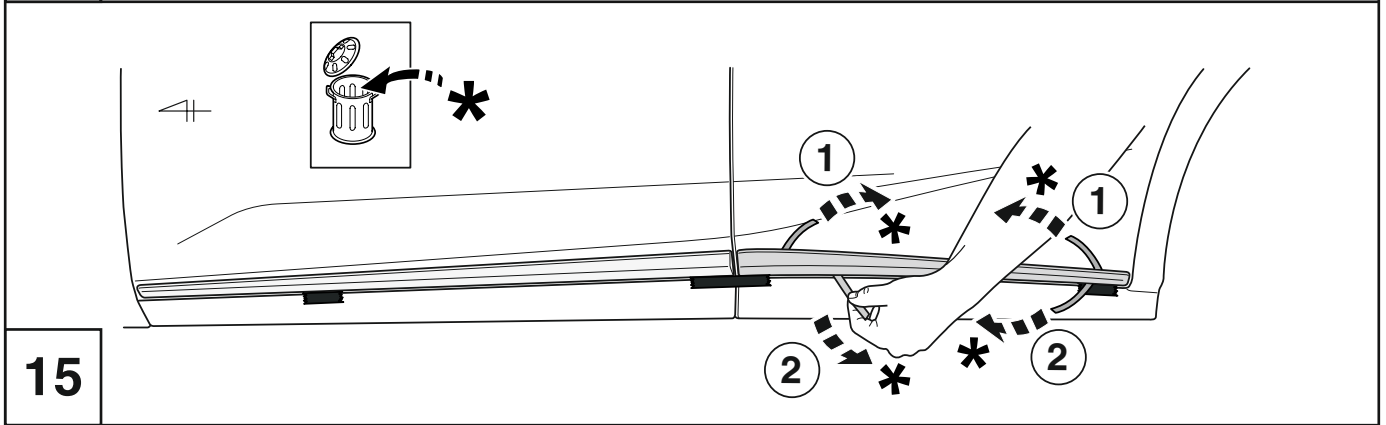
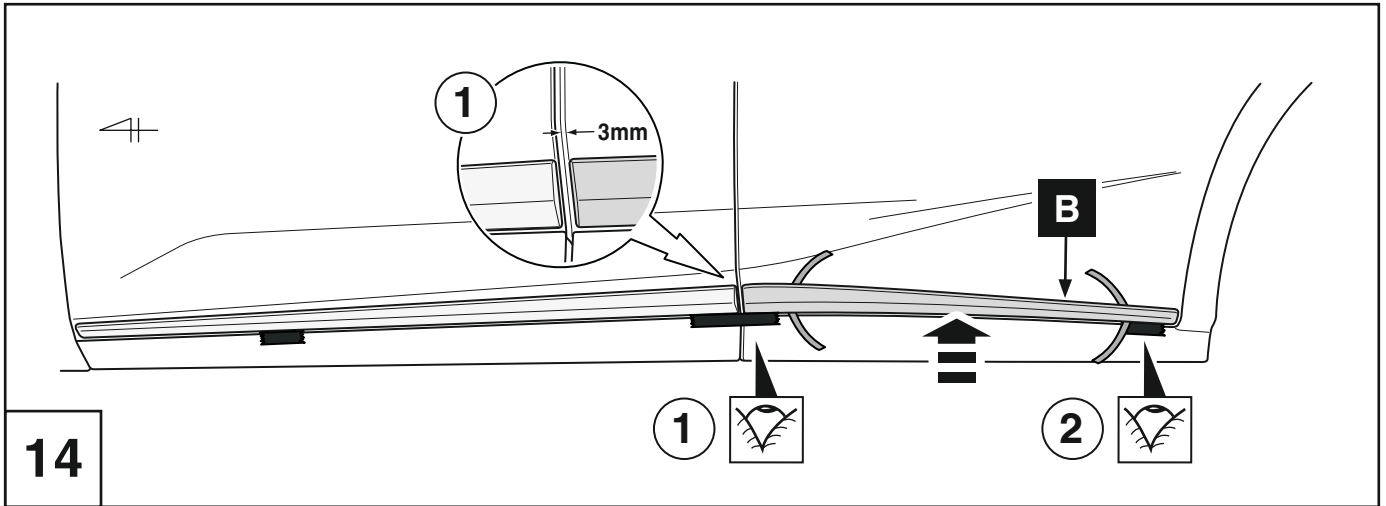


<p>1</p> <p>? °C</p>	<p>< 20°C → 2</p> <p>20°C - 40°C → 12</p>	<p>2</p> <p>+ °C</p>
<p>3</p> <p>? °C</p>	<p>20°C - 40°C → 12</p>	<p>INFO</p> <p>11 → 16</p>

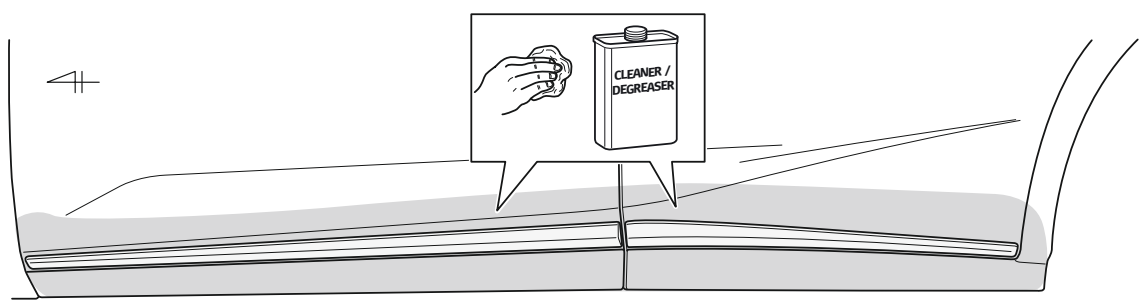
11

12

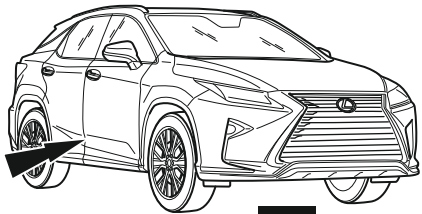
13



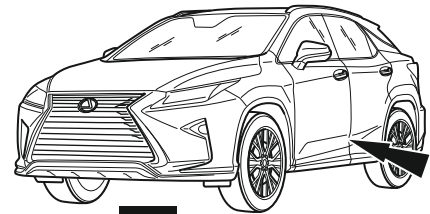
18



19

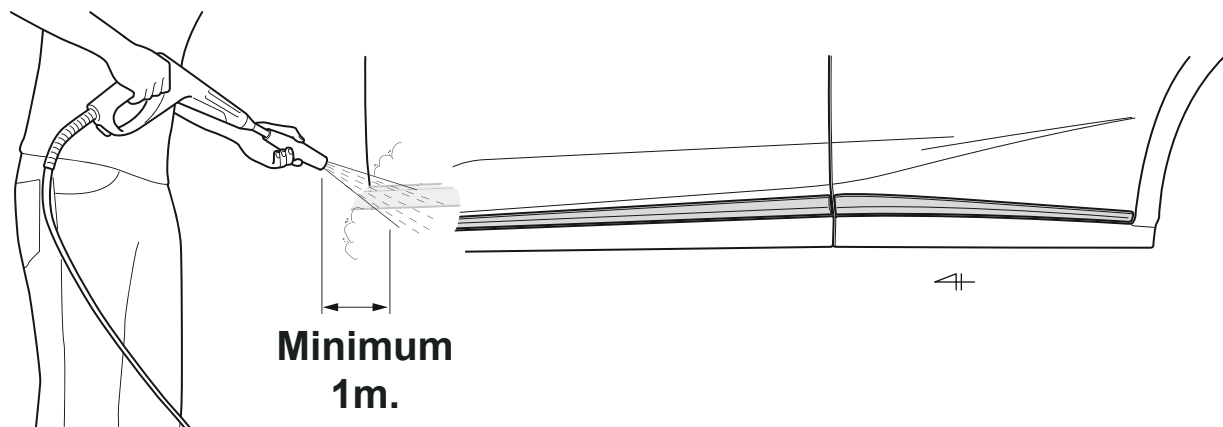
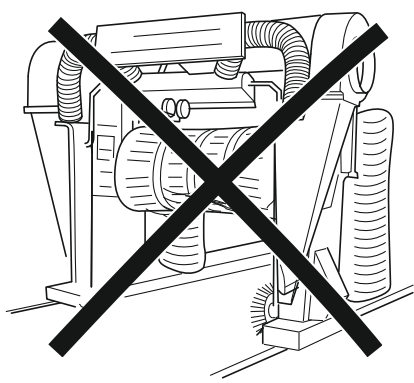
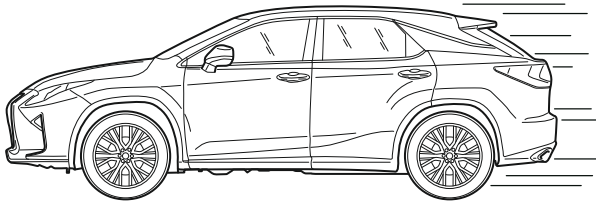
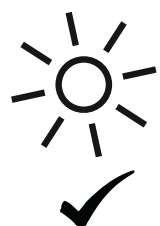
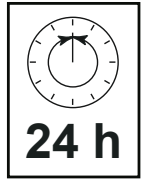
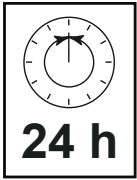
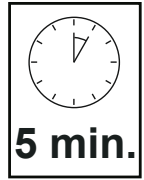


C



A

D RHS = LHS B



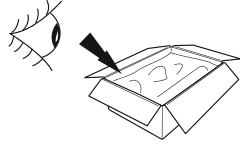
CHECK SHEET Page 1 of 1

Model/Year **RX 2015/09, 2019/08**
RX L 2017/12, 2019/08

Side sills

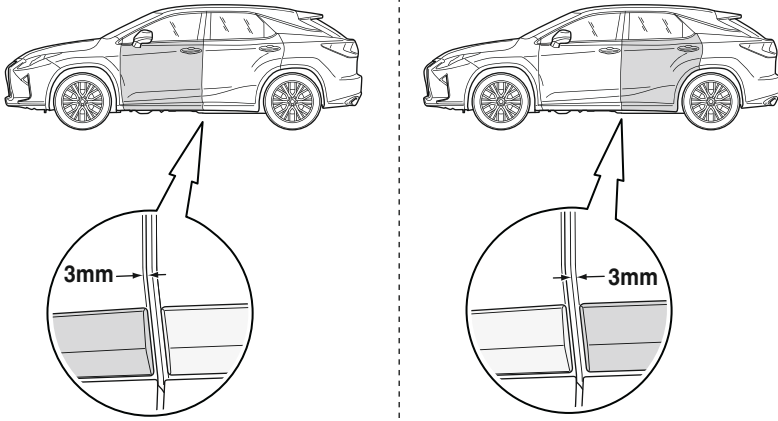
VIN n°

DURING INSTALLATION

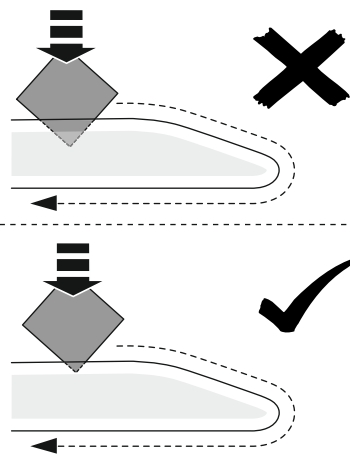


1 P/N = OK

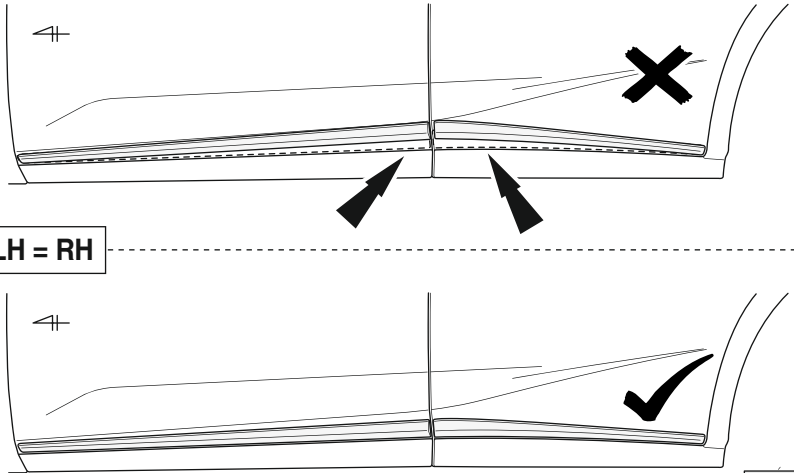
AFTER INSTALLATION



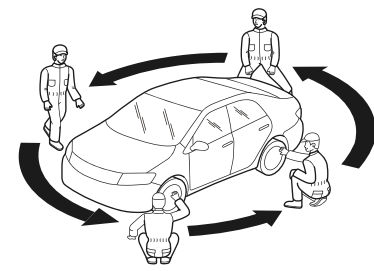
1 LH = RH



2



3 LH = RH



4

Installation Date:
 . . / . . /

Technician Name & Signature:

Stamp: