

Rear bumper protection plate (stainless steel) INSTALLATION INSTRUCTIONS LS

Model year as from 2017/09
Vehicle code **F***-AE*G*W
Part number PW178-50000

Revision Record

Rev. No.	Date	Page	Step	Remarks
①	02.09.20	1		Model year updated
①	02.09.20	2		Tools updated
①	02.09.20	3, 6, 7	9, 10	Step updated
①	02.09.20	11	C/S	CheckSheet updated

PW178-50000

A

B 1x

adhesion promoter

		 AIM 003 517-*	

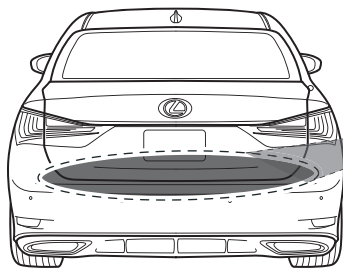
INFO



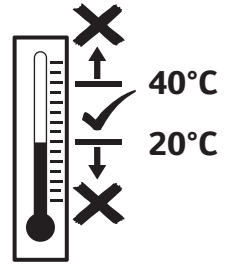
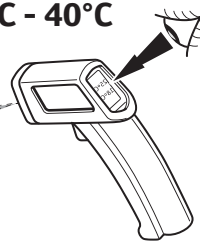
Material Safety Data Sheet



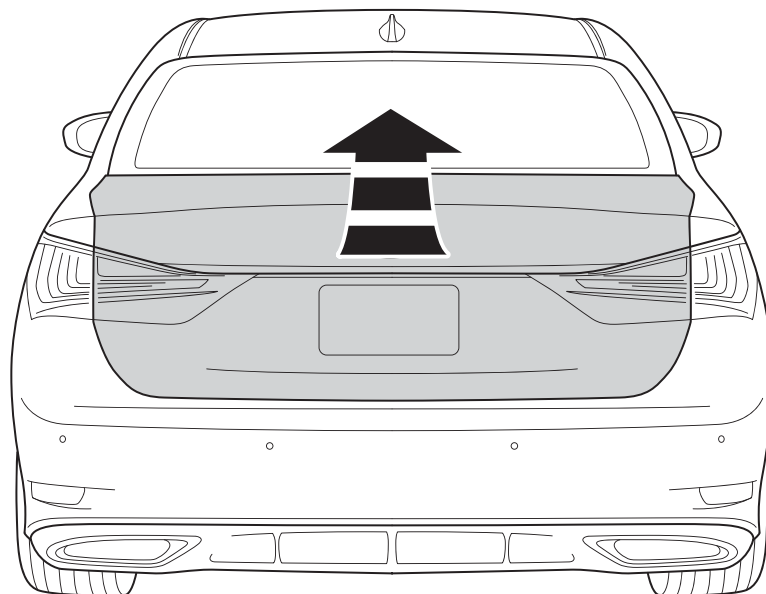
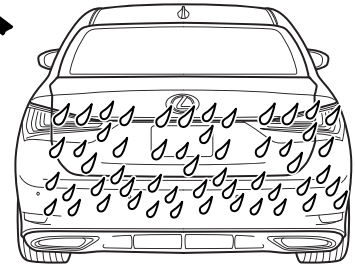
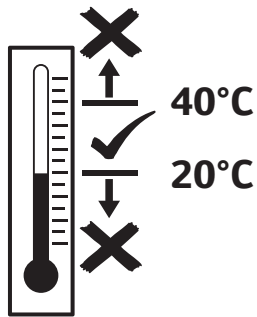
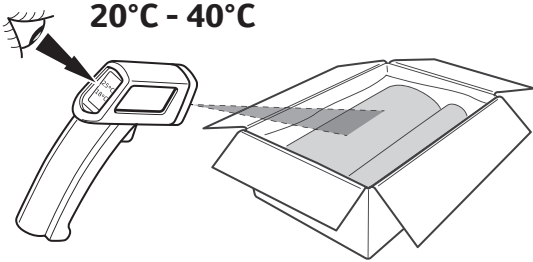
Technical Data Sheet



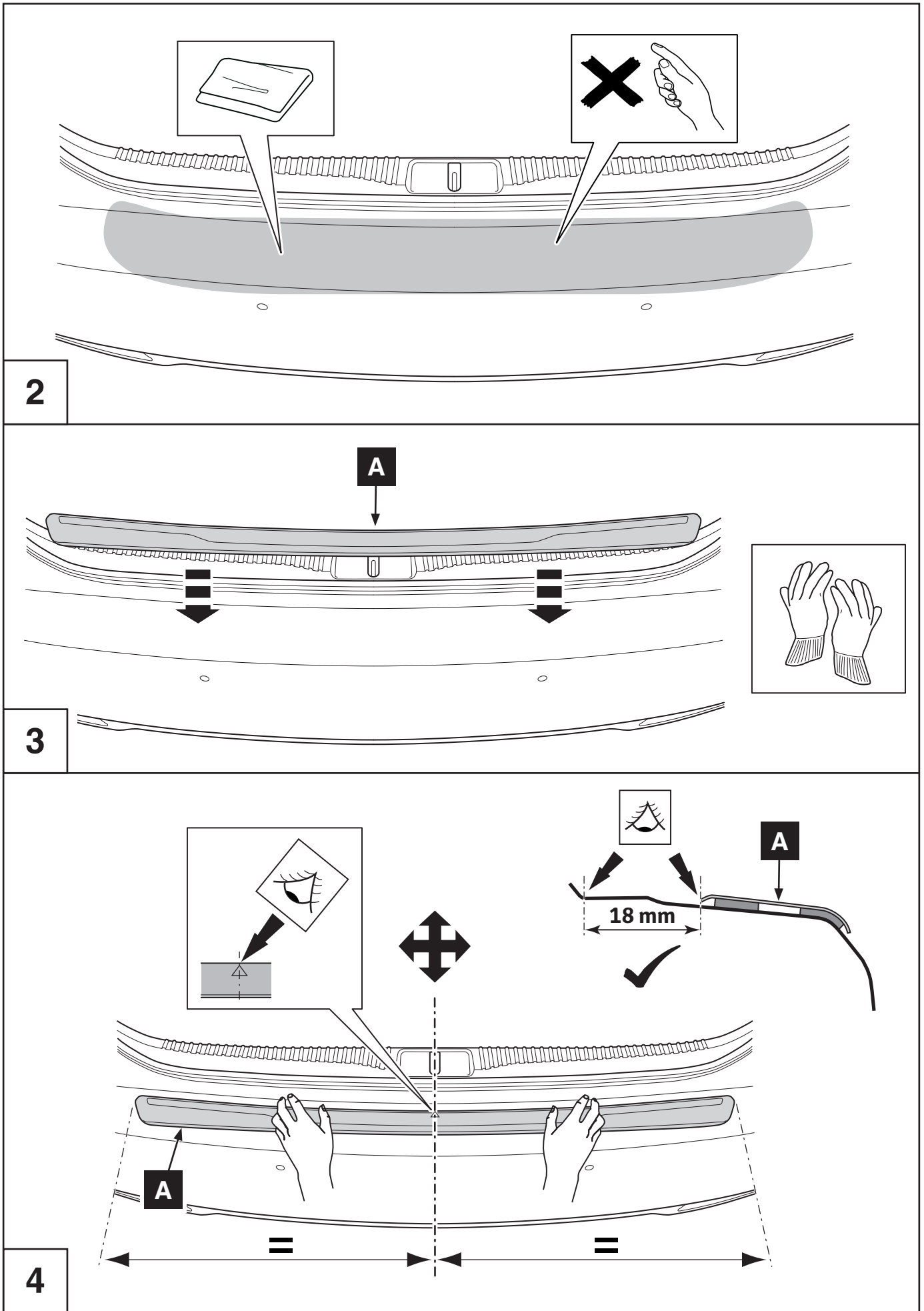
20°C - 40°C

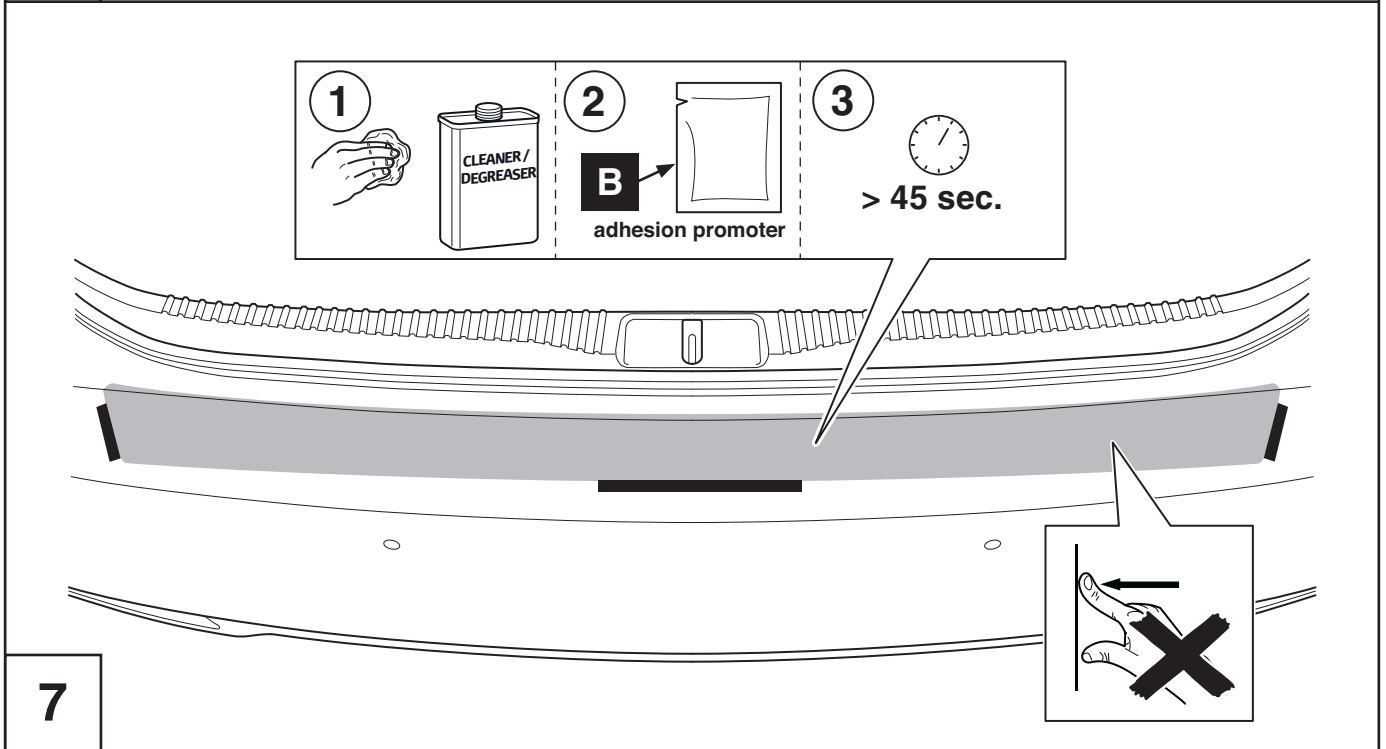
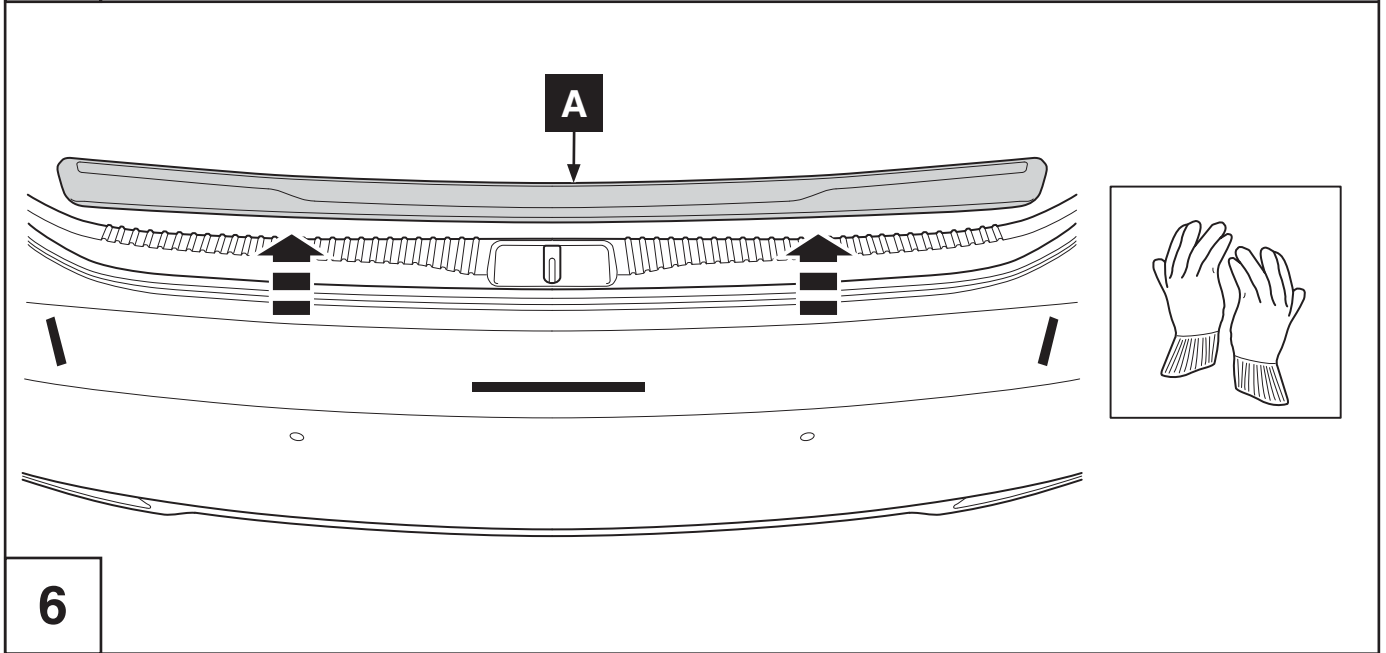
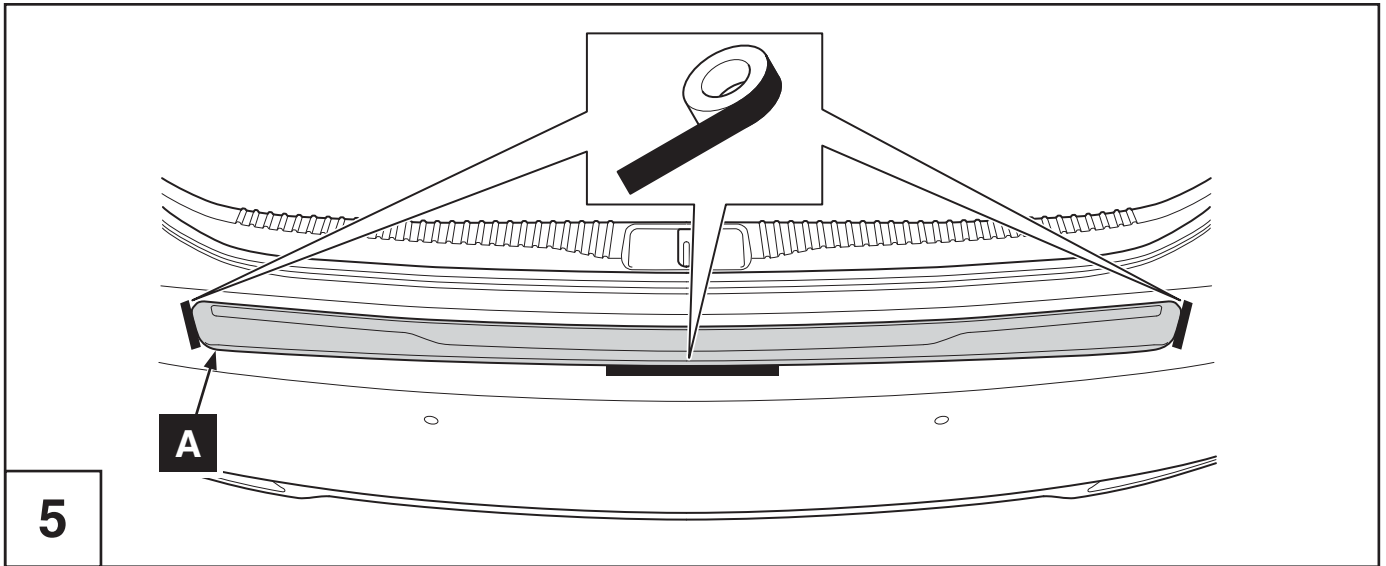


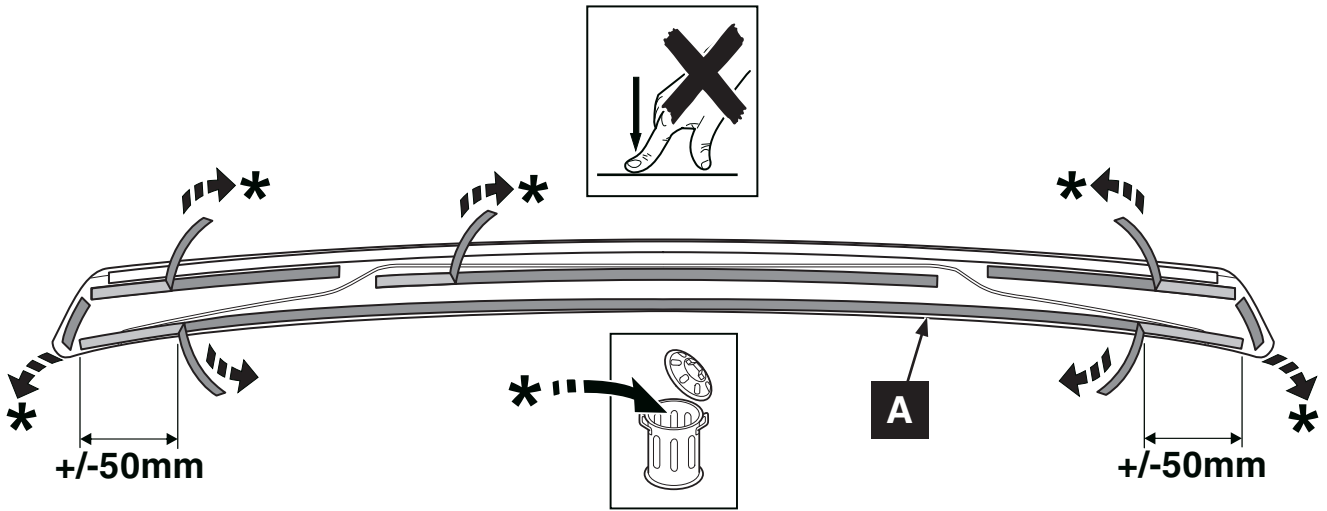
20°C - 40°C



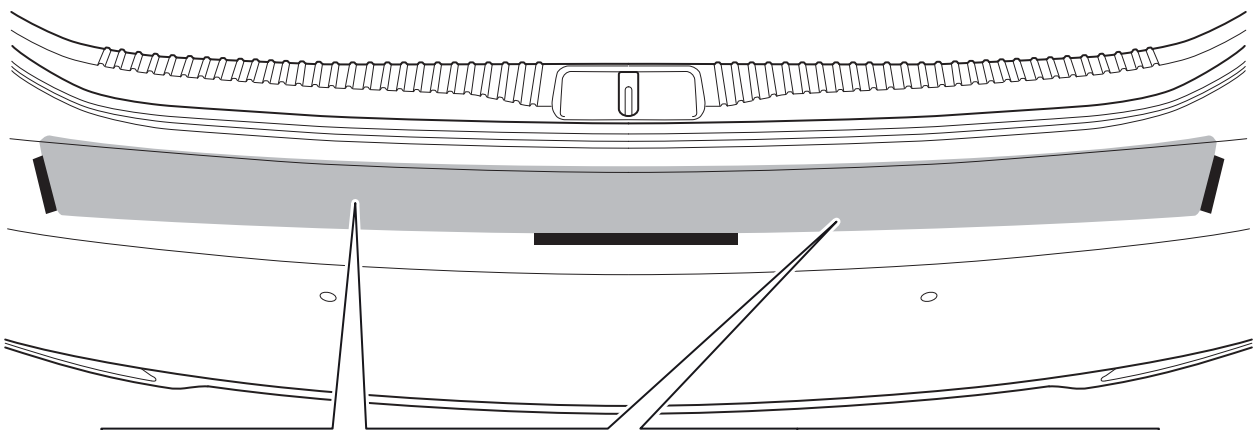
1





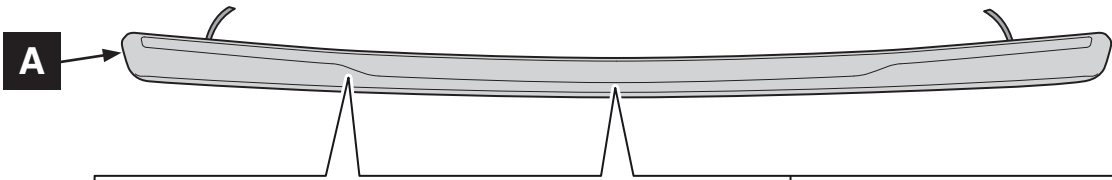


8



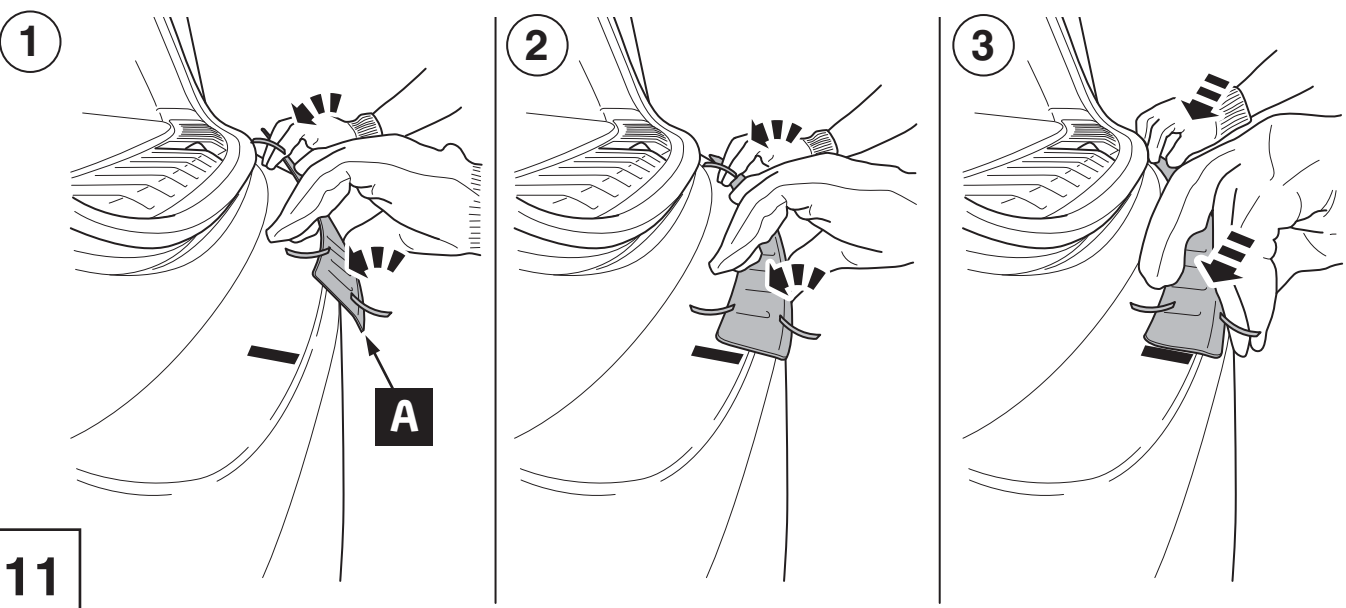
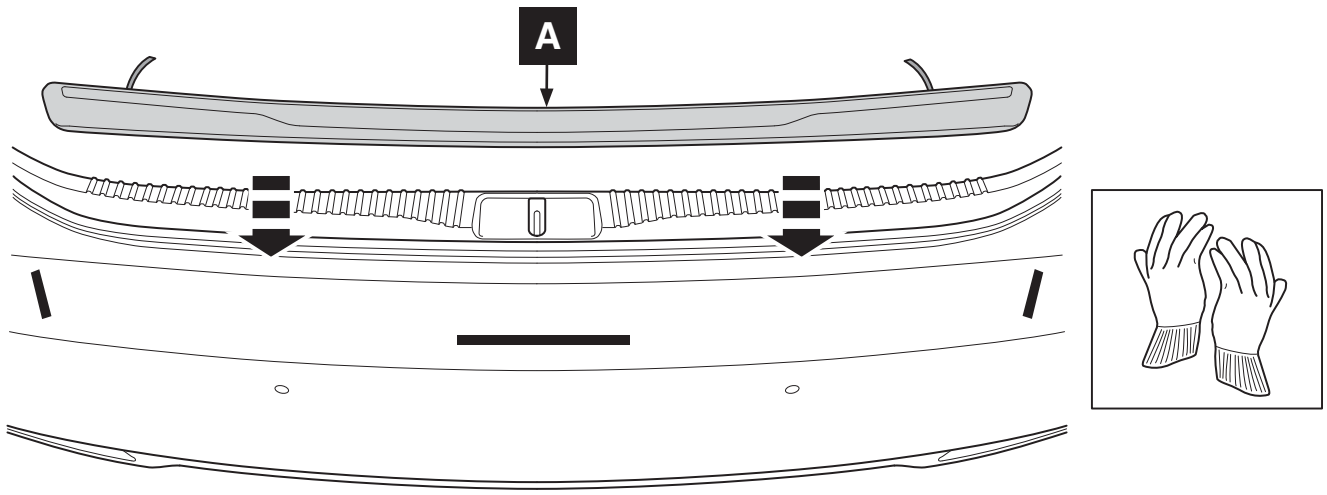
<p>1</p>	<p>$< 20^{\circ}\text{C}$ → 2</p> <p>$20^{\circ}\text{C} < 40^{\circ}\text{C}$ → 10</p>	<p>2</p>
<p>3</p>	<p>$20^{\circ}\text{C} < 40^{\circ}\text{C}$ → 10</p>	<p>INFO</p>

9

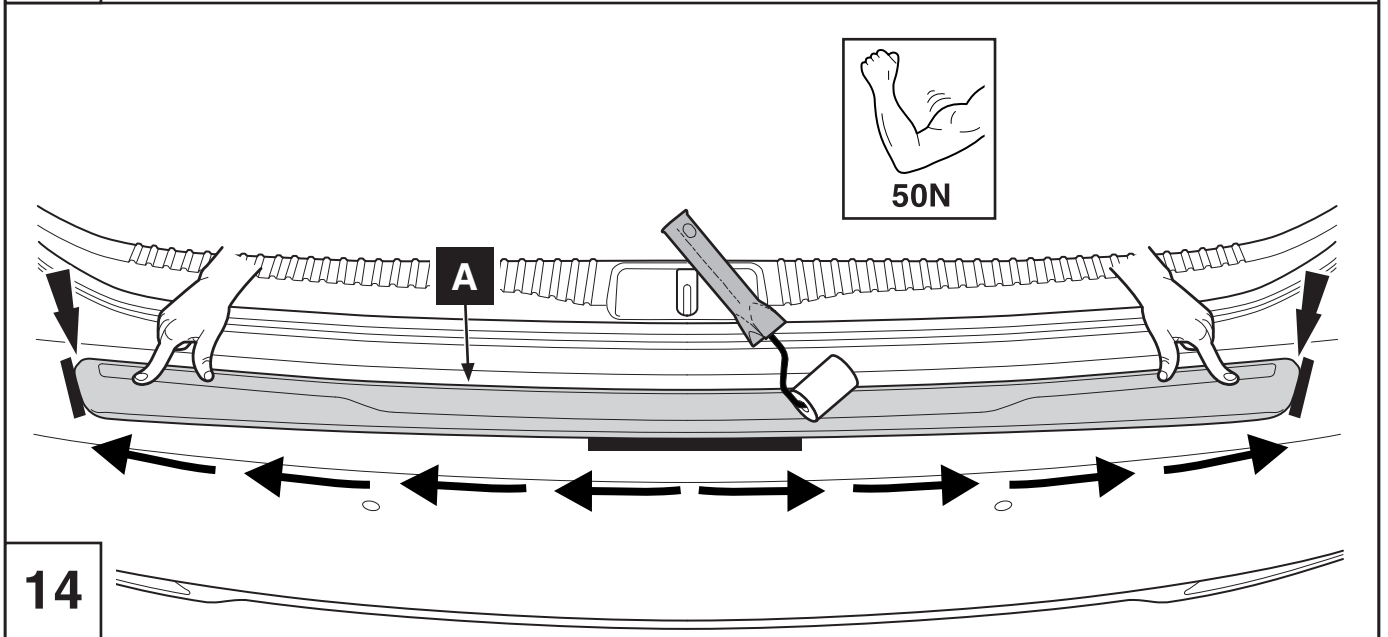
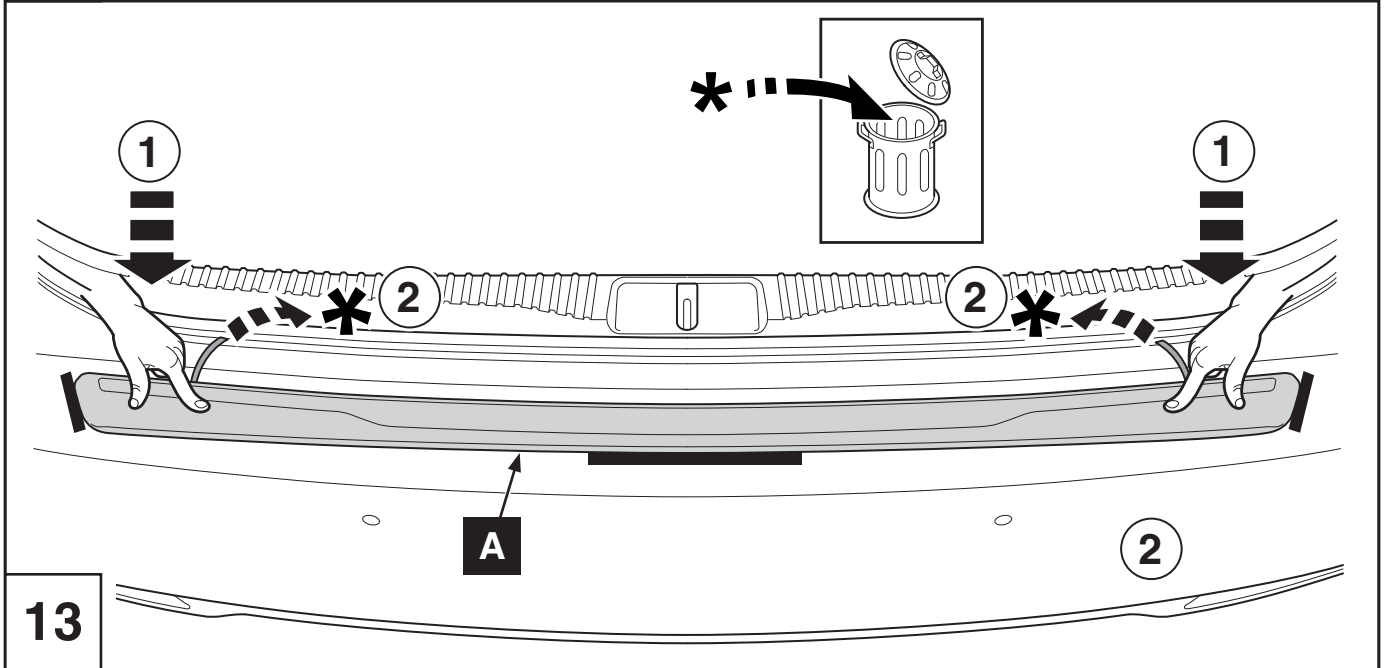
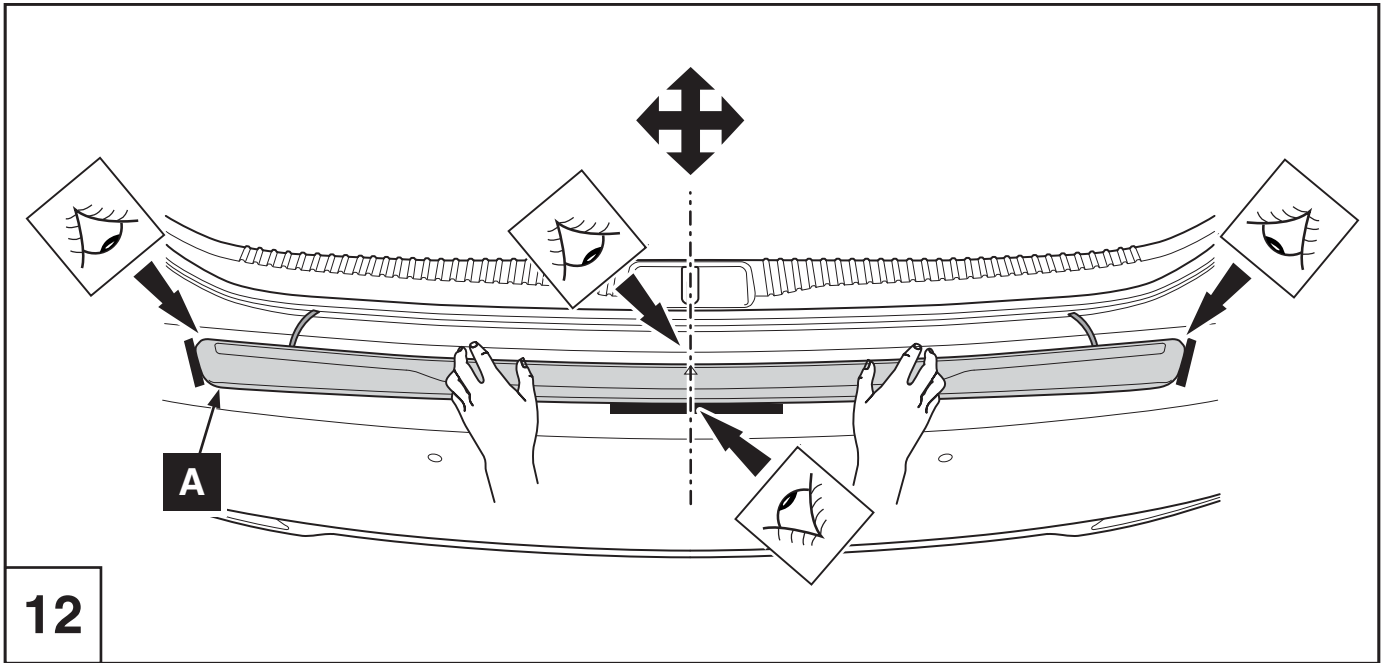


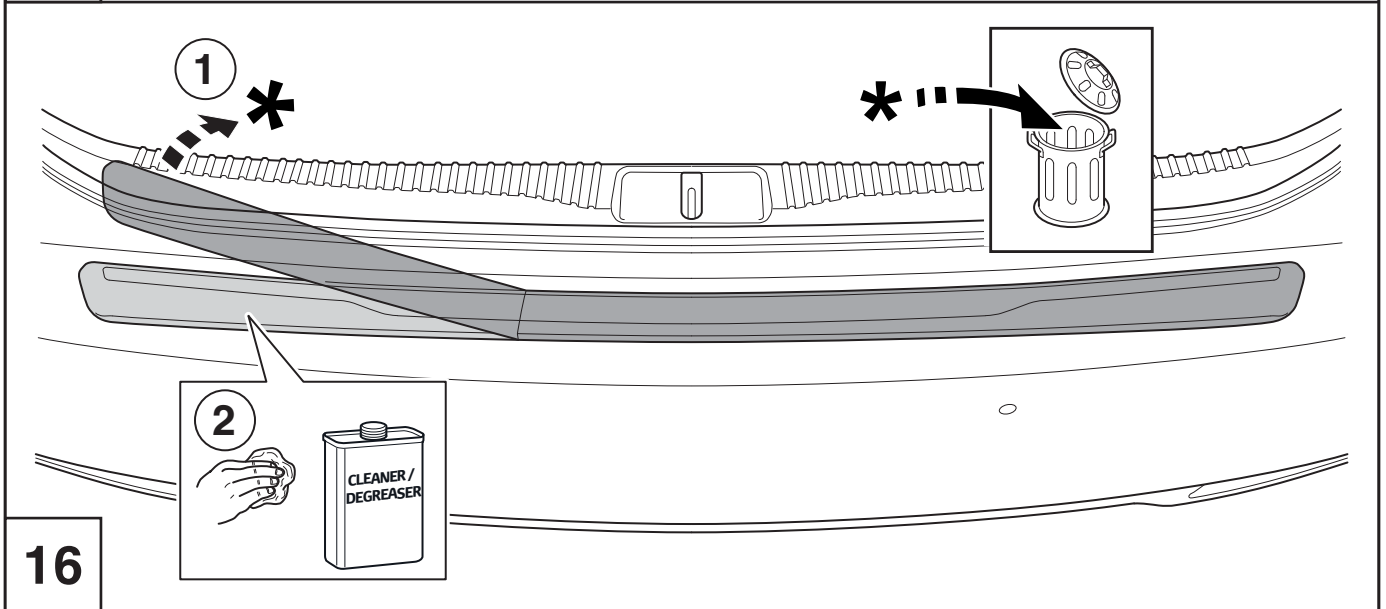
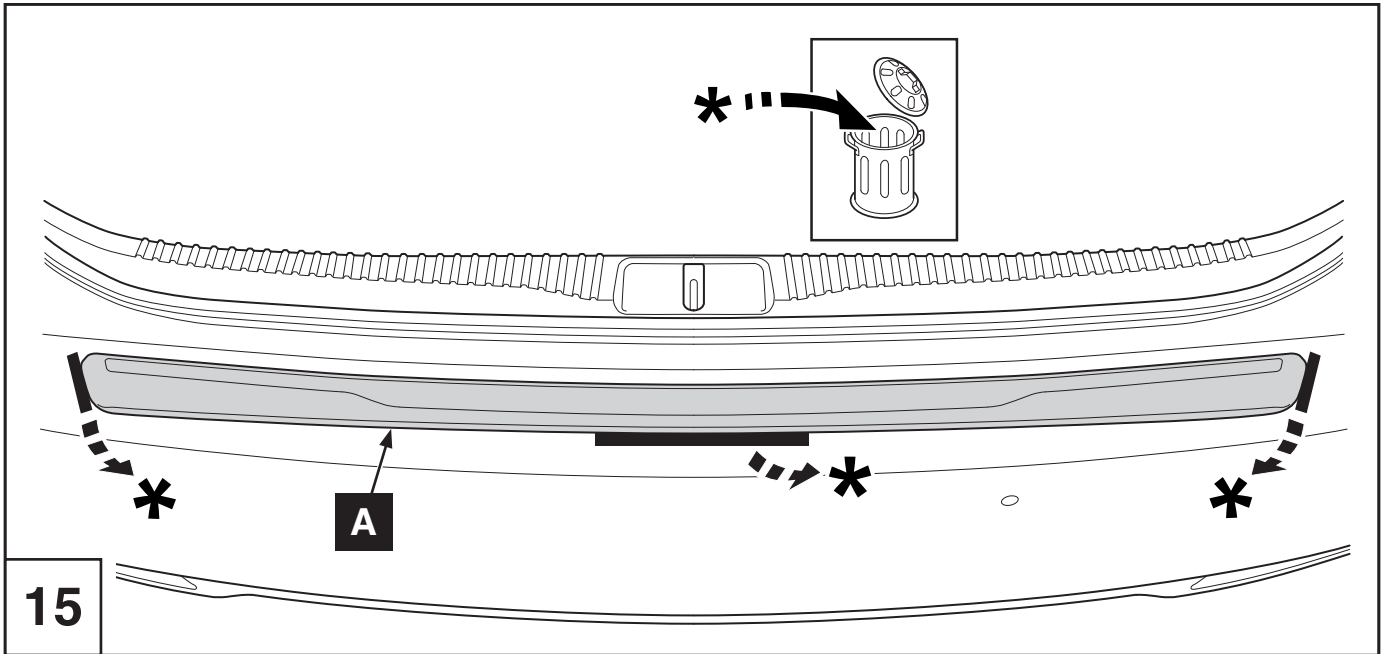
<p>1</p>	<p>< 20°C → 2</p> <p>20°C < 40°C → 11</p>	<p>2</p>
<p>3</p>	<p>20°C < 40°C → 11</p>	<p>INFO</p> <p>10 → 14</p>

10



11





INFO

<p>24 h</p>	<p>24 h</p>	<p>24 h</p>



Model / Year



LS

Rear bumper protection plate
(stainless steel)

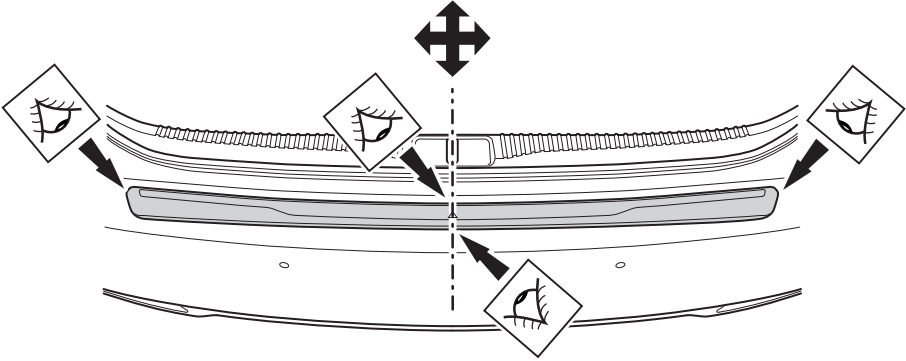
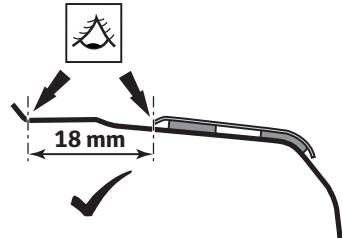
as from 2017/09

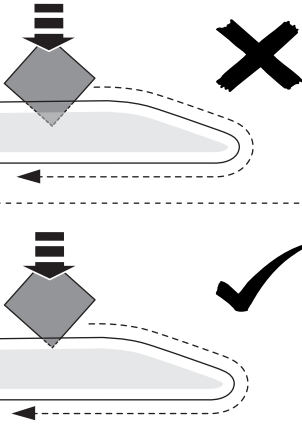
VIN n°

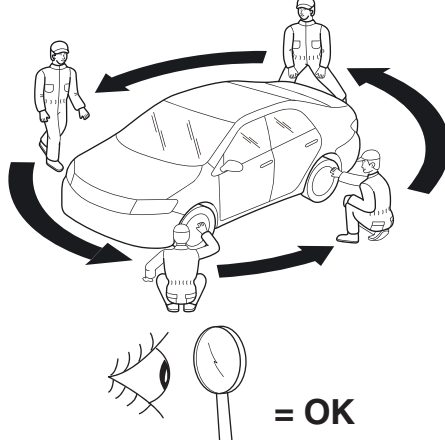
DURING INSTALLATION

1  P/N = OK 

AFTER INSTALLATION

1  

2 

3  = OK

Installation Date:
... / ... / ...

Technician Name & Signature:

Stamp: