

# Rear Chrome Garnish INSTALLATION INSTRUCTIONS NX

Model year	2014/07, 2017/09
Vehicle code	**Z1** - AW***W
Part number	PZ415-X2491-00

# Revision Record

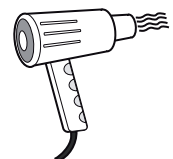
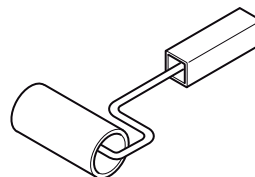
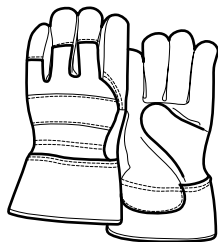
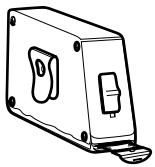
Rev. No.	Date	Page	Picture	Update	New	Deleted
1	18.08.17	1-7, 9	2-5, 8-11	X		
1	18.08.17	4, 5, 8	6, 7		X	

PZ415-X2491-00

**A**



1x

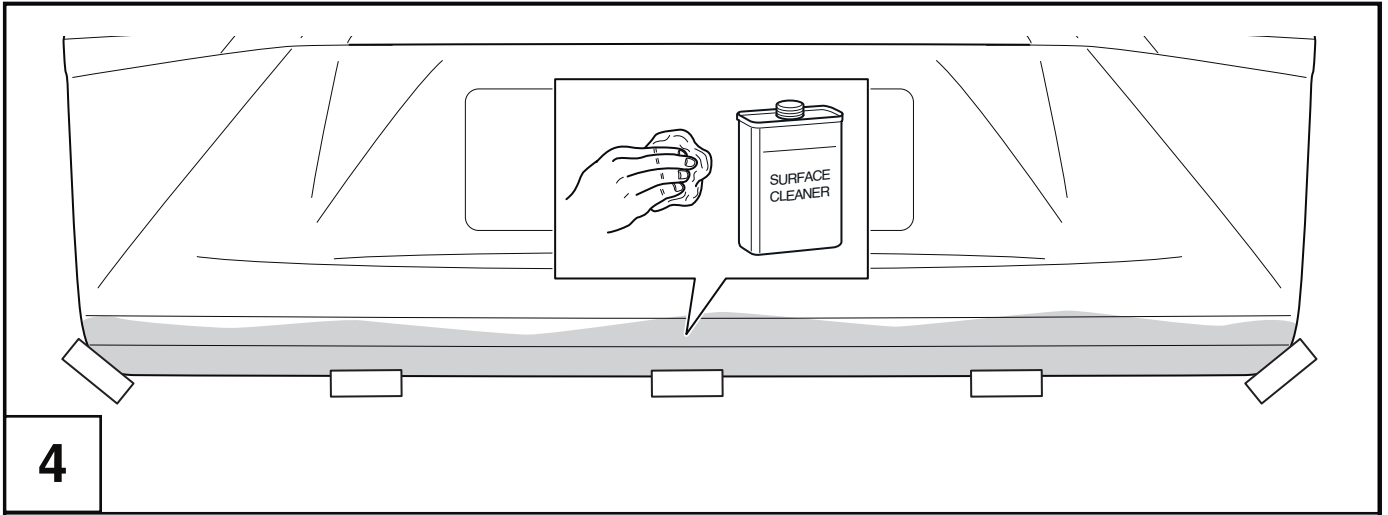


A warning triangle with an exclamation mark and an eye icon is shown next to two documents labeled "MSDS" and "TDS". To the right, a thermometer indicates a temperature range from 20°C to 40°C. The 20°C mark has a checkmark and a downward arrow, while the 40°C mark has an 'X' and an upward arrow. Further right, a sun icon has a checkmark, and a rain icon has an 'X'.

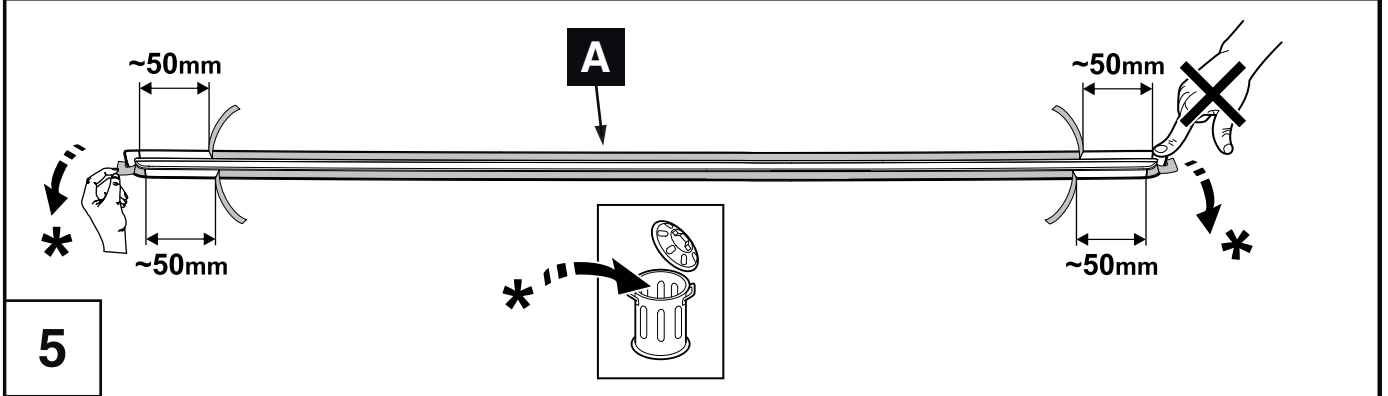
**1** A line drawing of a Lexus SUV is shown from a rear three-quarter view. A callout box highlights the rear panel. A larger, shaded drawing of the rear panel shows the Lexus logo and a license plate area, with a dashed arrow pointing to the center of the panel.

**2** A shaded drawing of the rear panel from step 1 is shown. A callout box shows a hand applying a liquid from a can labeled "SURFACE CLEANER" to the surface.

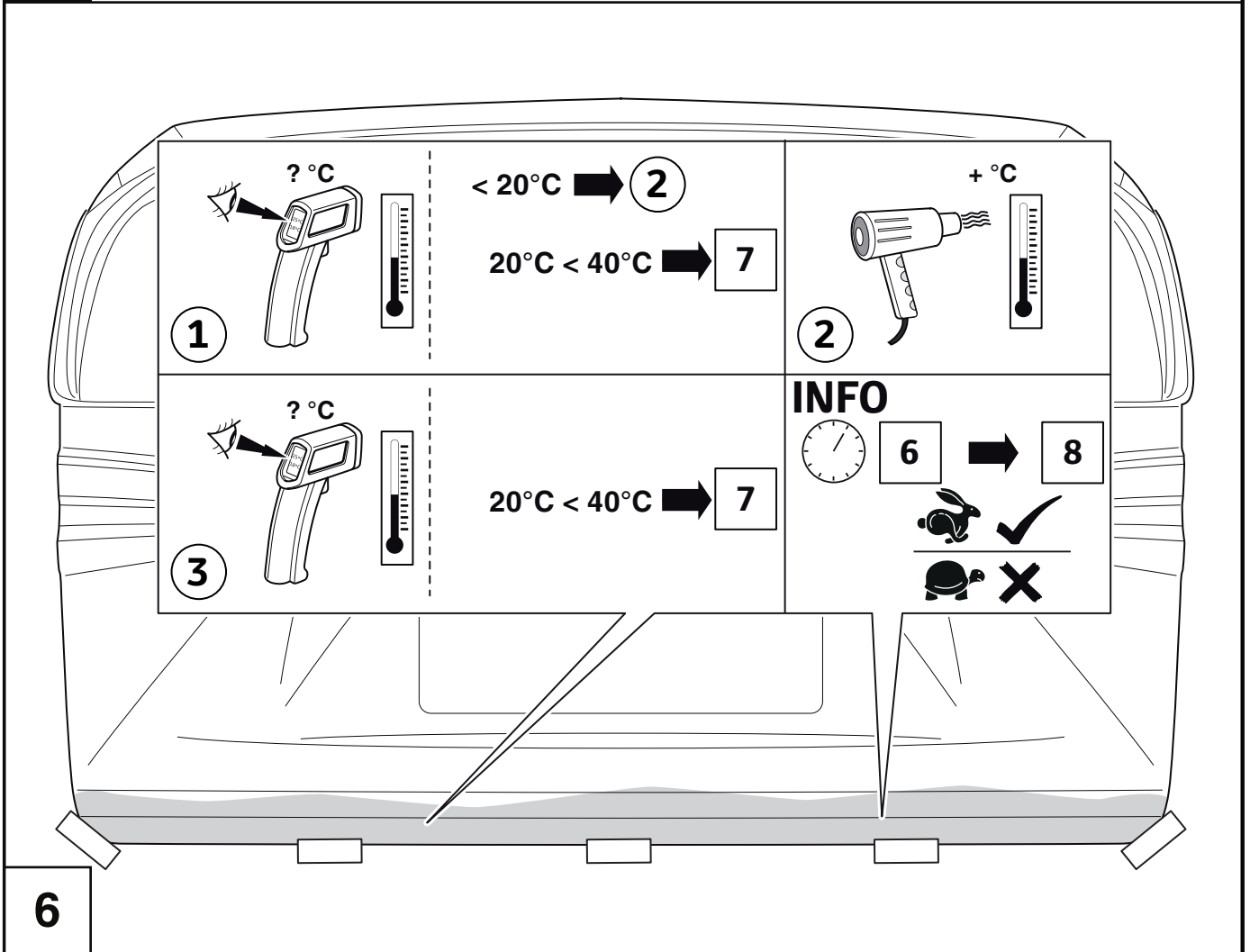
**3** A line drawing of the rear panel with a roll of adhesive tape being applied. Five callout boxes indicate a 2mm gap between the adhesive strips at the corners and between the strips.



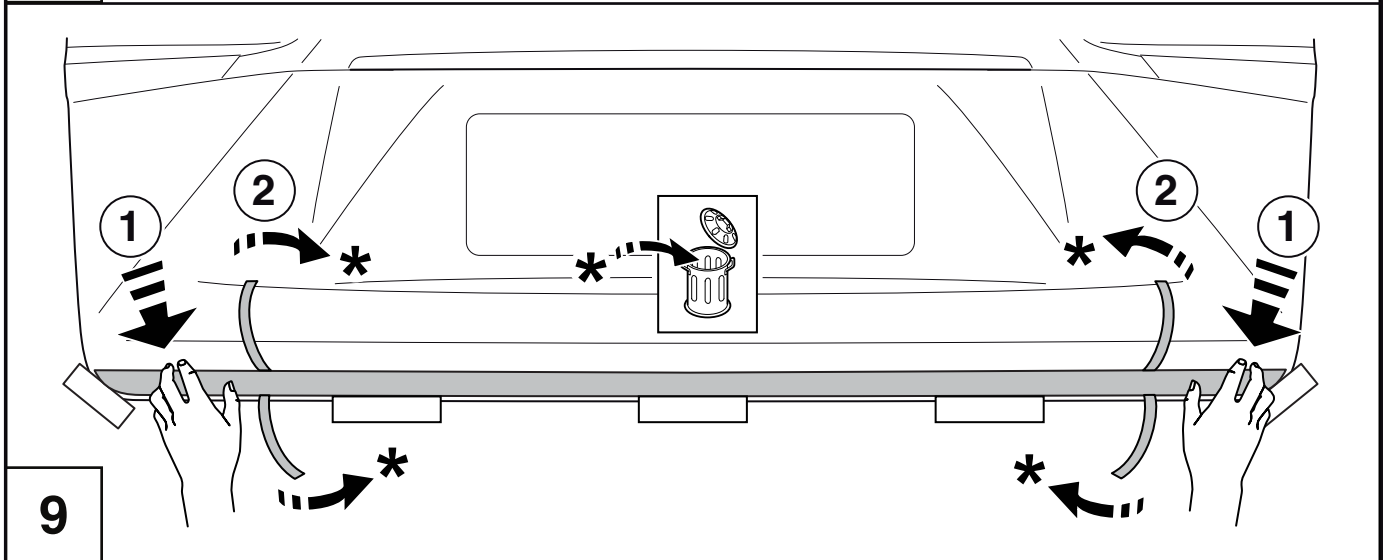
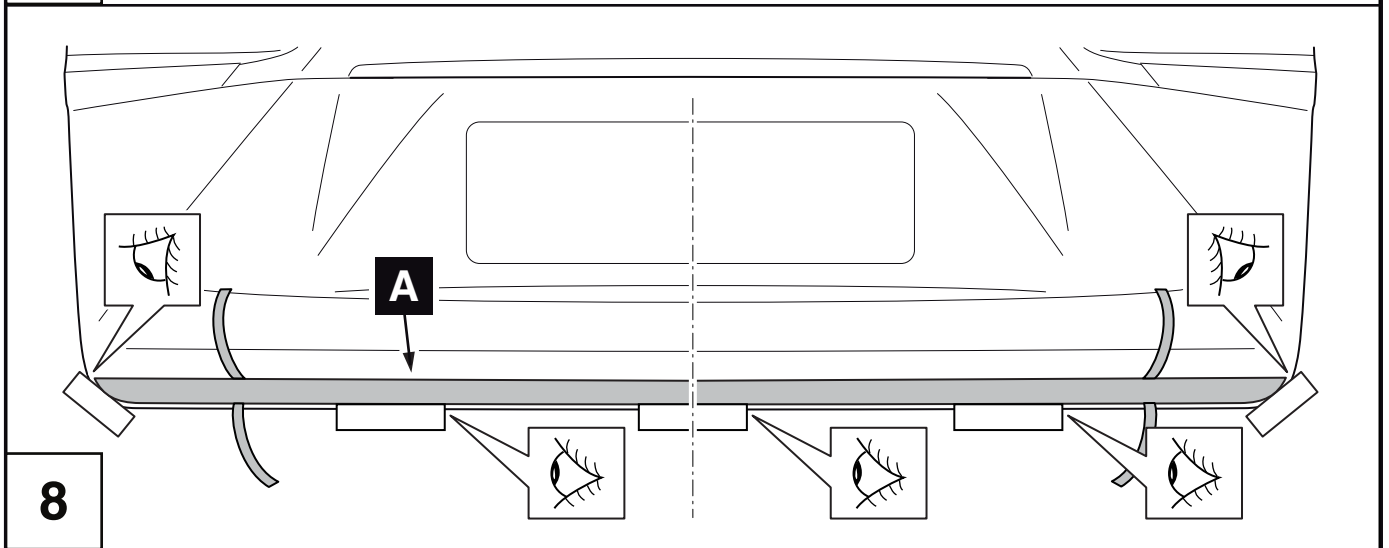
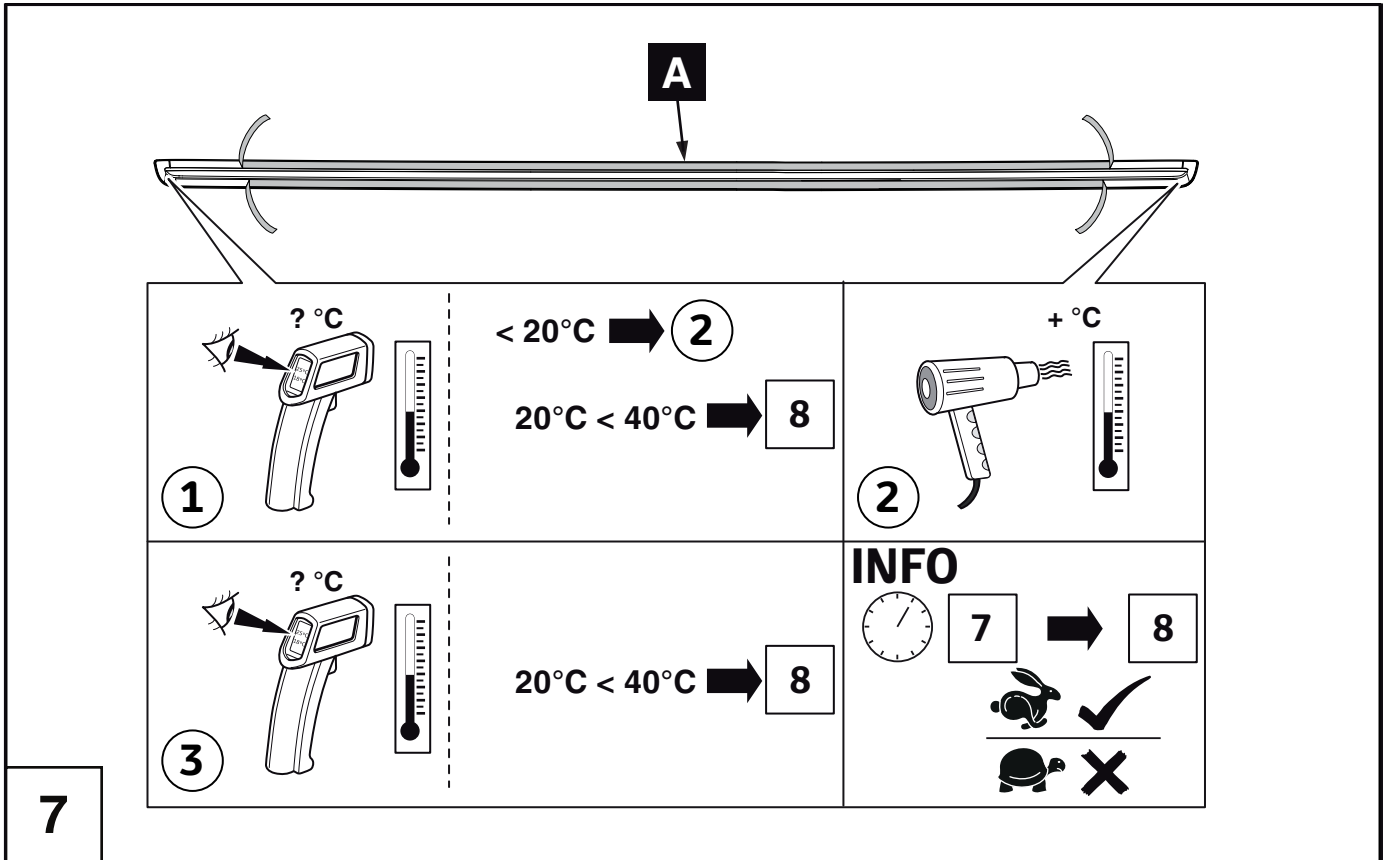
4

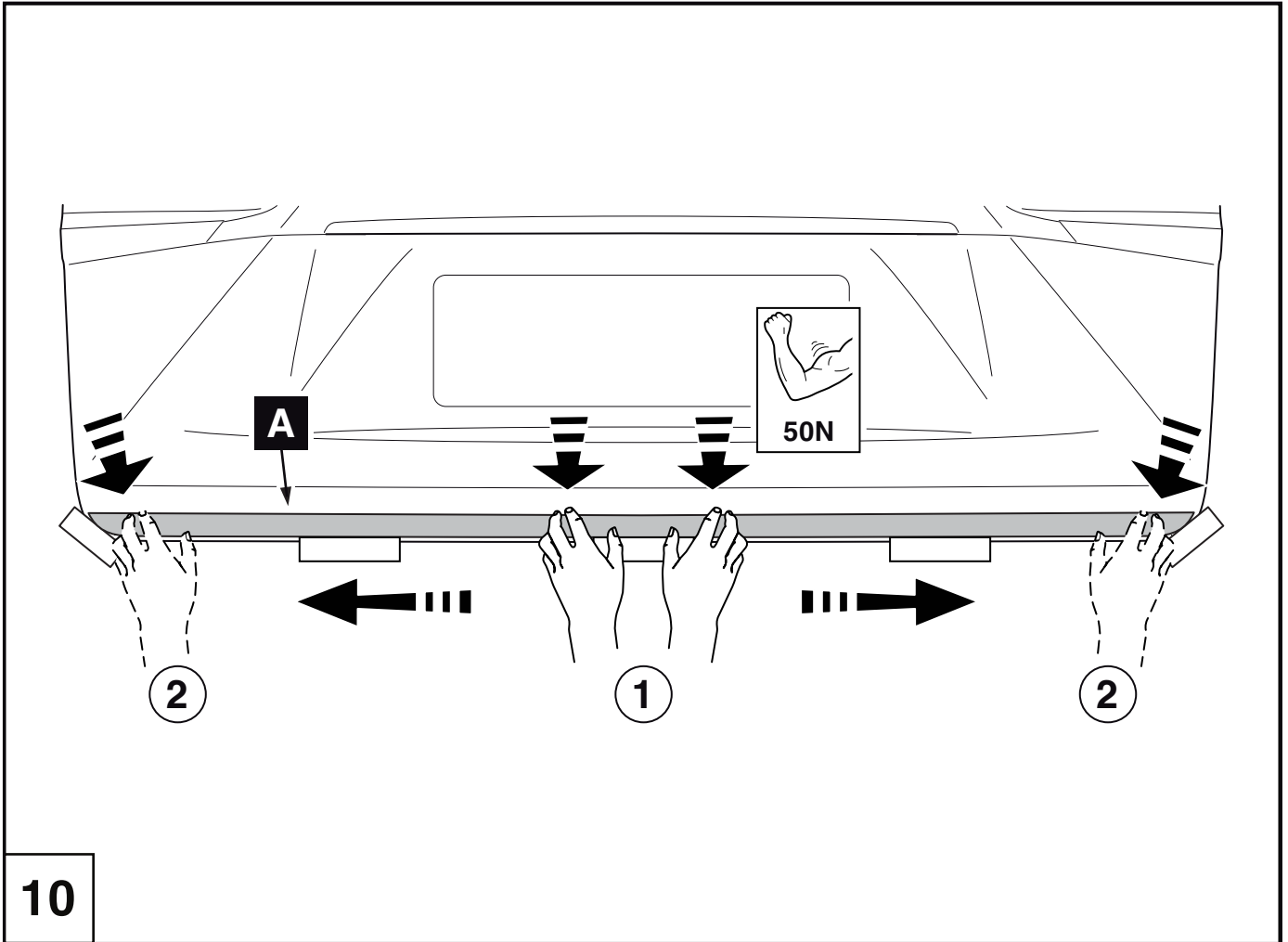


5

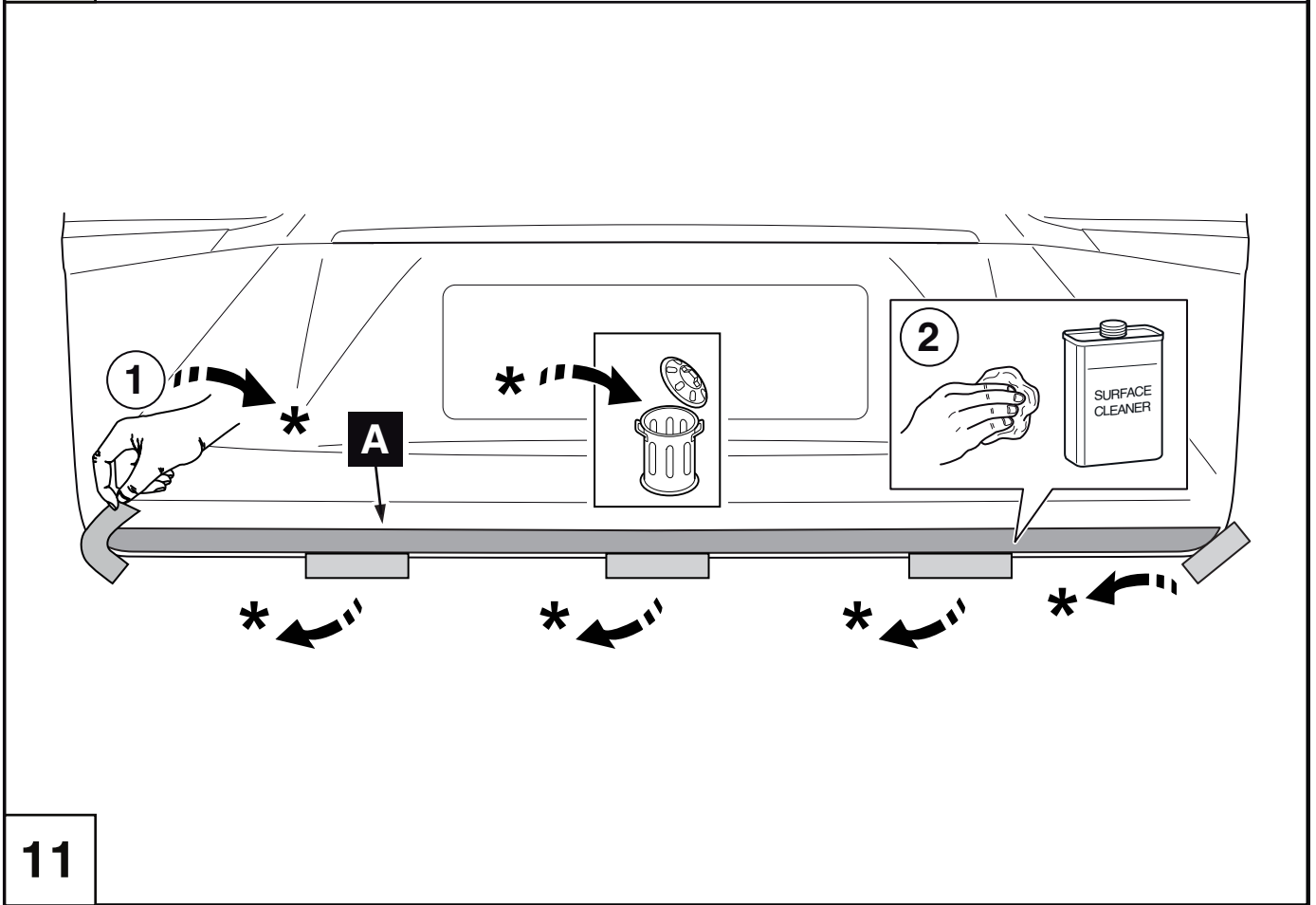


6





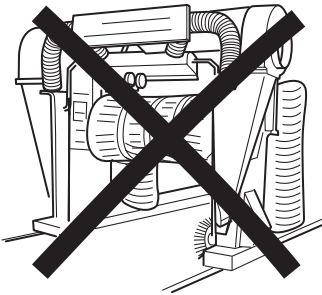
10



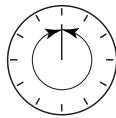
11

# INFO

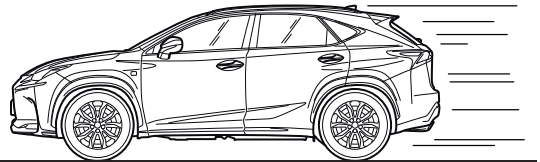
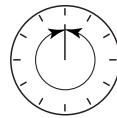
24 h



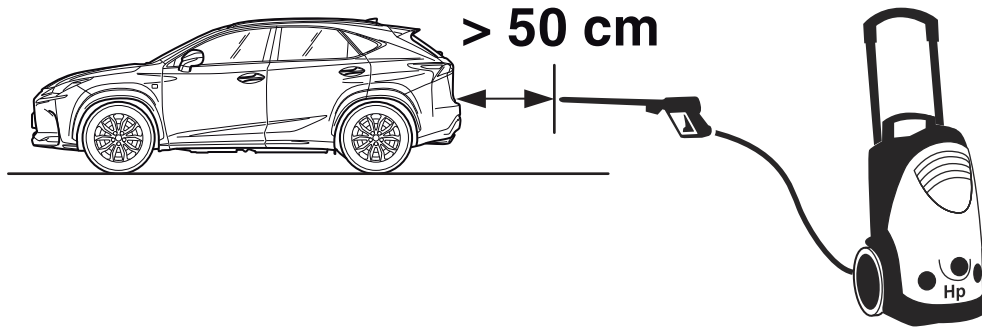
24 h



24 h



Max. 90 Km/h





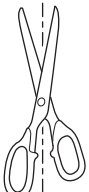


# CHECK SHEET



Model / Year **LEXUS NX** Rear chrome Garnish  
 2014/07, 2017/09

VIN n°



P/N = OK




= OK

**Installation Date:**  
 . . / . . / . . . .

**Technician Name & Signature:**

**Stamp:**

