

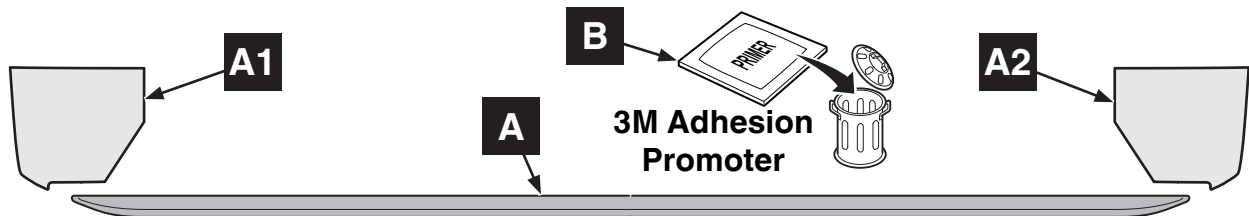
# Rear chrome garnish INSTALLATION INSTRUCTIONS RX

Model year	As from 2015/09
Vehicle code	**L2**-AW***W
Part number	PW405-0E000

# Revision Record

Rev. No.	Date	Page	Step	Remarks
1	23-06-16	2, 4	Kit, 4	Updated
△ <sub>2</sub>	16.03.2020	1, 2	Kit, Tools,Info	Model year updated Kit, Tools,Info updated
△ <sub>2</sub>	16.03.2020	4	4, 5	Added

PW405-0E000

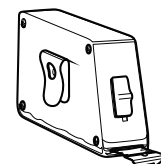
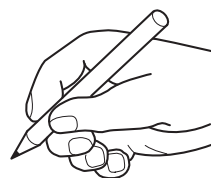
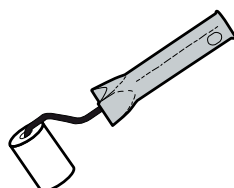
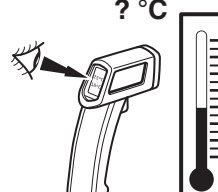
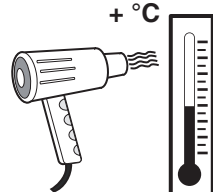
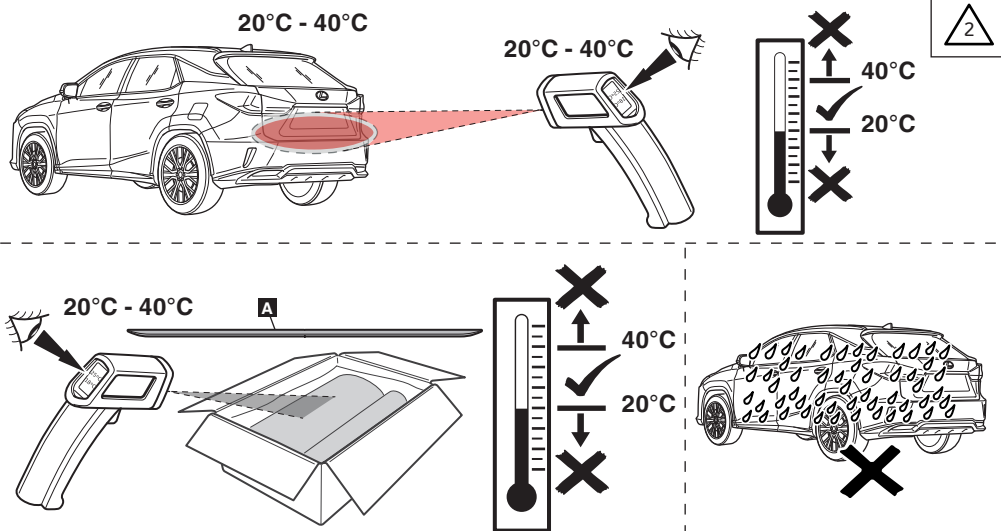


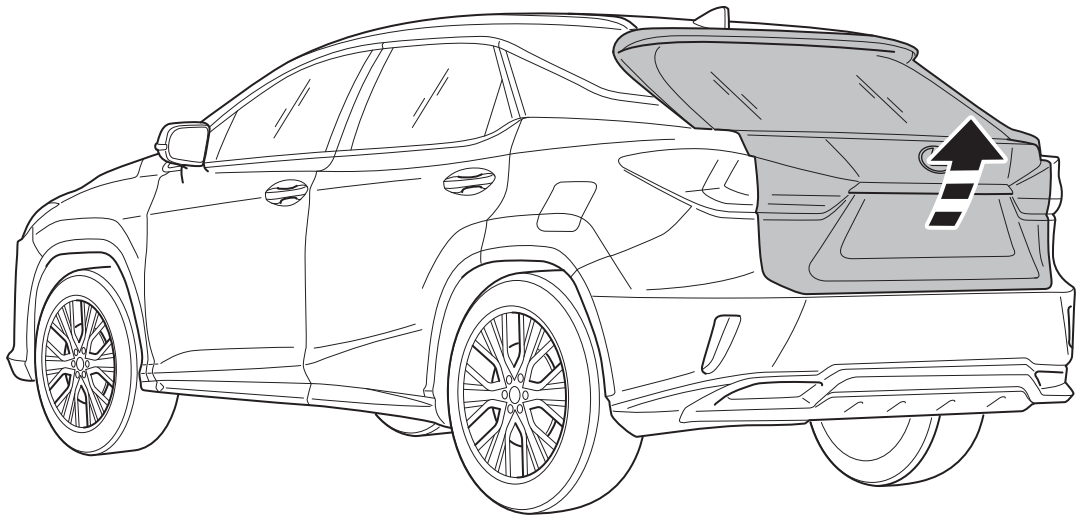
## INFO

Material Safety Data Sheet

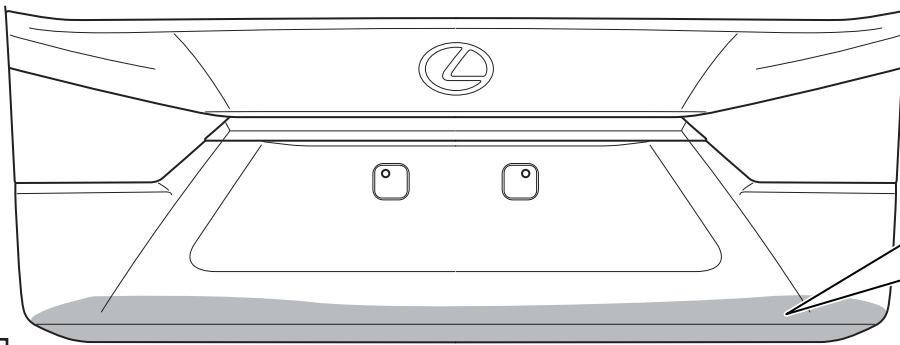


Technical Data Sheet

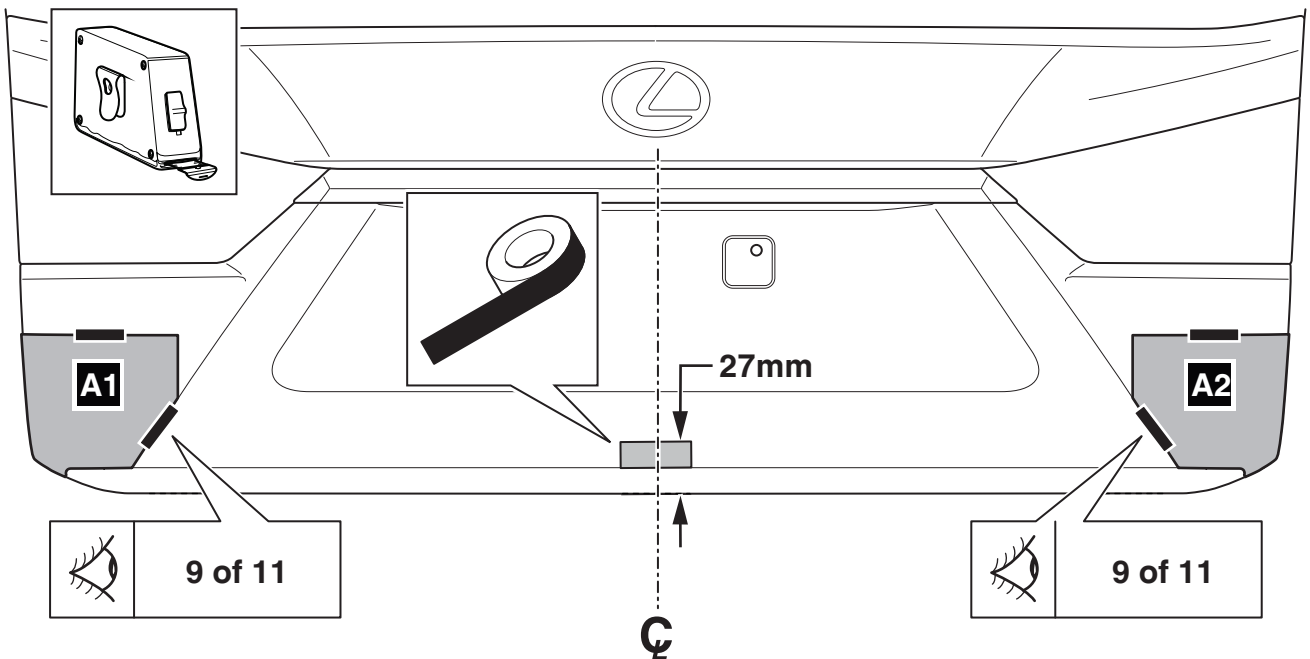




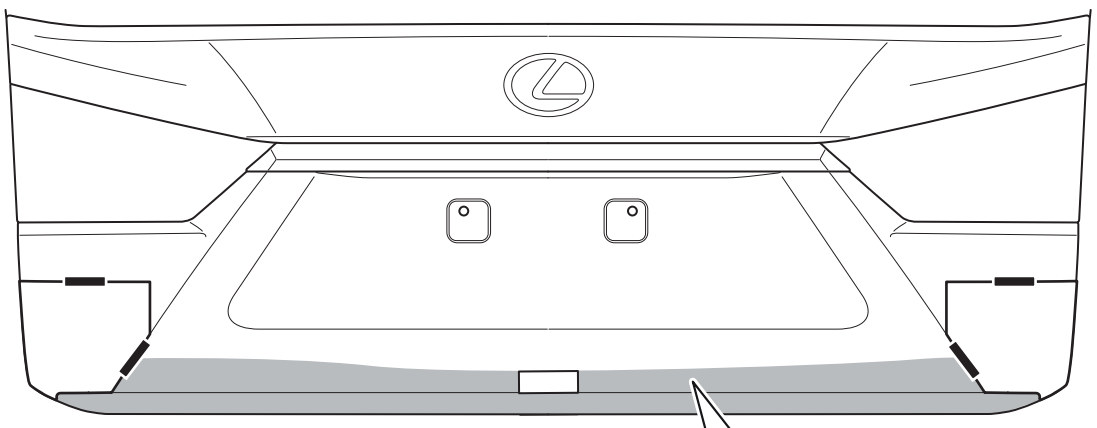
1



2



3



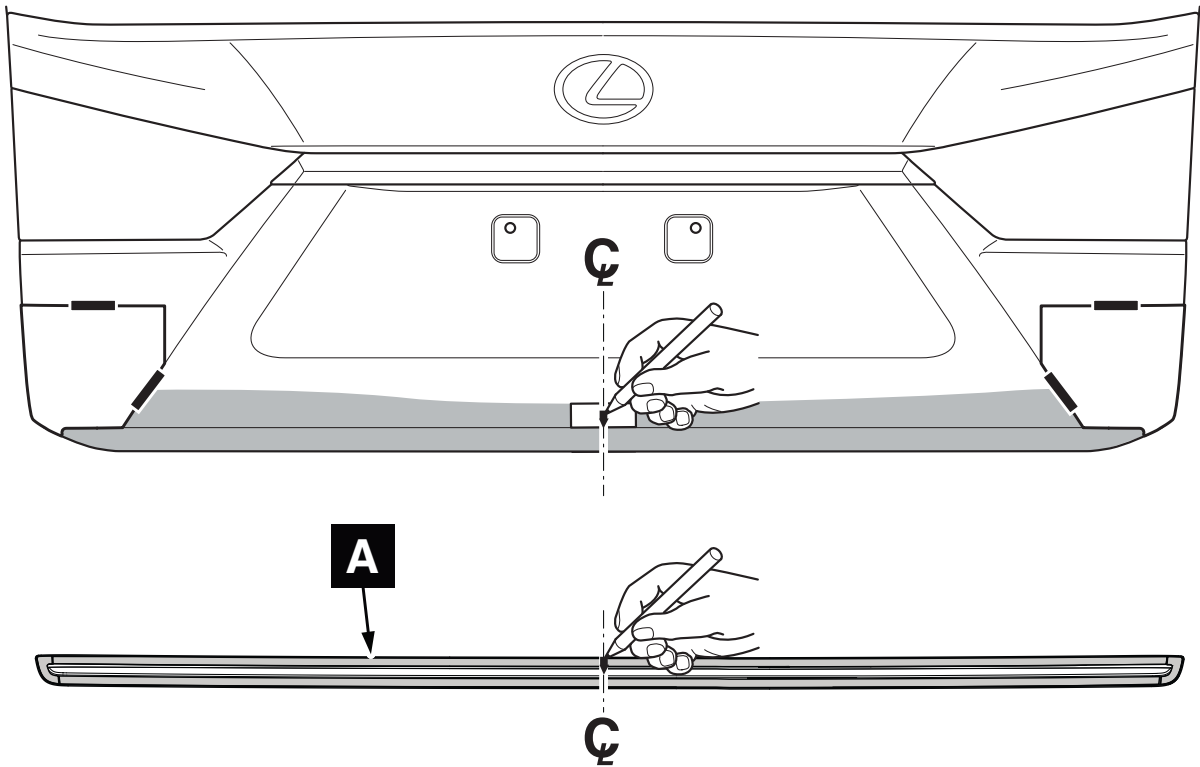
<p>1</p> <p>? °C</p>	<p>&lt; 20°C → 2</p> <p>20°C - 40°C → 5</p>	<p>2</p> <p>+ °C</p>
<p>3</p> <p>? °C</p>	<p>20°C - 40°C → 5</p>	<p><b>INFO</b></p>

4

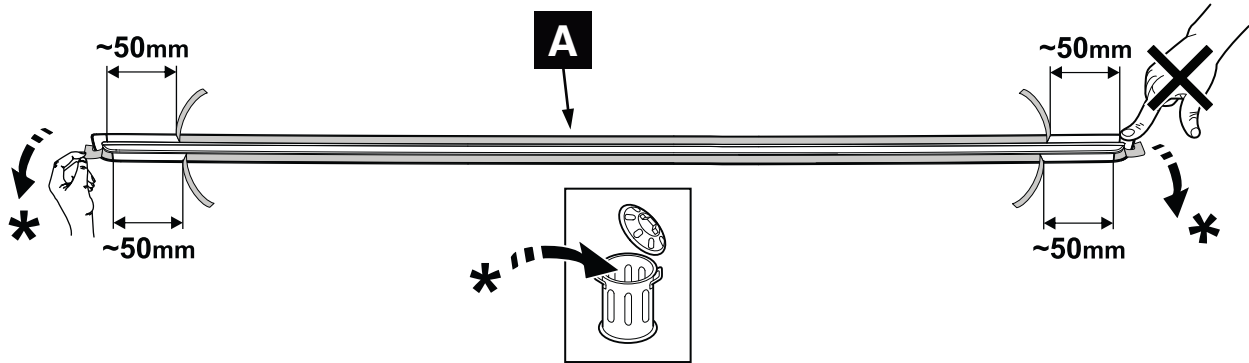


<p>1</p> <p>? °C</p>	<p>&lt; 20°C → 2</p> <p>20°C - 40°C → 6</p>	<p>2</p> <p>+ °C</p>
<p>3</p> <p>? °C</p>	<p>20°C - 40°C → 6</p>	<p><b>INFO</b></p>

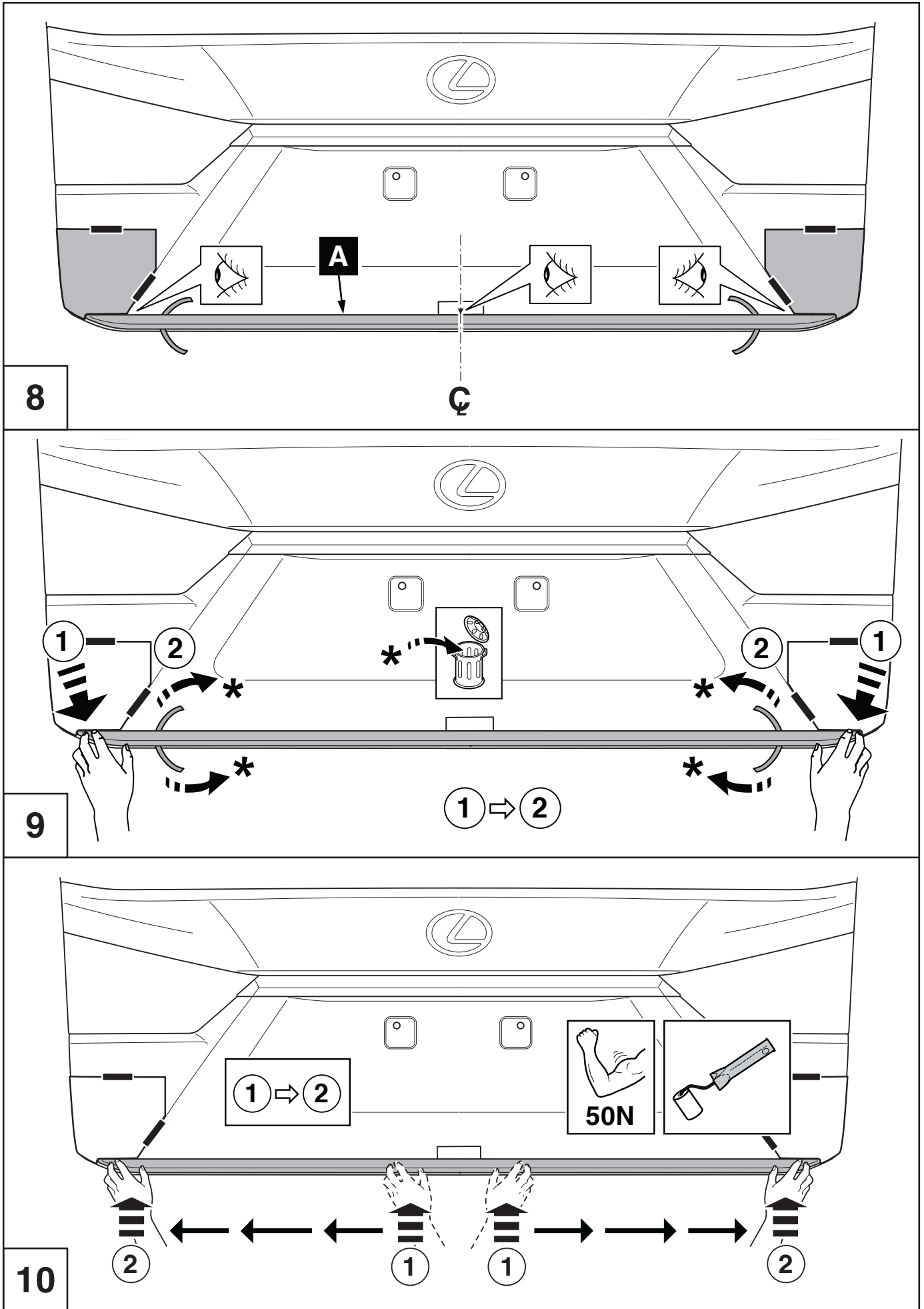
5

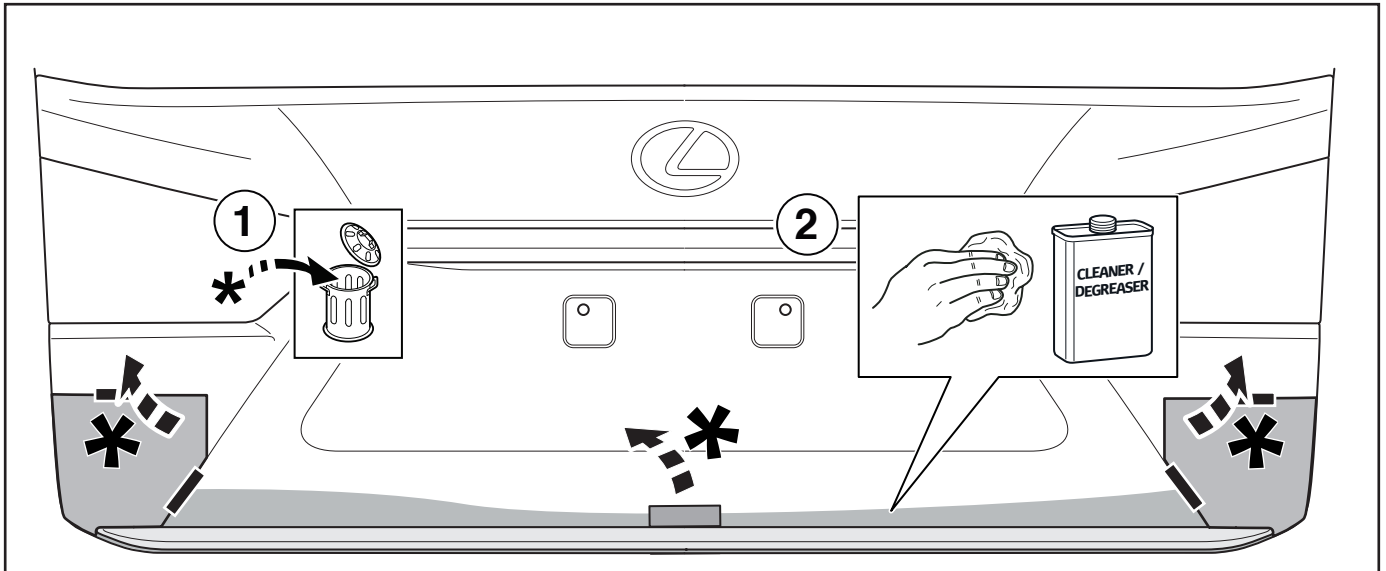


6



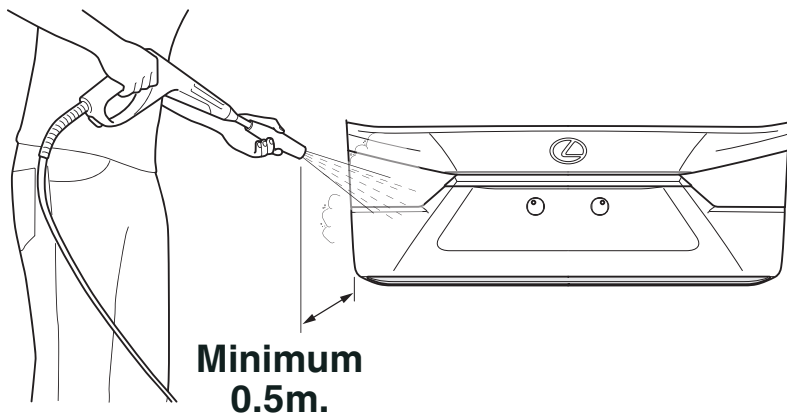
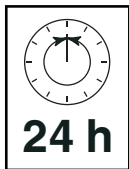
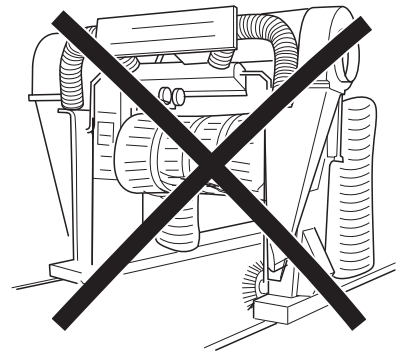
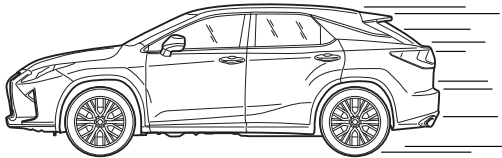
7





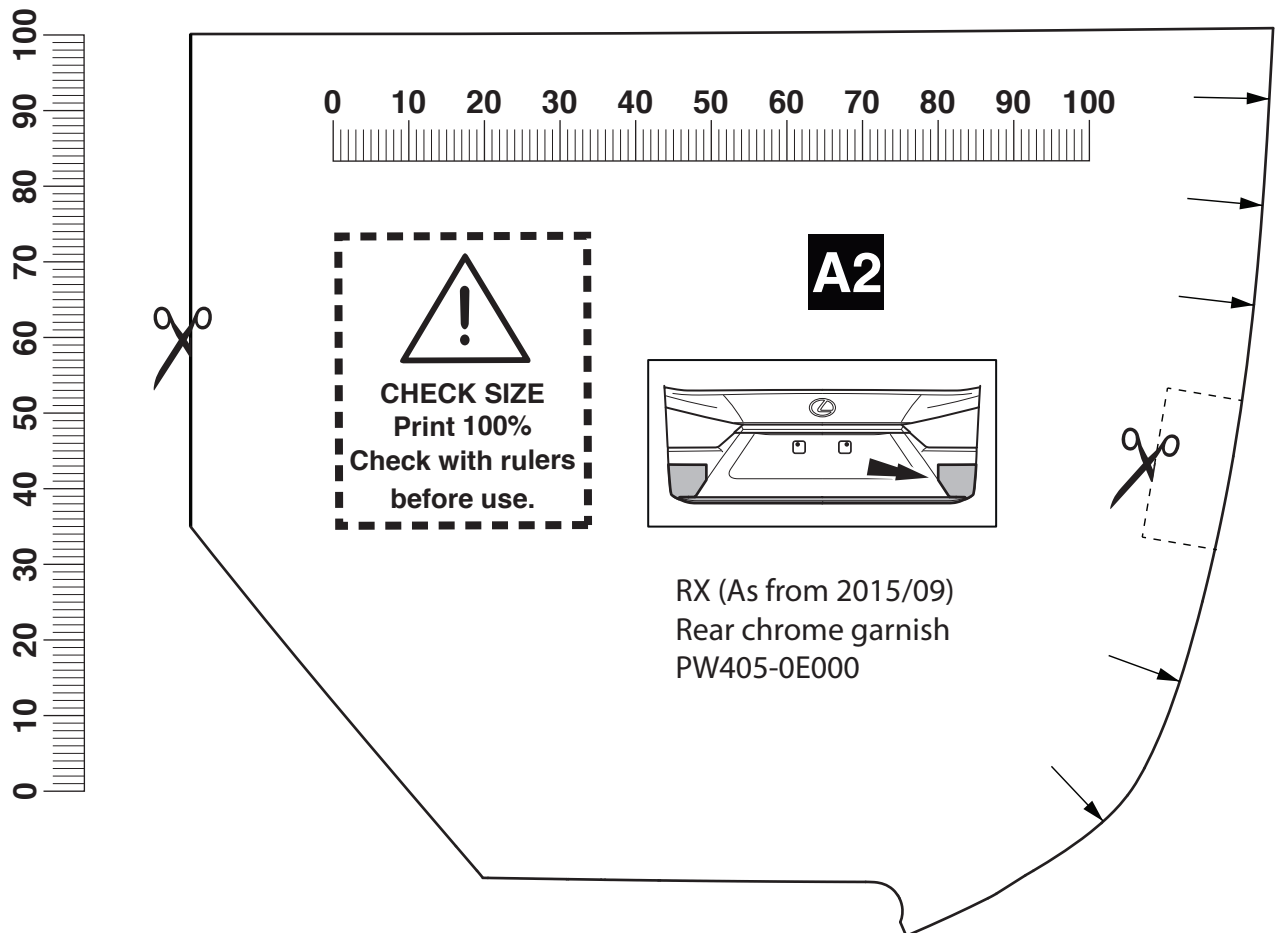
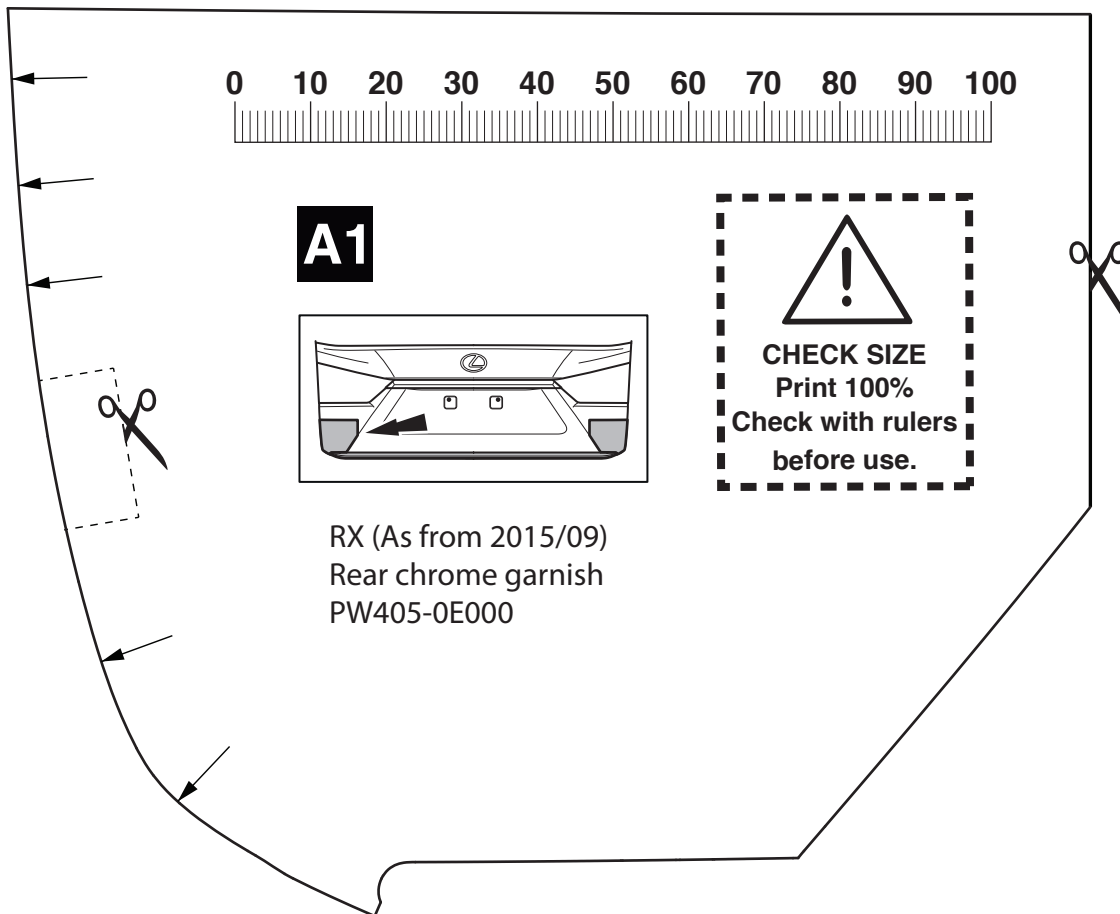
11

INFO








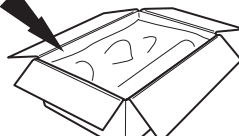




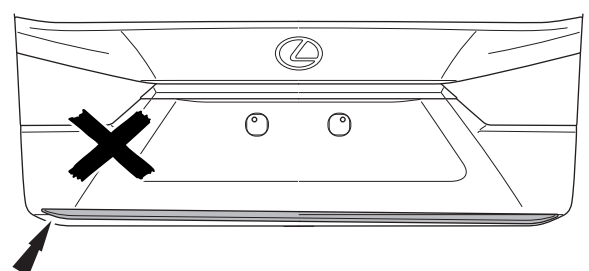
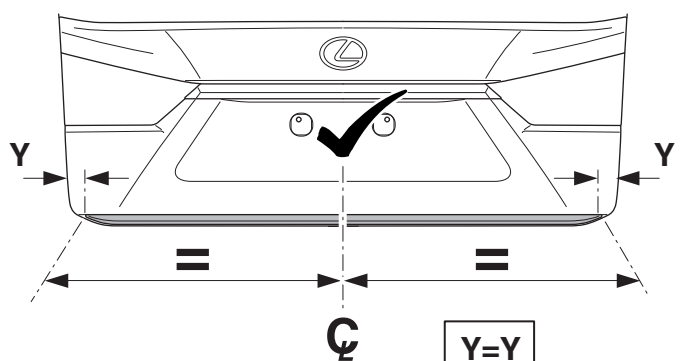
Model/Year RX As from 2015/09 Rear chrome garnish

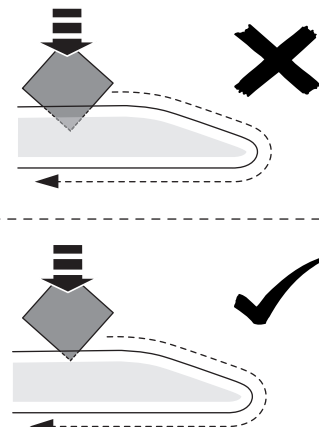
VIN n°

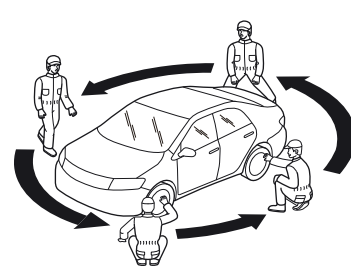

## DURING INSTALLATION

**1**  **P/N = OK** 

## AFTER INSTALLATION

**1**  

**2** 

**3**   = OK

Installation Date:  
... / ... / .....

Technician Name & Signature:

Stamp: