

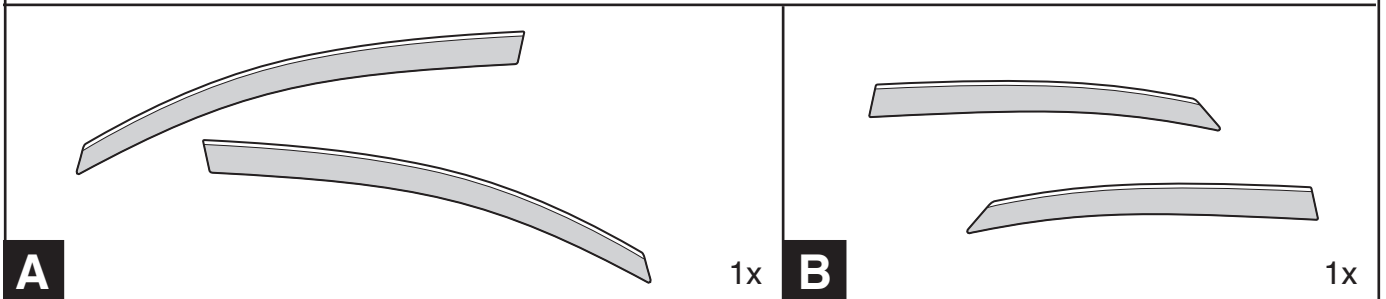
# Wind deflector INSTALLATION INSTRUCTIONS LS

Model year	As from 2017/09
Vehicle code	**F***-AE*G**
Part number	08162-50810

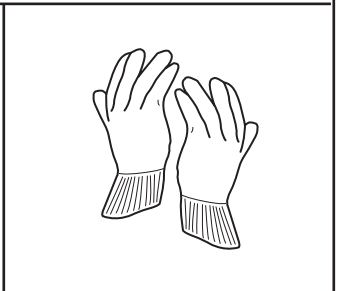
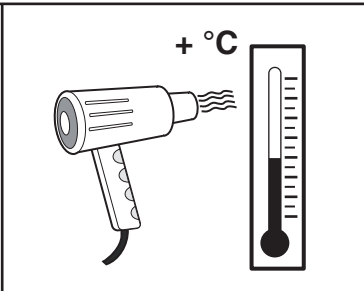
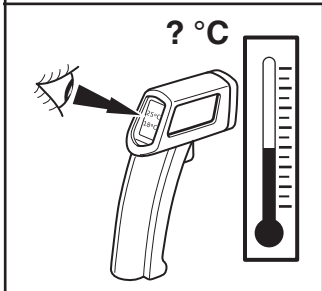
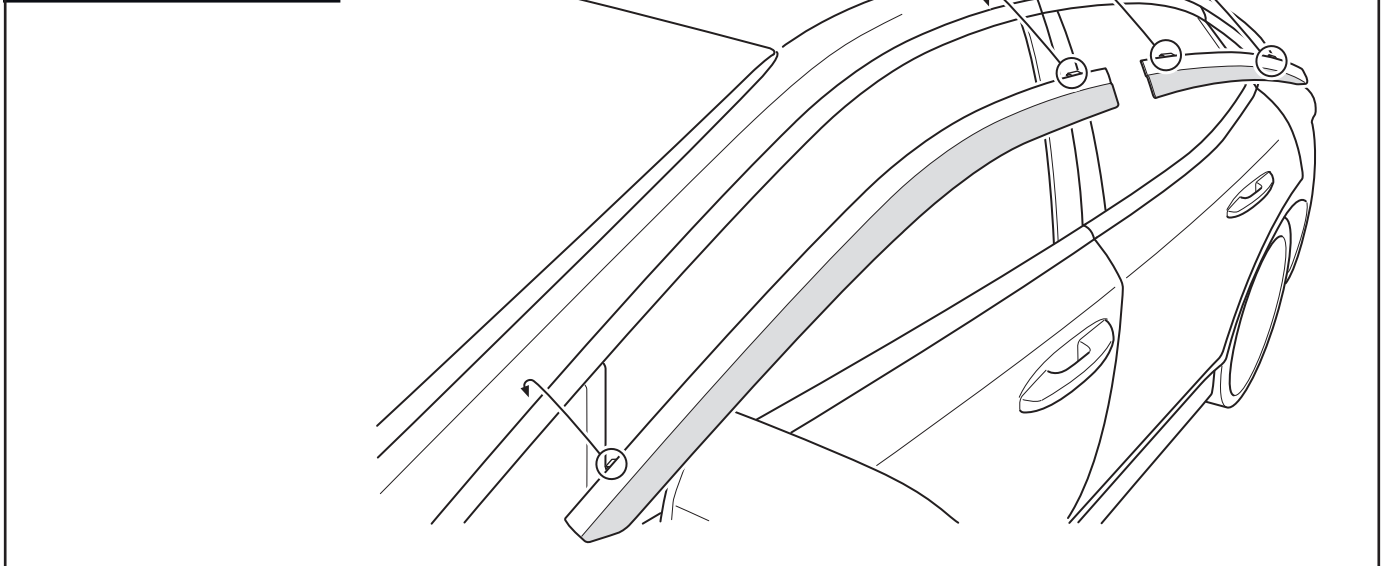
# Revision Record

Rev. No.	Date	Page	Step	Remarks
1	19.06.2020	1, 12	Cover, CS	Model year updated.

08162-50810



LHS=RHS



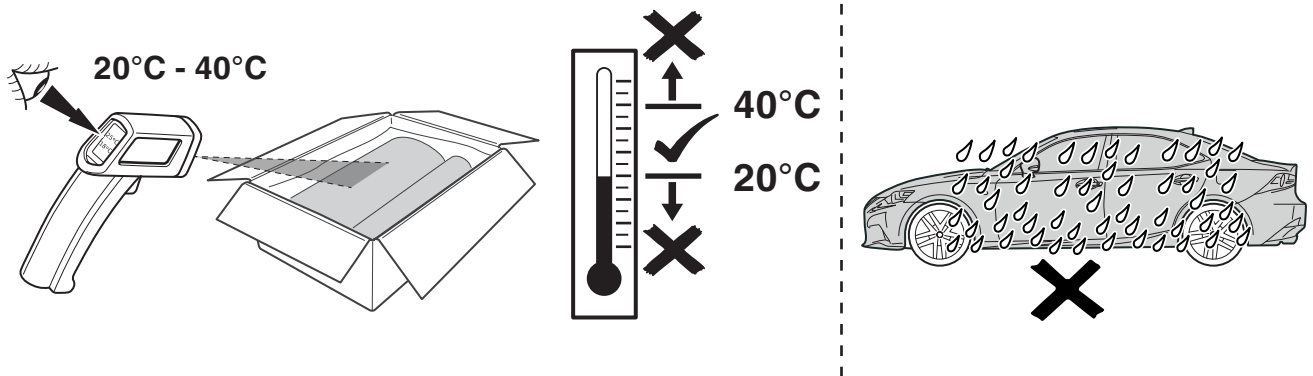
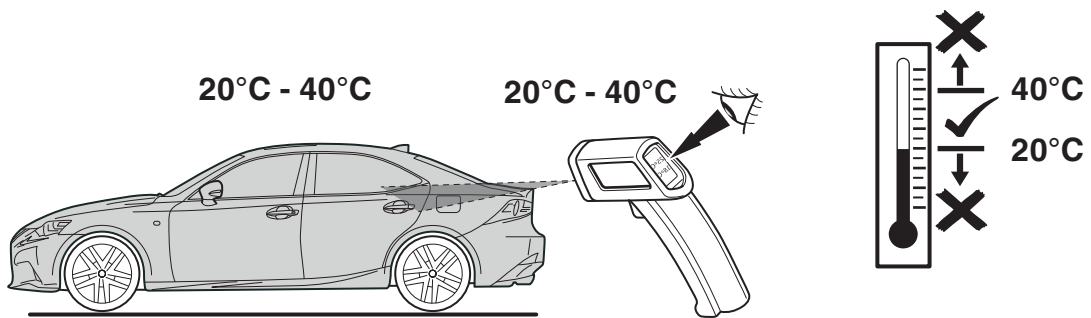
# INFO



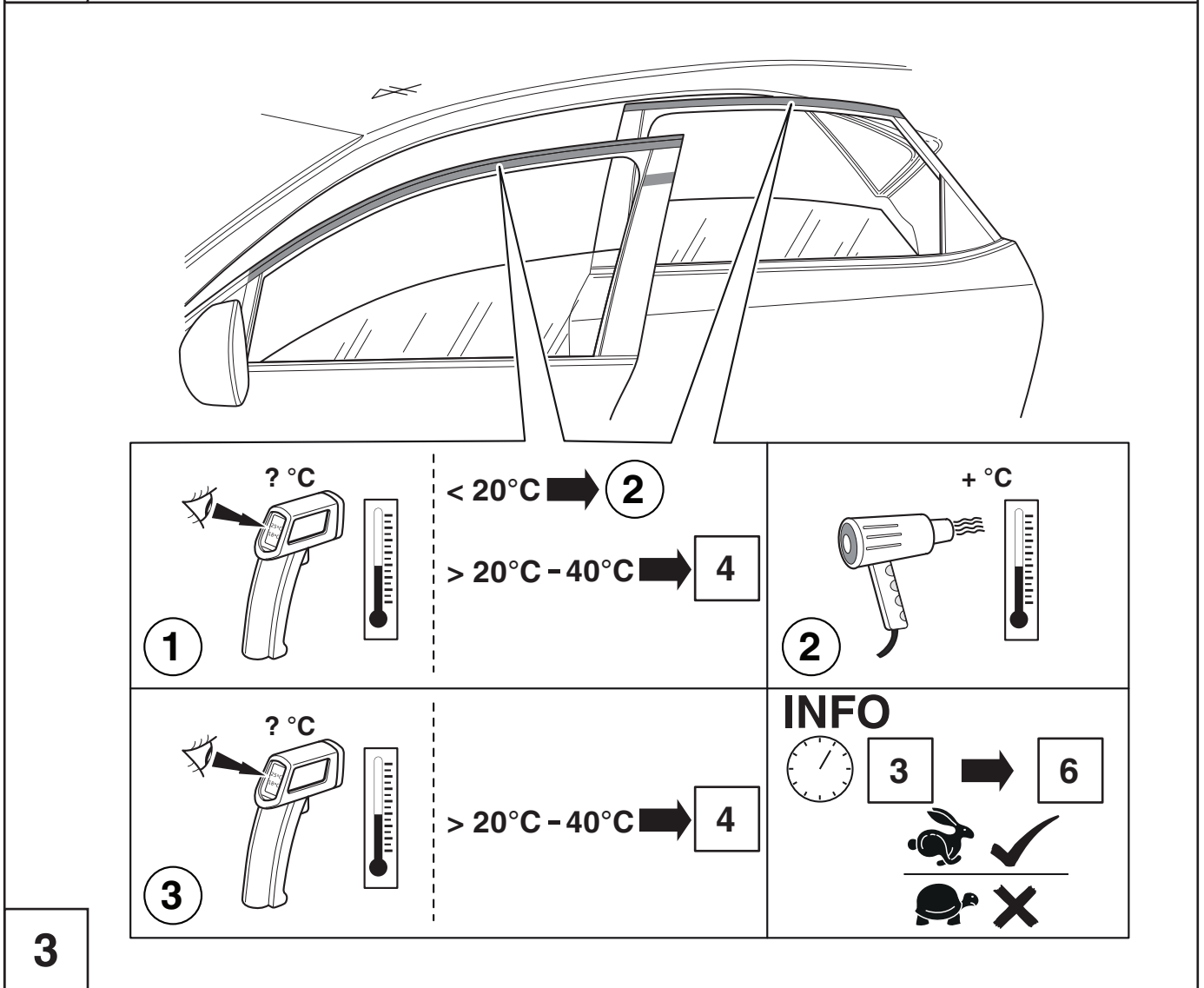
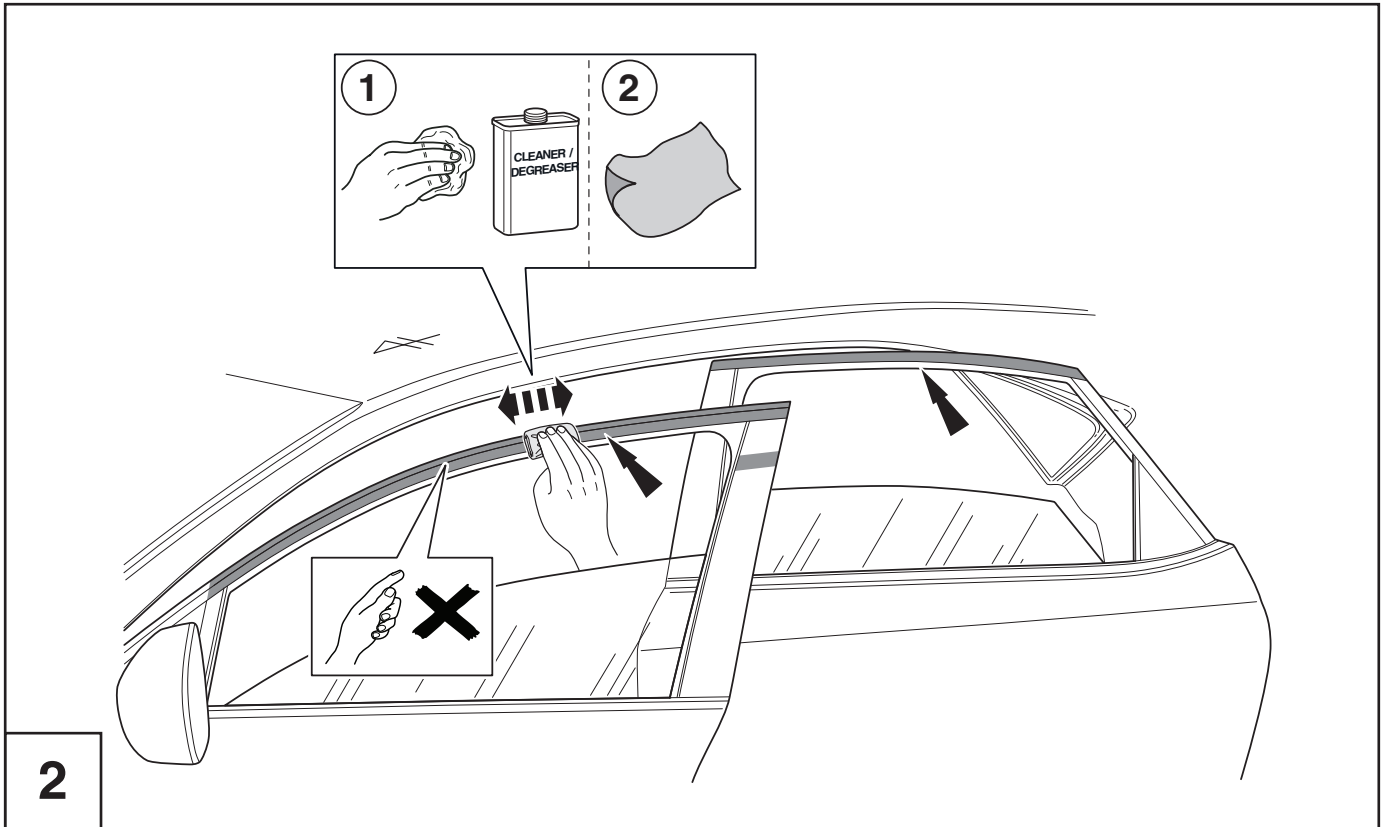
**M**aterial **S**afety **D**ata **S**heet

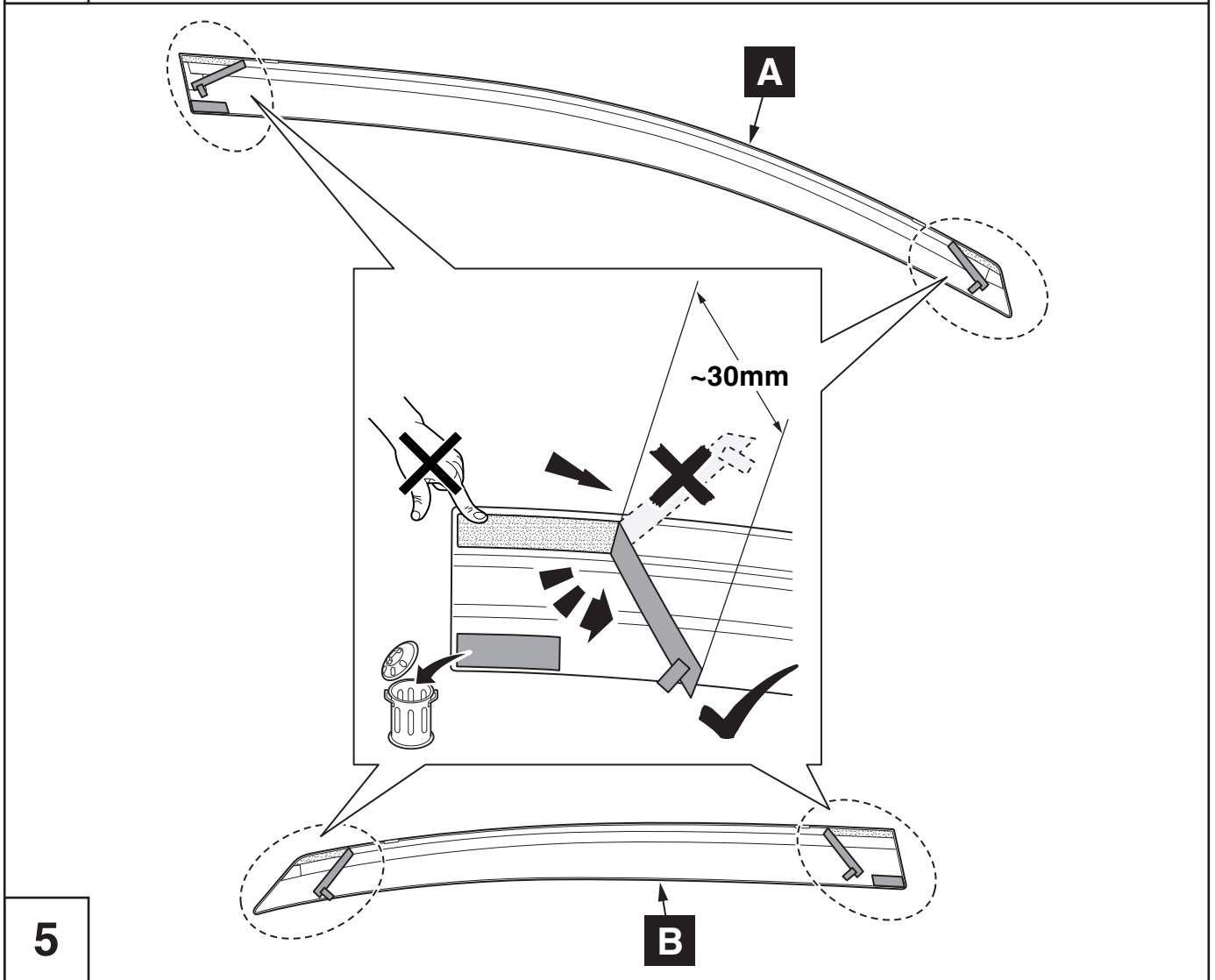
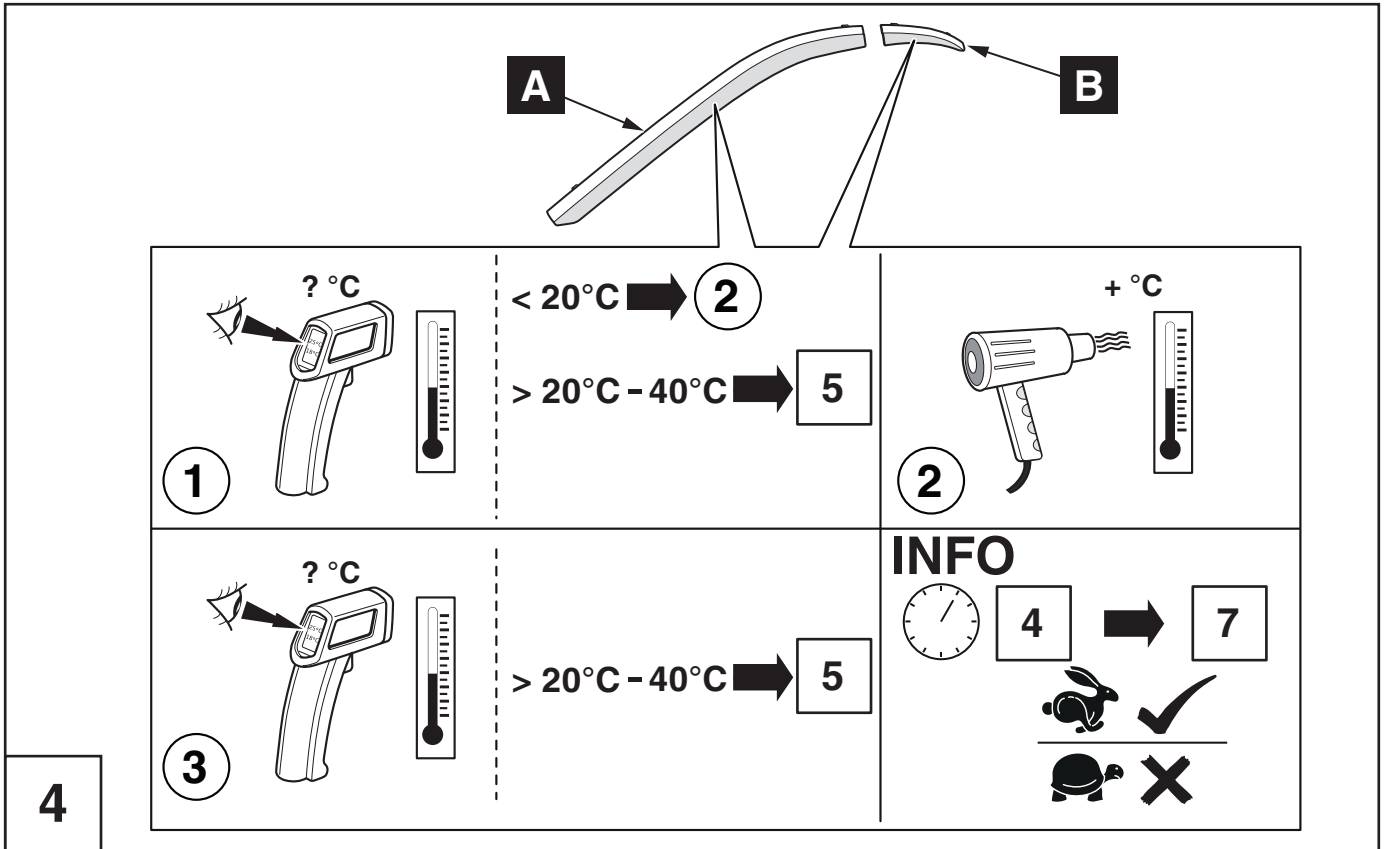


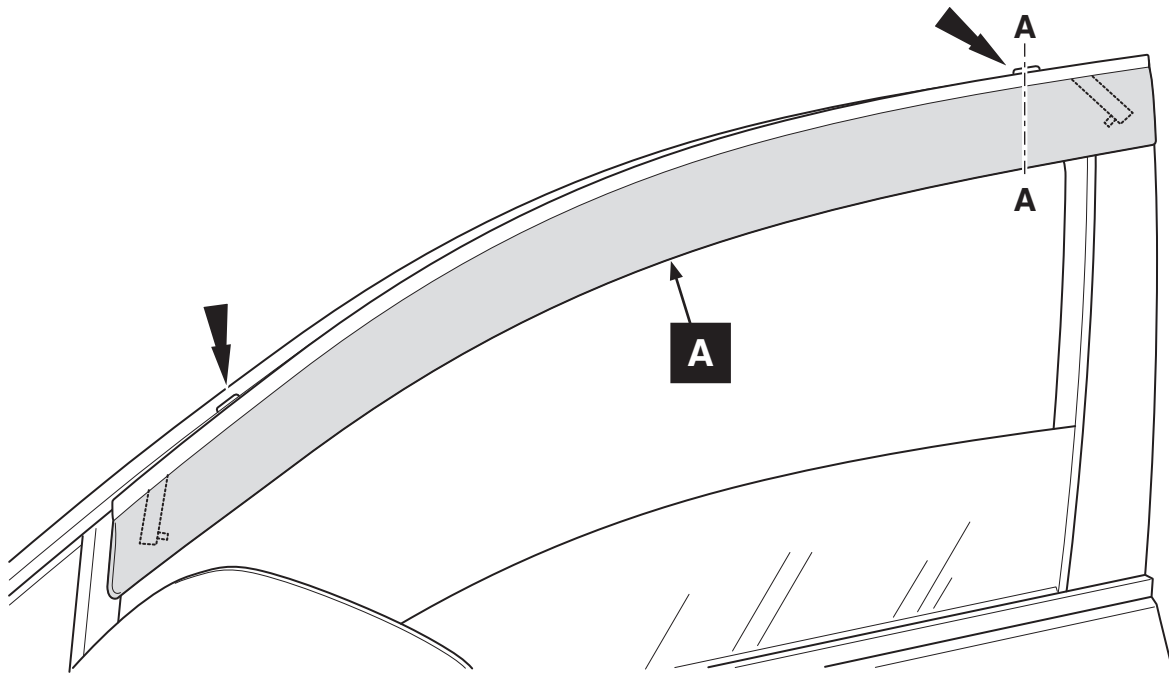
**T**echnical **D**ata **S**heet



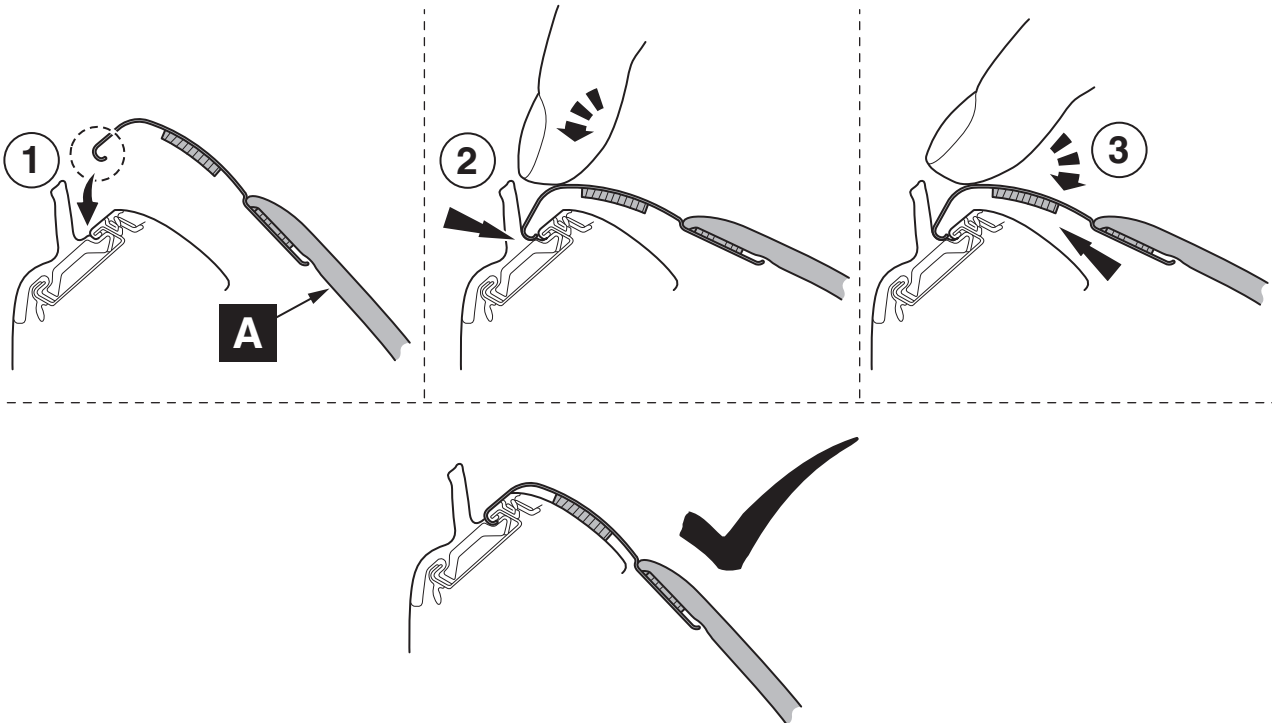
1



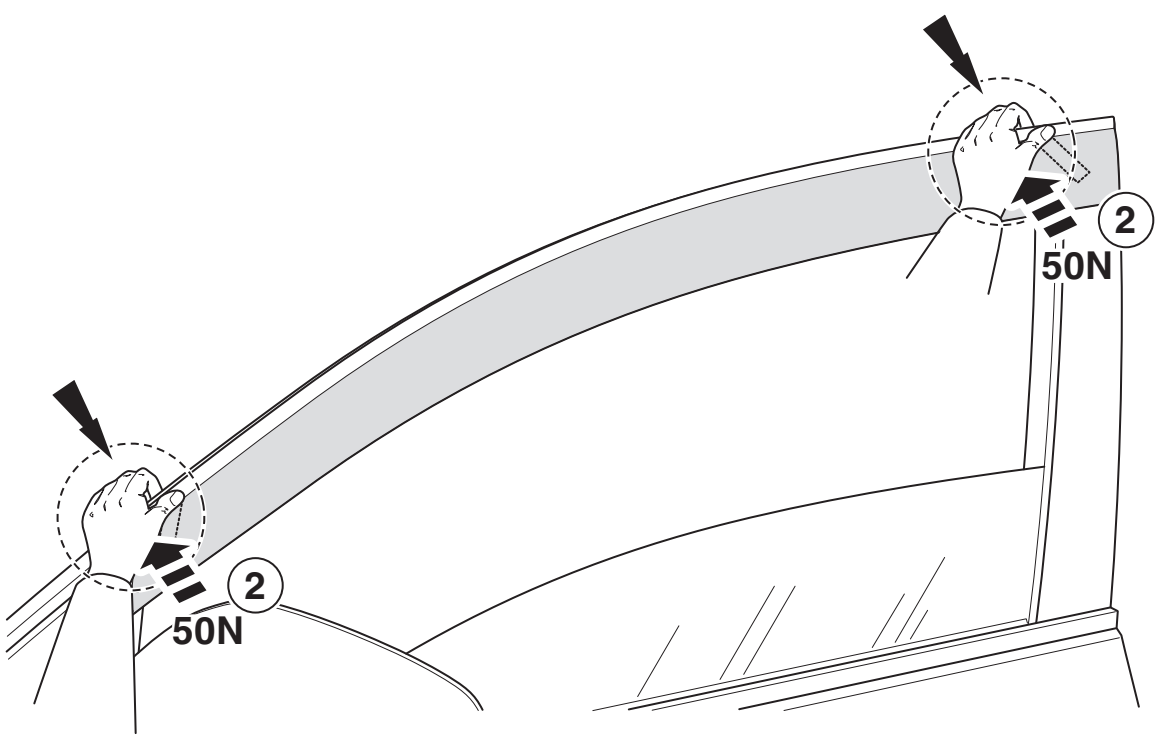
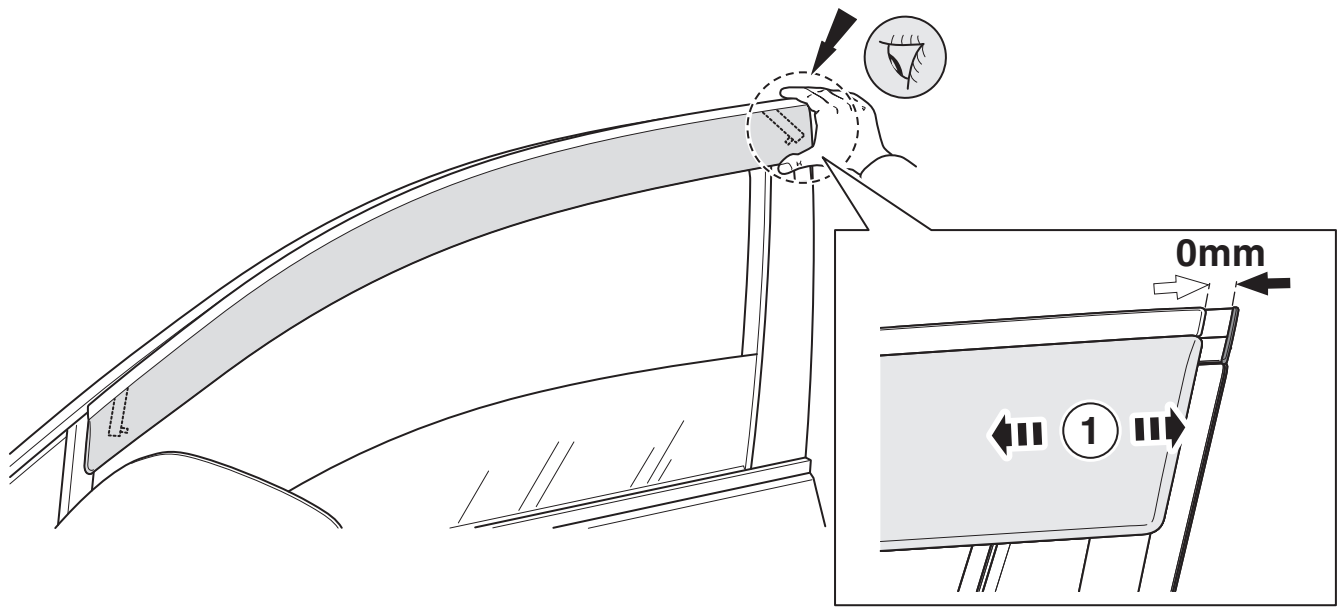




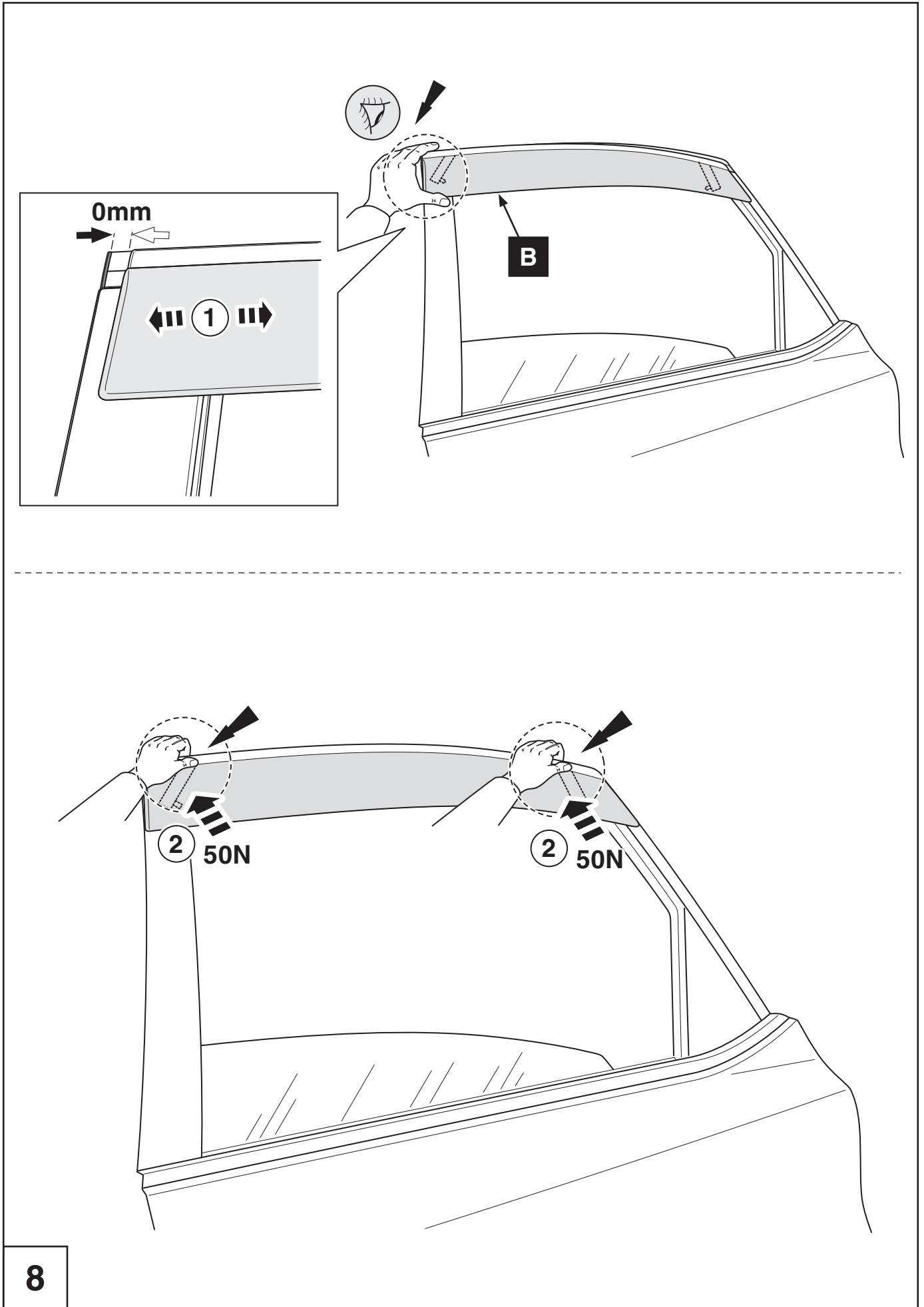
**A-A**



**6**

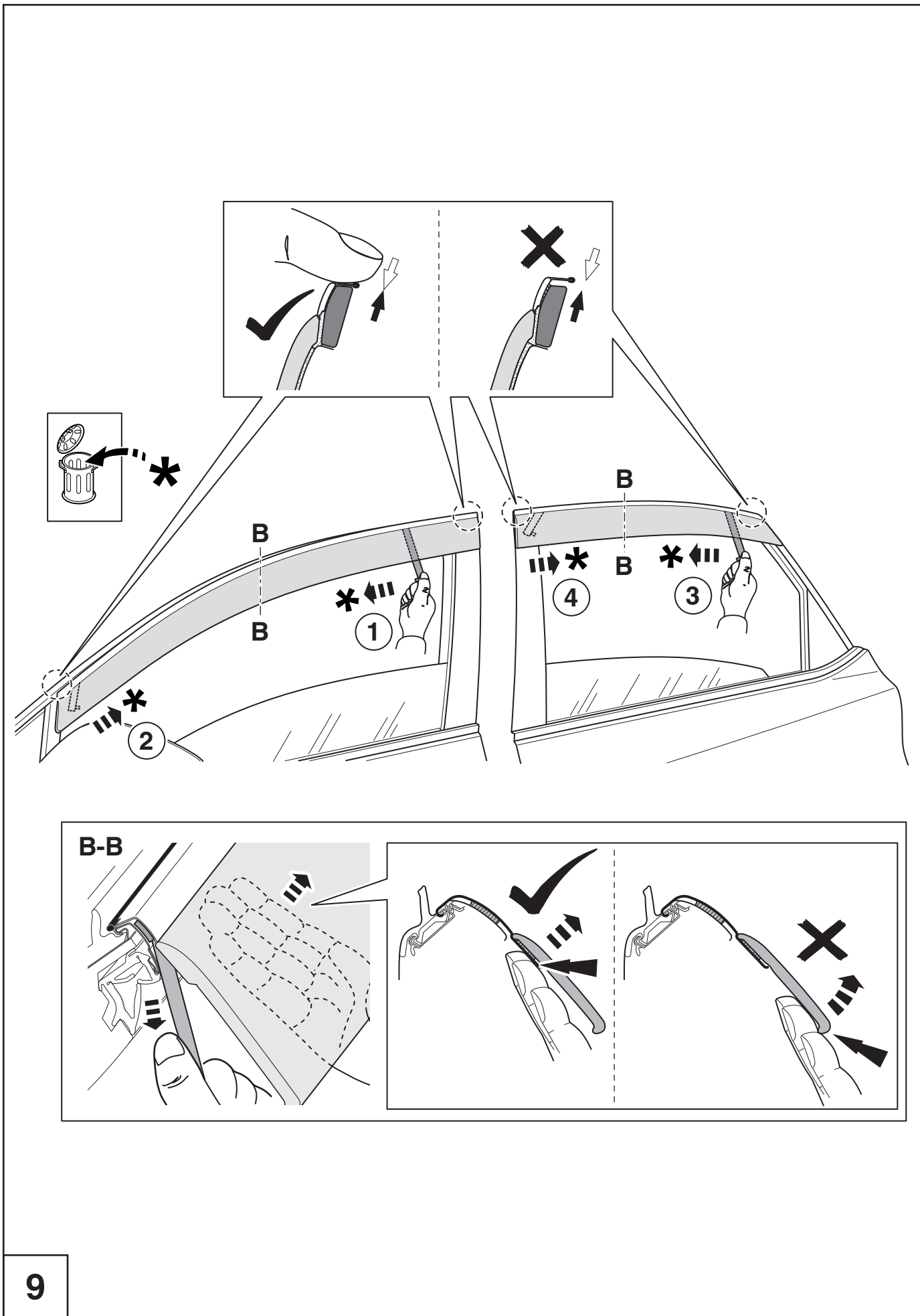


7

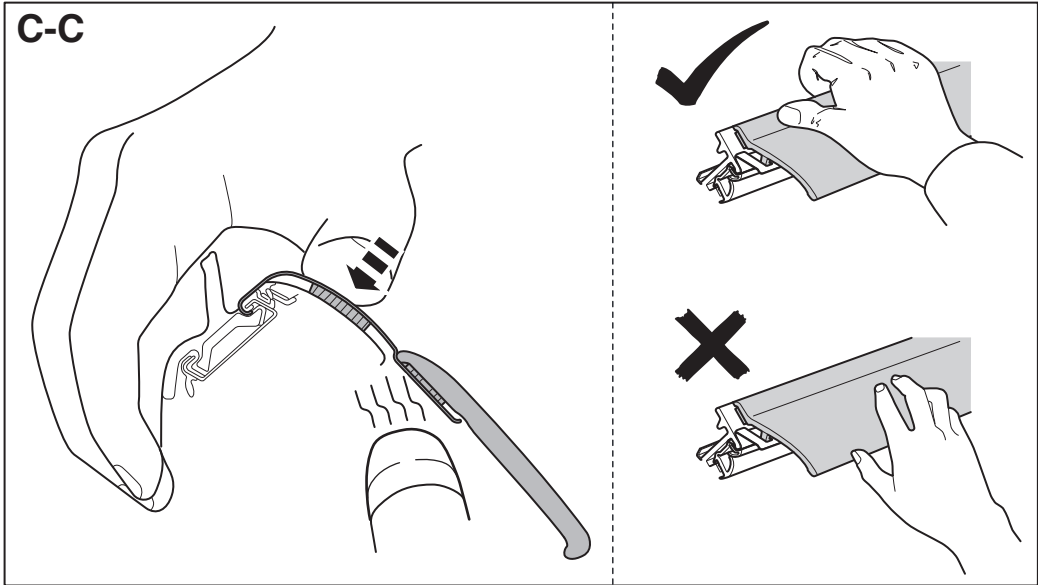
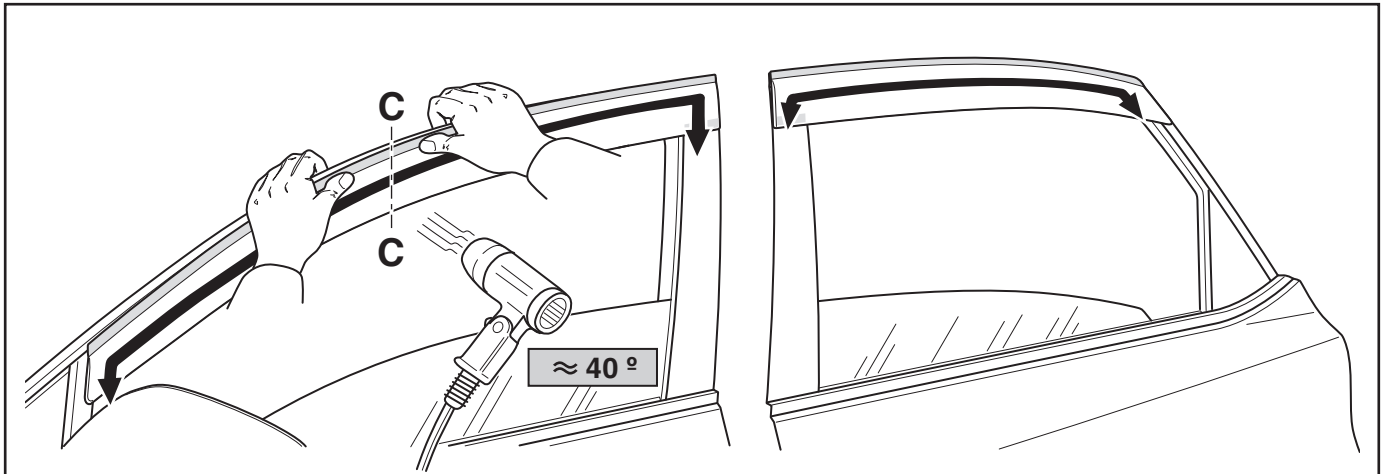


8

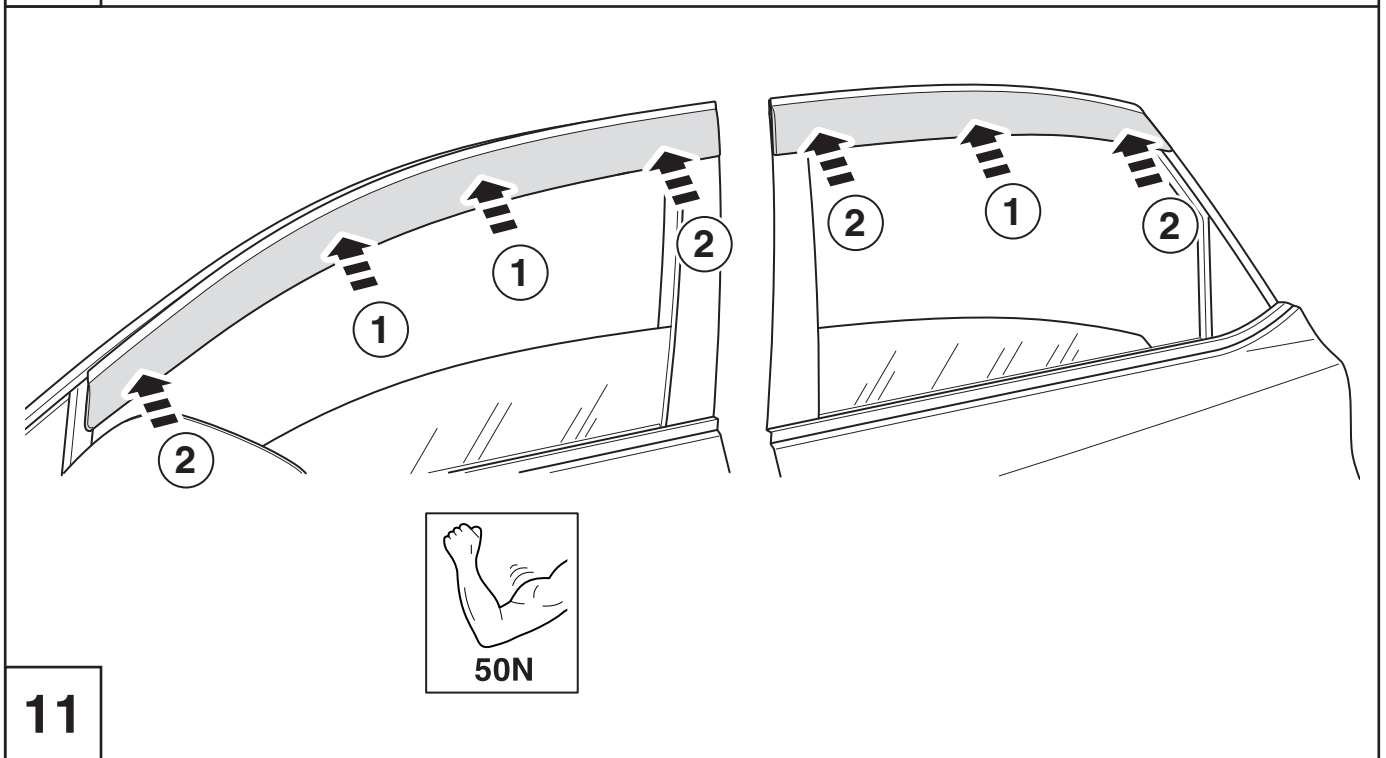




9

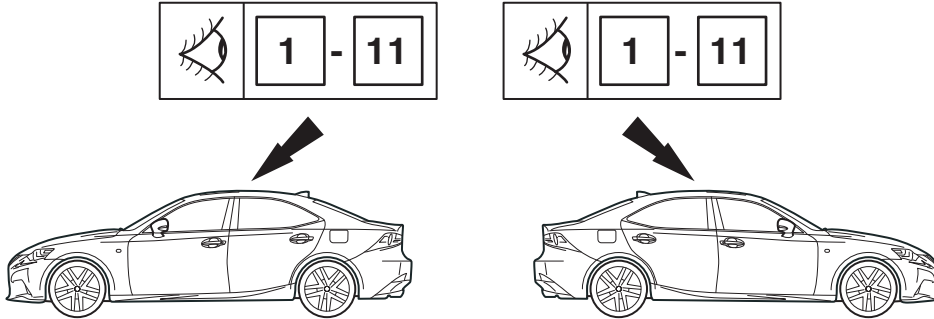


**10**



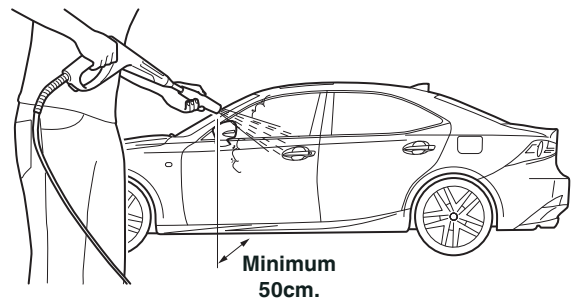
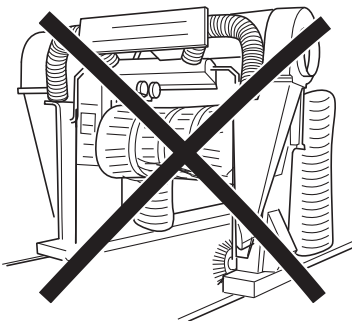
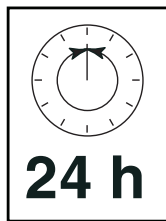
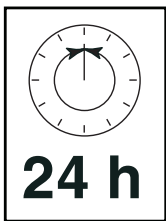
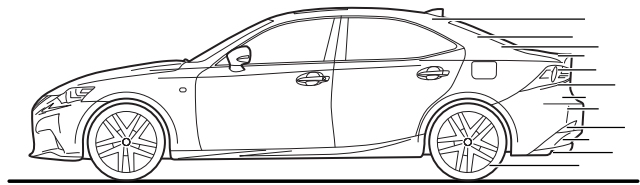
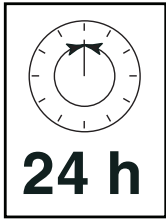
**11**

RHS = LHS



12

INFO



# CHECK SHEET


Model/Year

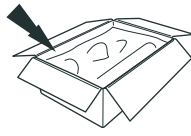
LS As from 2017/09

Wind deflector

VIN n°



## DURING INSTALLATION

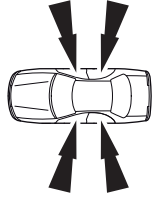
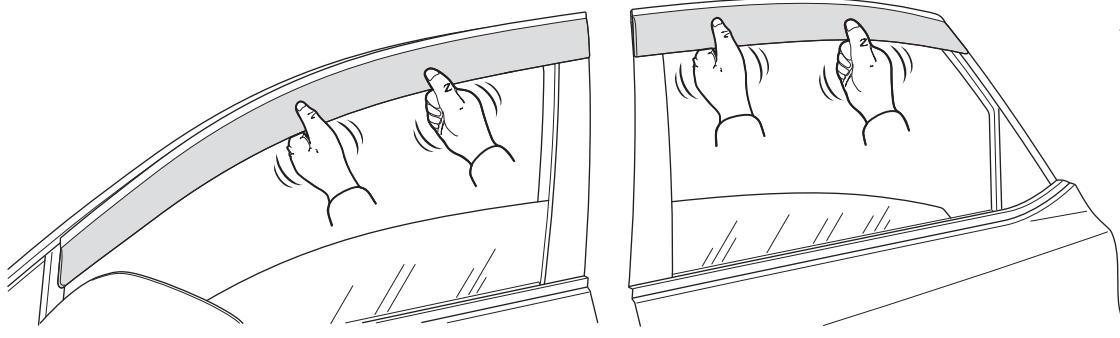
 P/N = OK



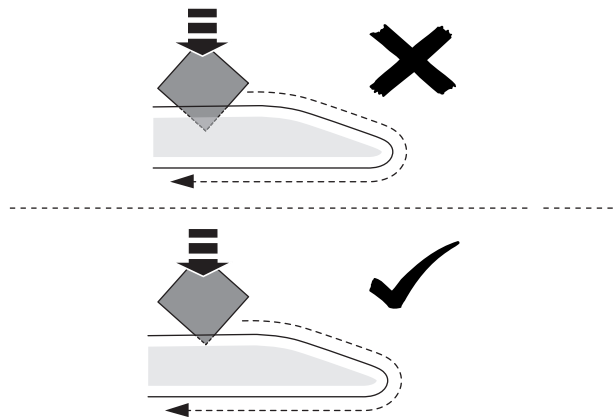
**1**

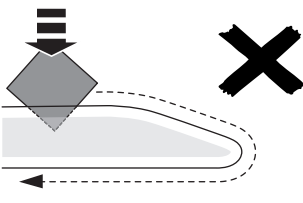
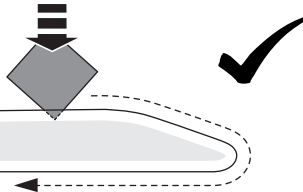
## AFTER INSTALLATION

  = OK

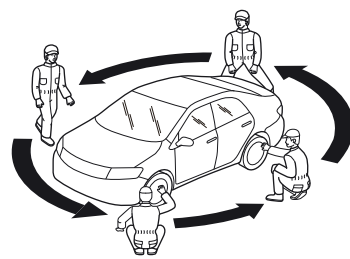




**1**



**2**



  = OK

**3**

Installation Date:

. . / . . / . . . .

Technician Name & Signature:

Stamp: