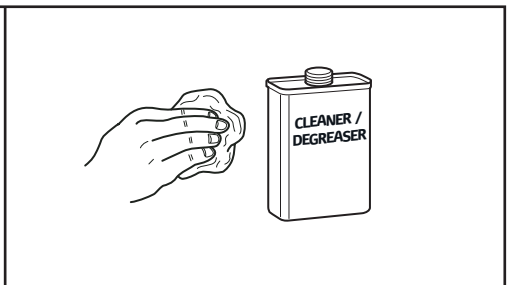
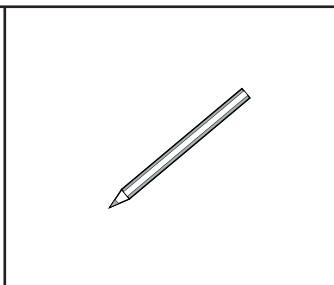
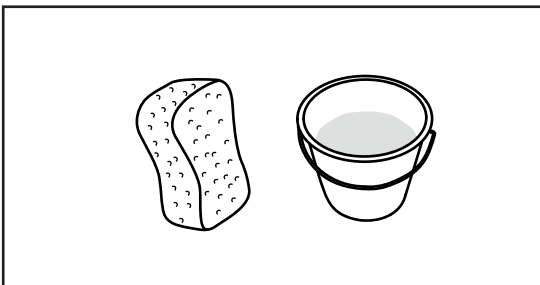
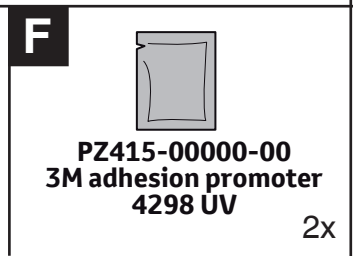
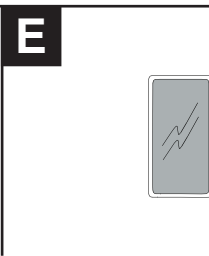
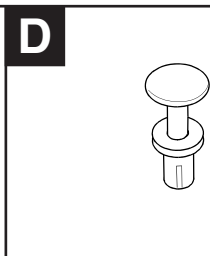
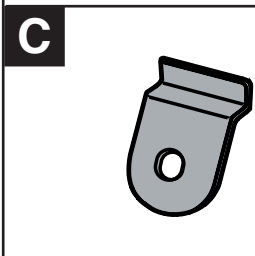
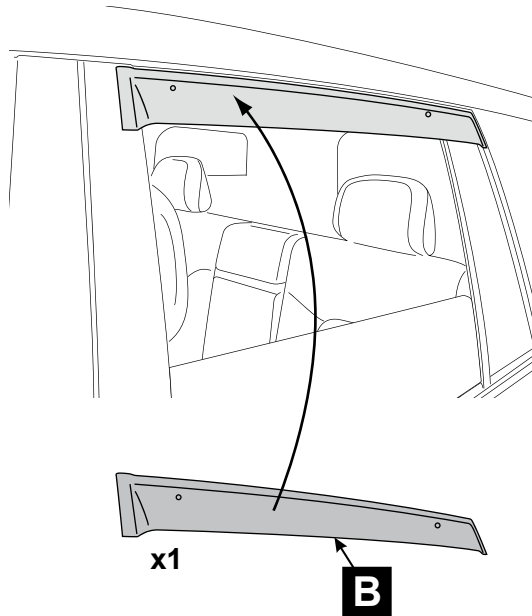
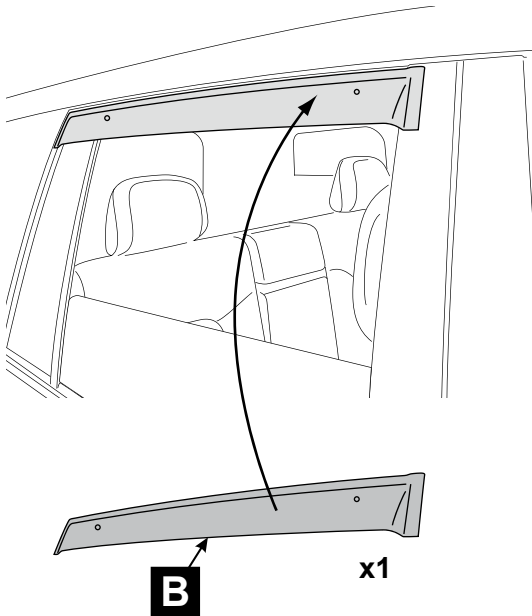
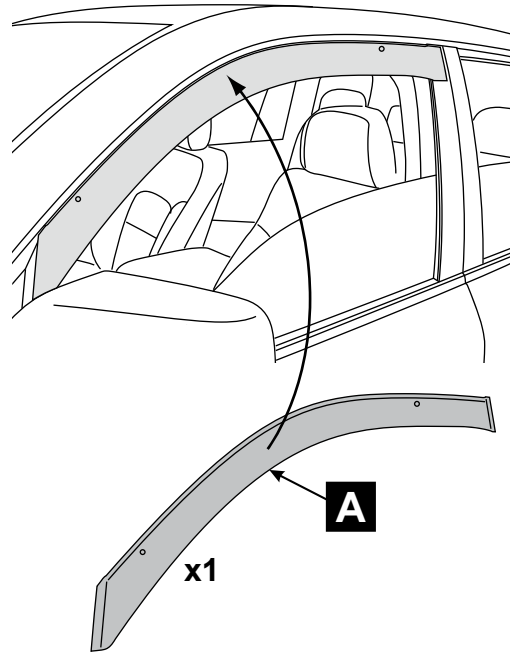
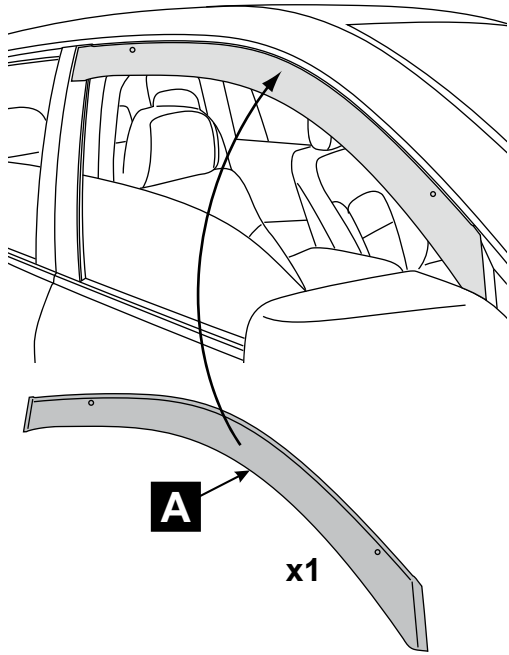


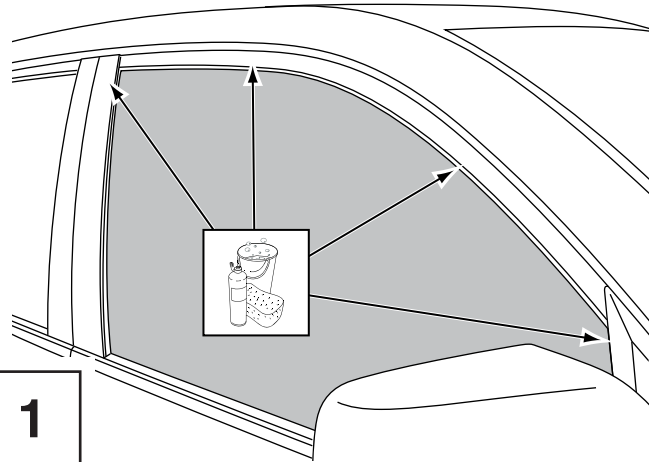
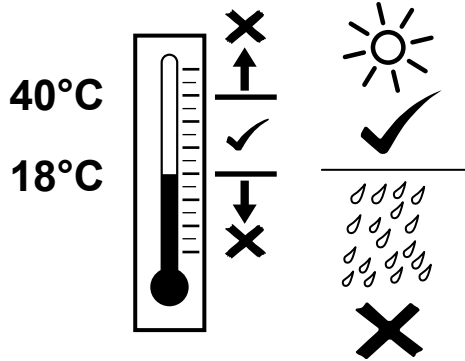
Wind deflectors INSTALLATION INSTRUCTIONS GX

Model year	2009/11, 2013/08
Vehicle code	URJ150*-GKTZKW
Part number	PW162-60004

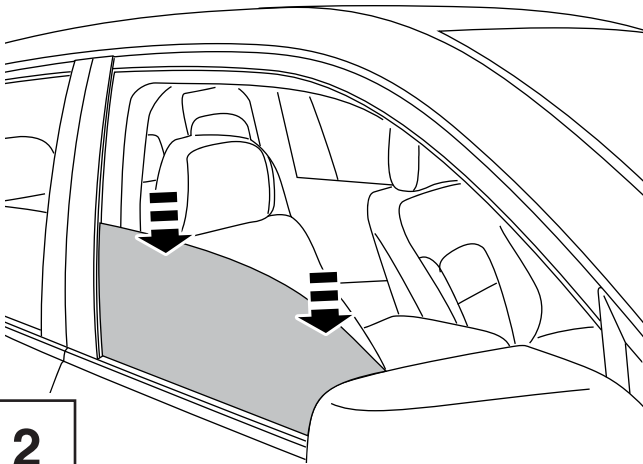
Revision Record

Rev. No.	Date	Page	Picture	Update	New	Deleted

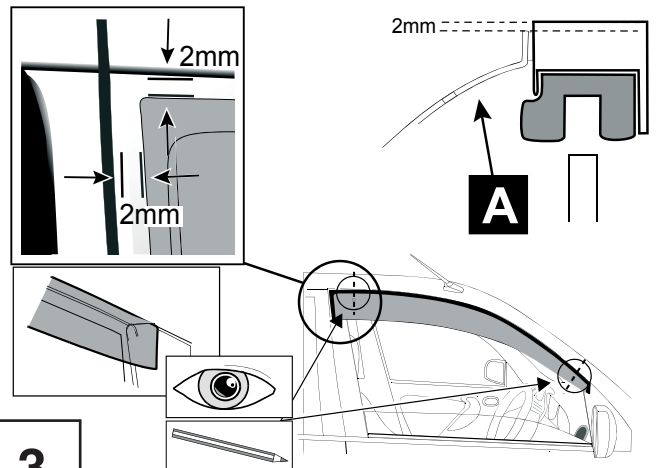




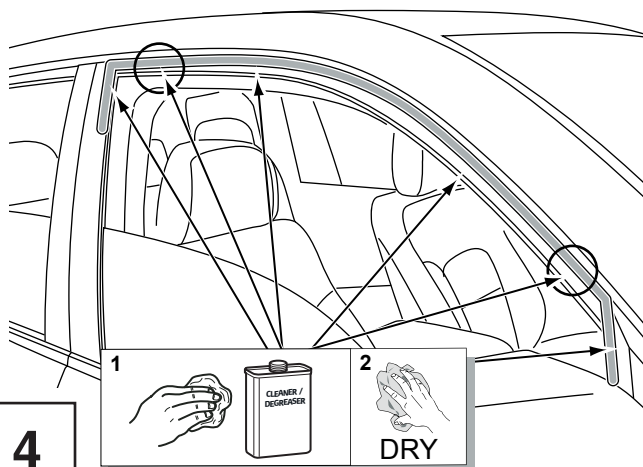
1



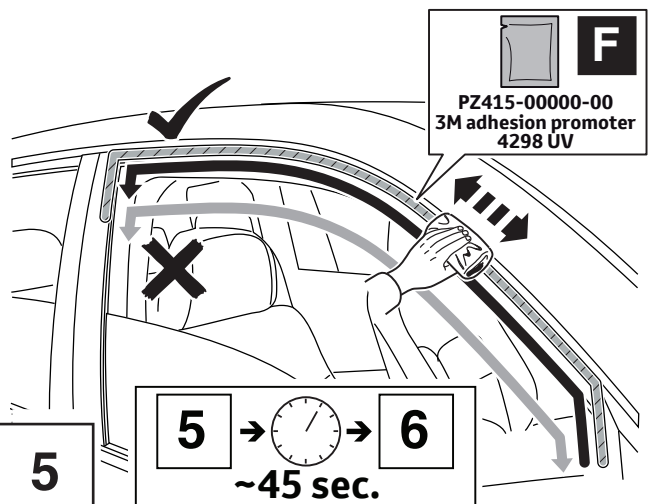
2



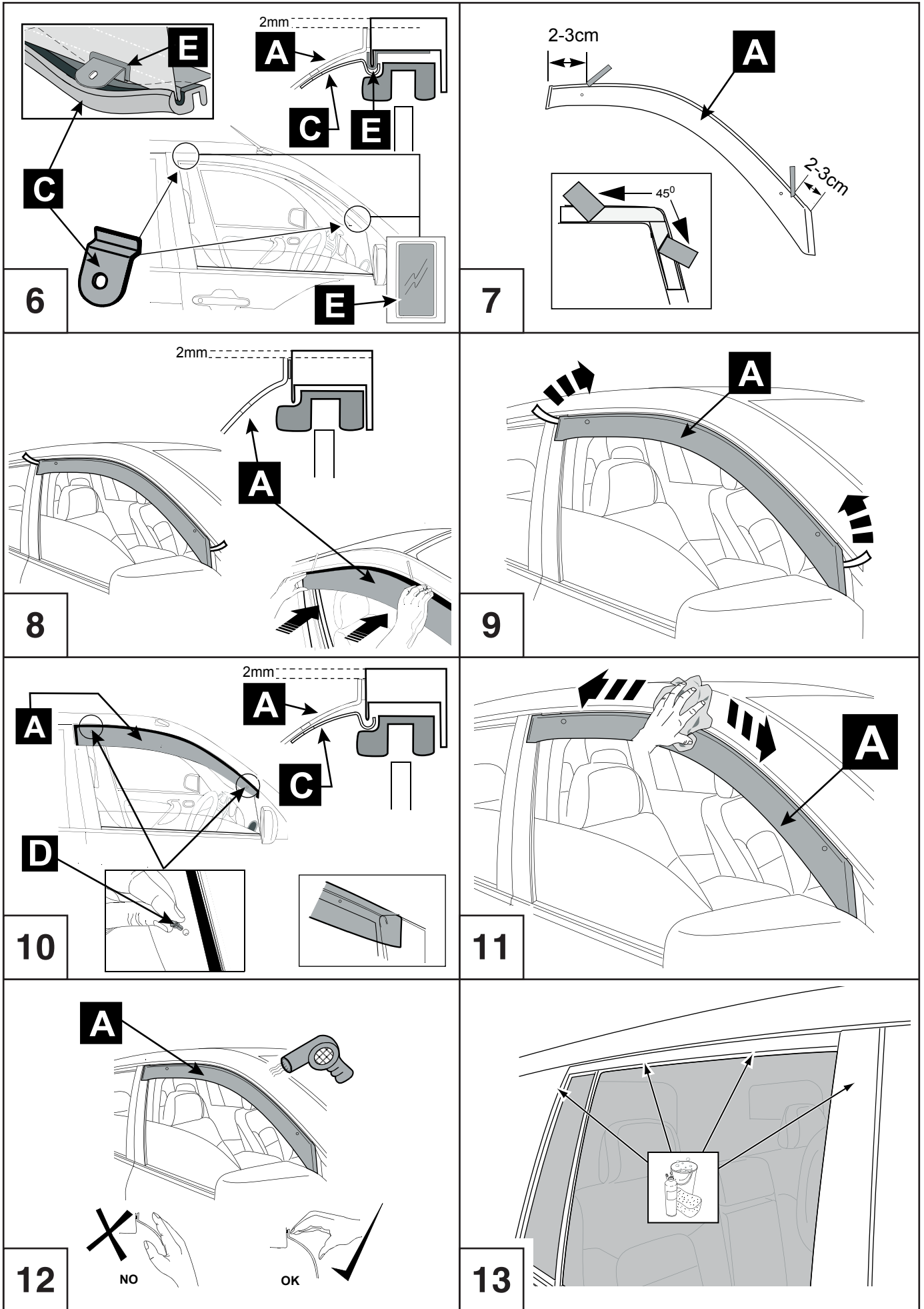
3

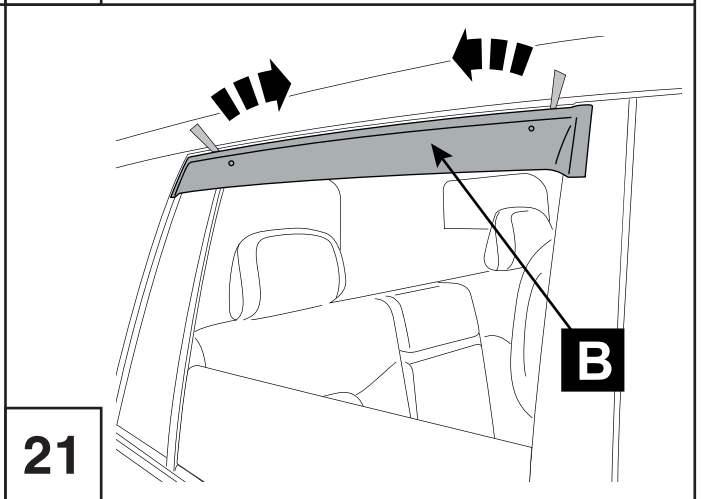
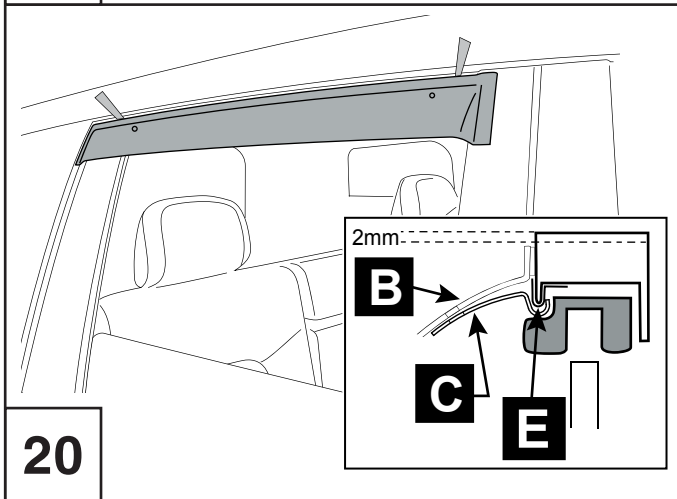
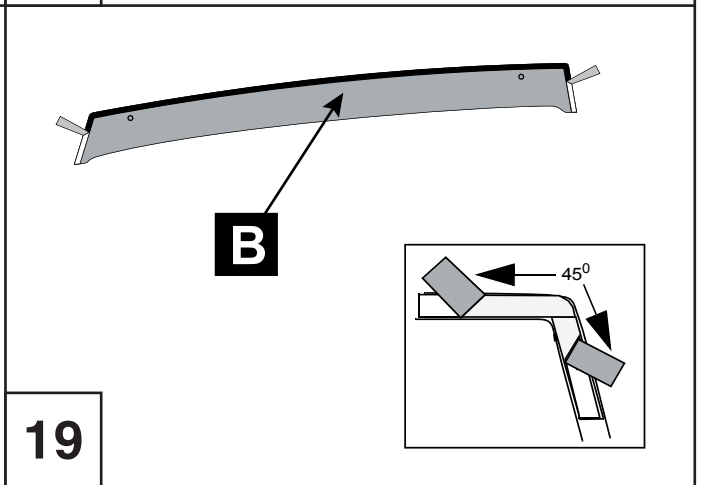
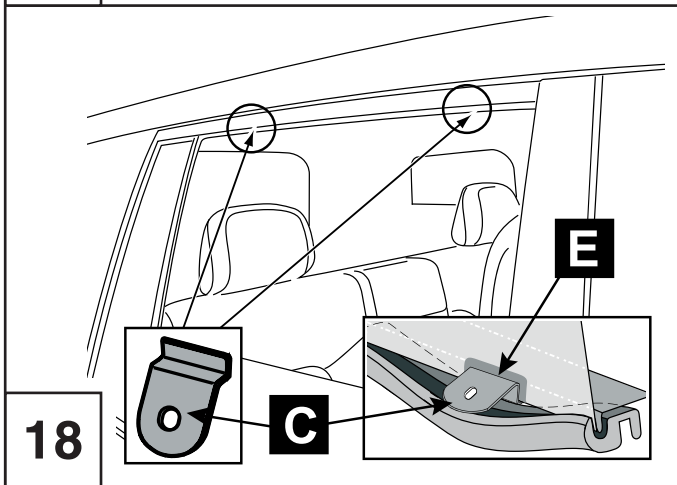
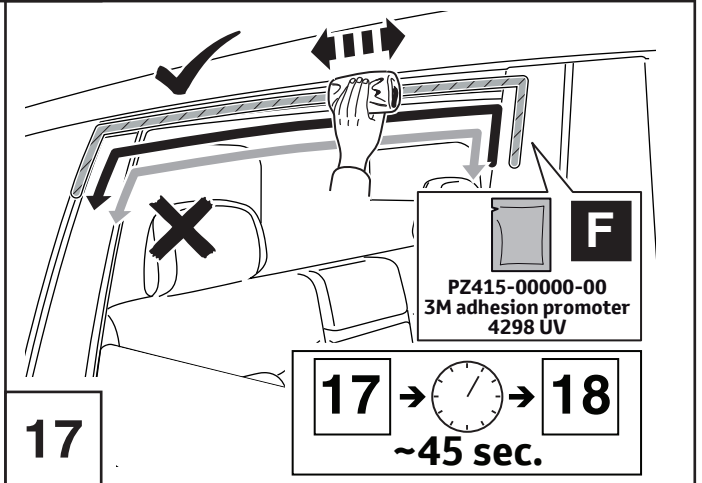
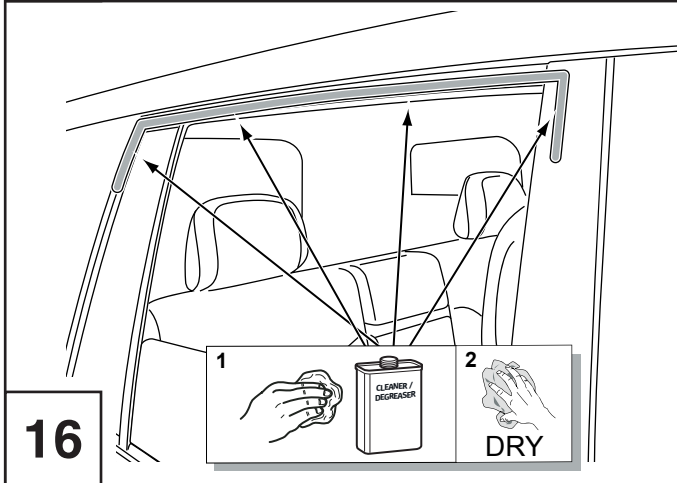
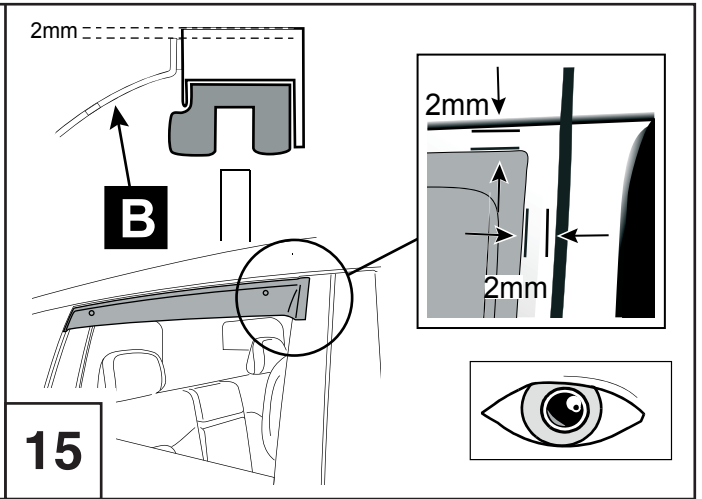
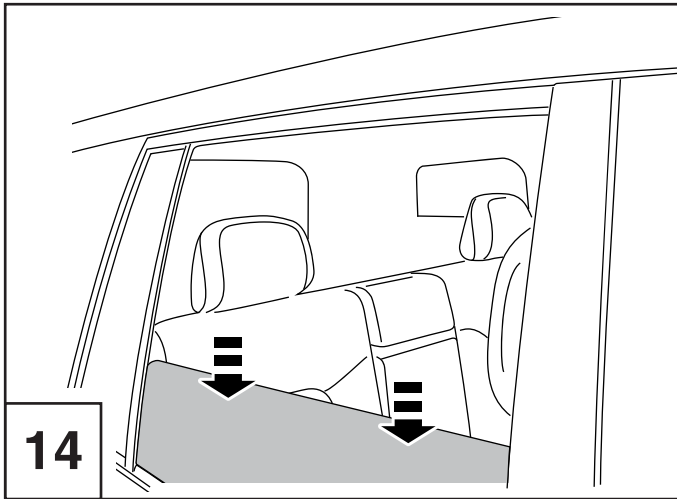


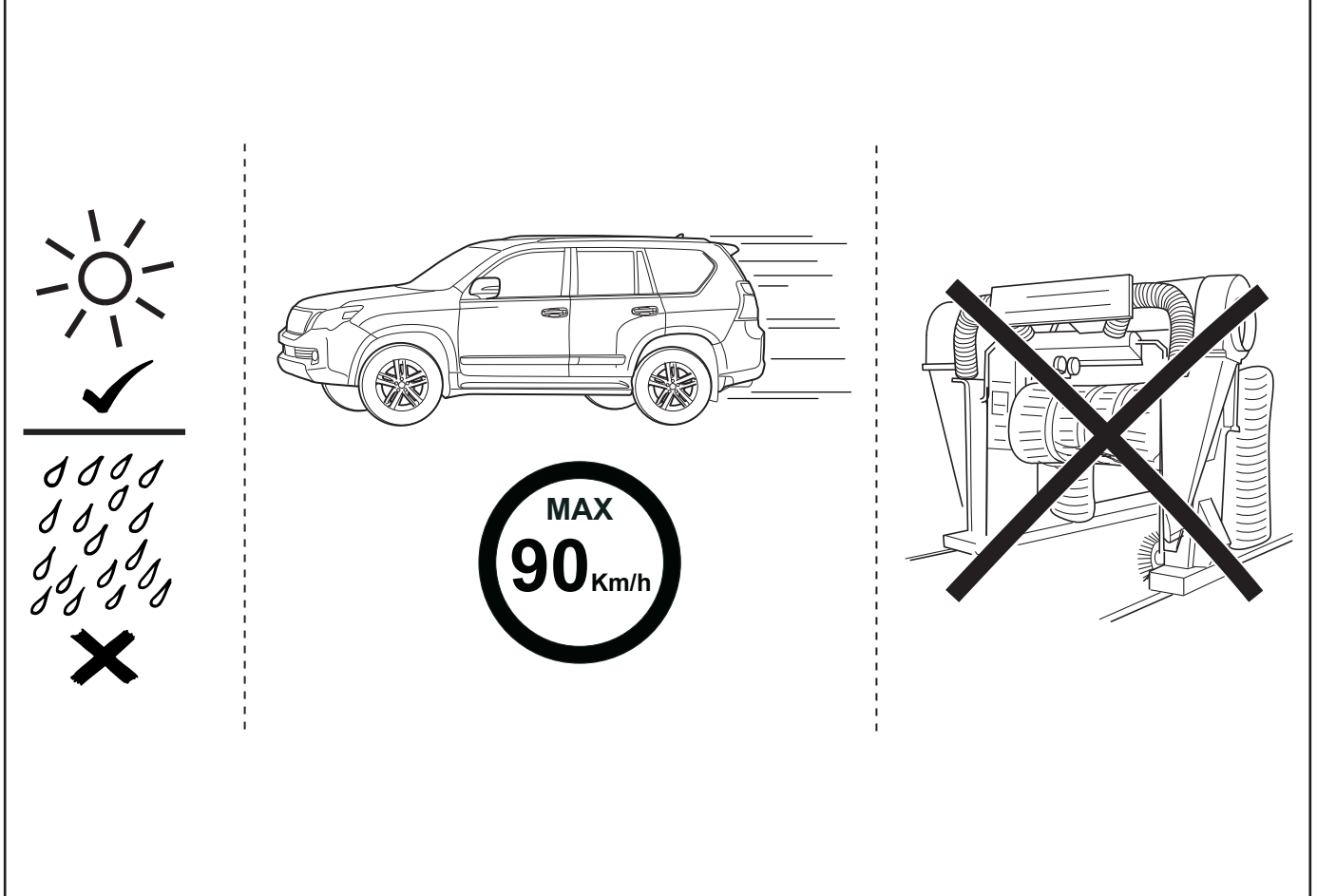
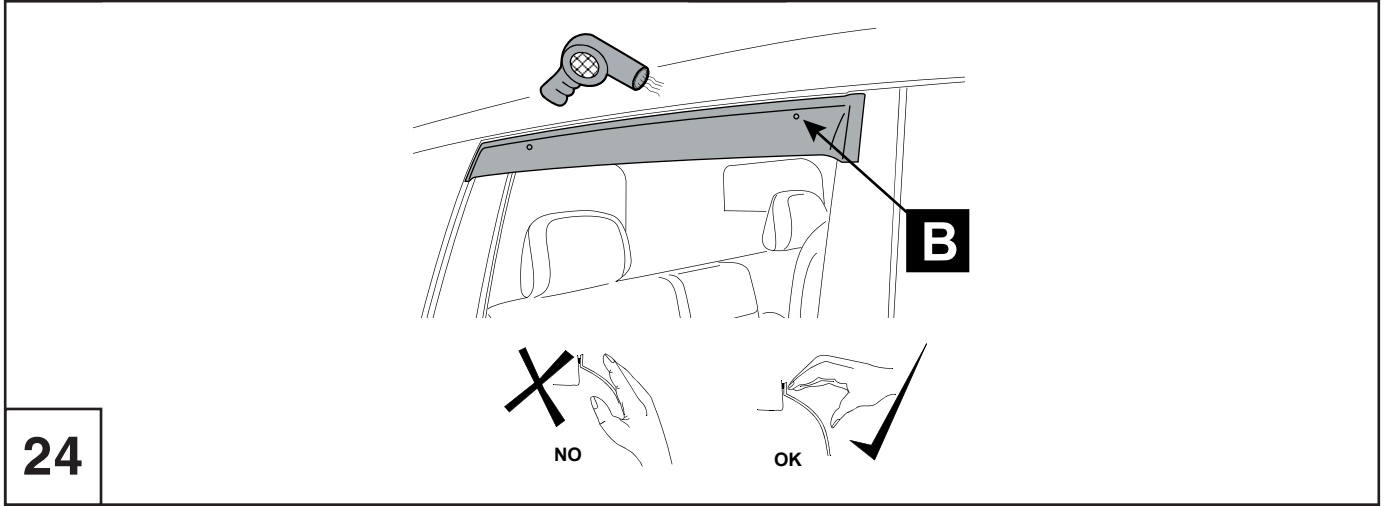
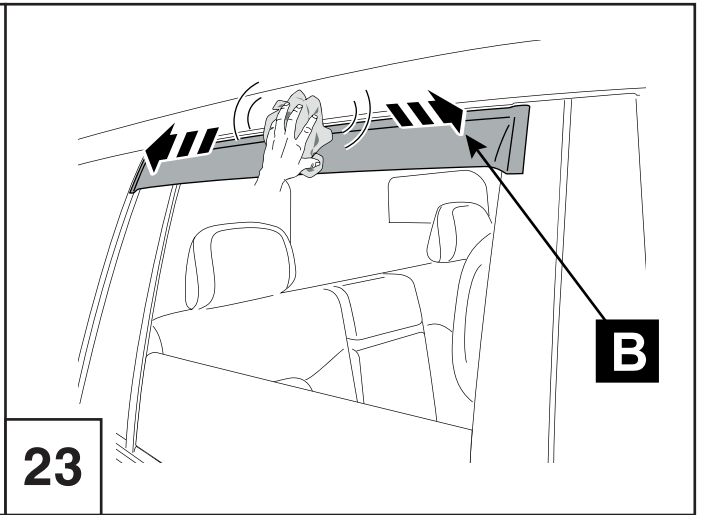
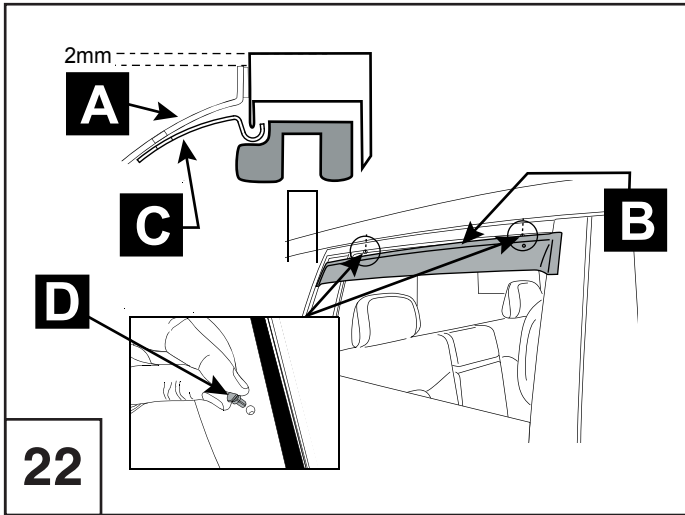
4



5








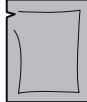
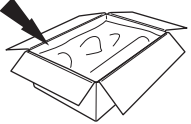
CHECK SHEET



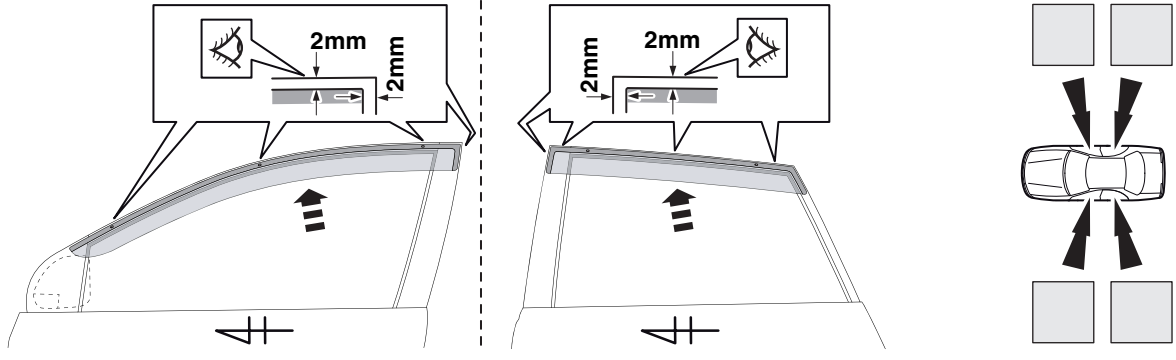
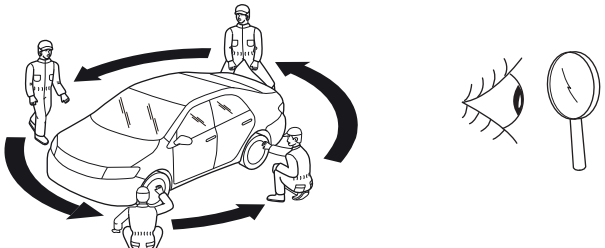
Model / Year GX 2009/11, 2013/08 Wind deflectors

VIN n°

 **P/N = OK**



PZ415-00000-00
3M adhesion promoter
4298 UV

= OK

Installation Date:

. . / . . /

Technician Name & Signature:

Stamp: