

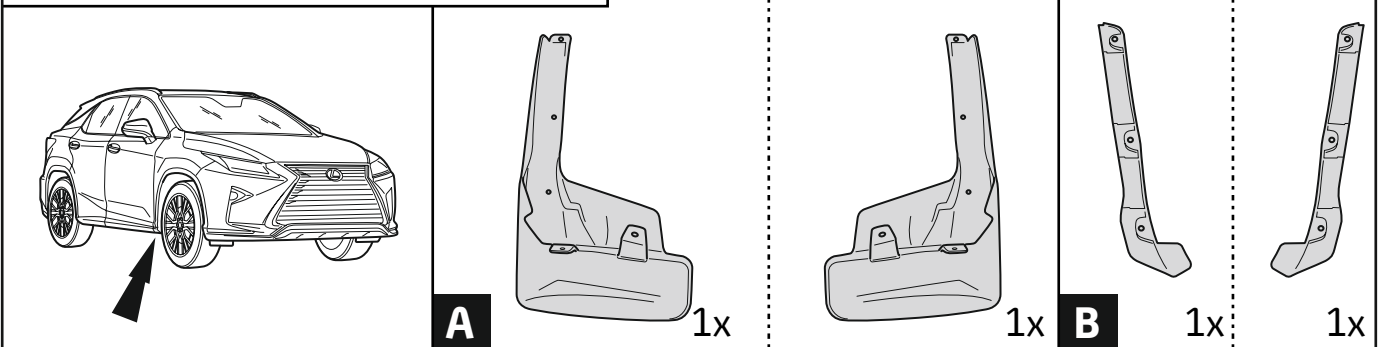
Mud Flaps Front & Rear INSTALLATION INSTRUCTIONS RX

| | | | |
|--------------|---------------------------|------------------|--|
| Model year | 2015/09, 2017/12, 2019/08 | | |
| Vehicle code | **L2**-AW***W | | |
| Part number | PU060-4801E-P1 Full Set | 2015/09, 2017/12 | |
| | PK389-48L00-EP Full Set | 2019/08 | |
| | PU060-4801E-F1 Front Set | | |
| | PU060-4801E-R1 Rear Set | 2015/09, 2017/12 | |
| | PK389-48L00-ER Rear Set | 2019/09 | |

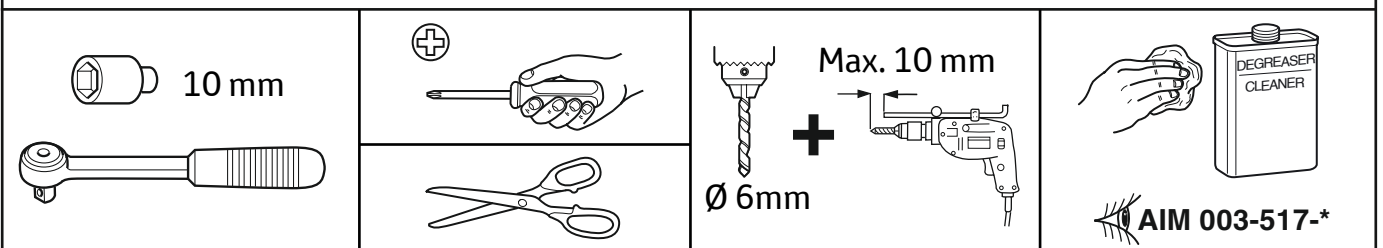
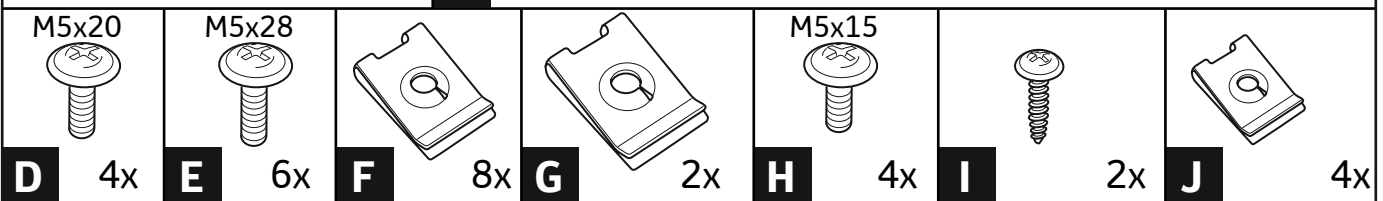
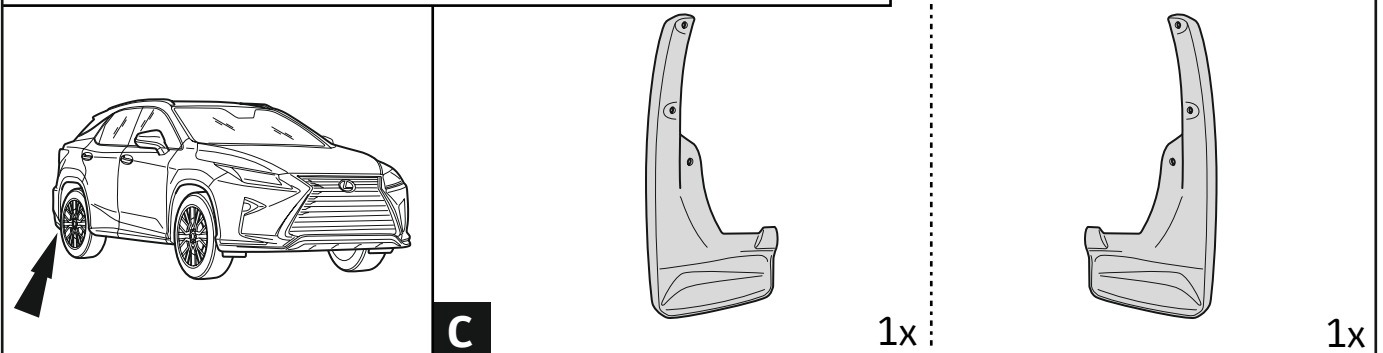
Revision Record

| Rev. No. | Date | Page | Step | Remarks |
|----------|----------|---------|-------|----------------------------|
| 1 | 09-12-15 | 1, 2 | | Part number update |
| 2 | 10-09-19 | 1, 3, 6 | 1, 11 | Model year, step 11 update |
| | | | | |
| | | | | |
| | | | | |

PU060-4801E-F1 (Front set mud flaps)

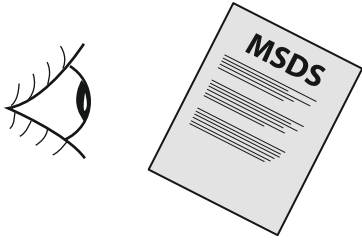


PU060-4801E-R1/PK389-48L00-ER (Rear set mud flaps)



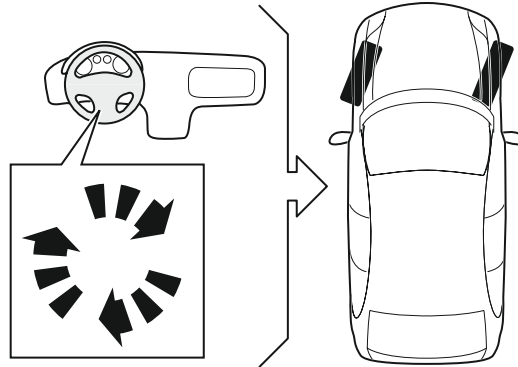
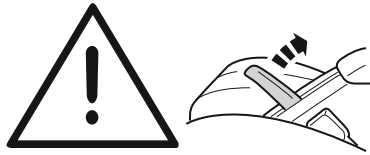
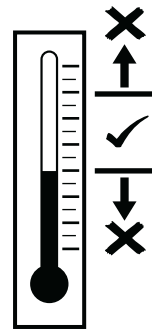
INFORMATION

Material Safety Data Sheet

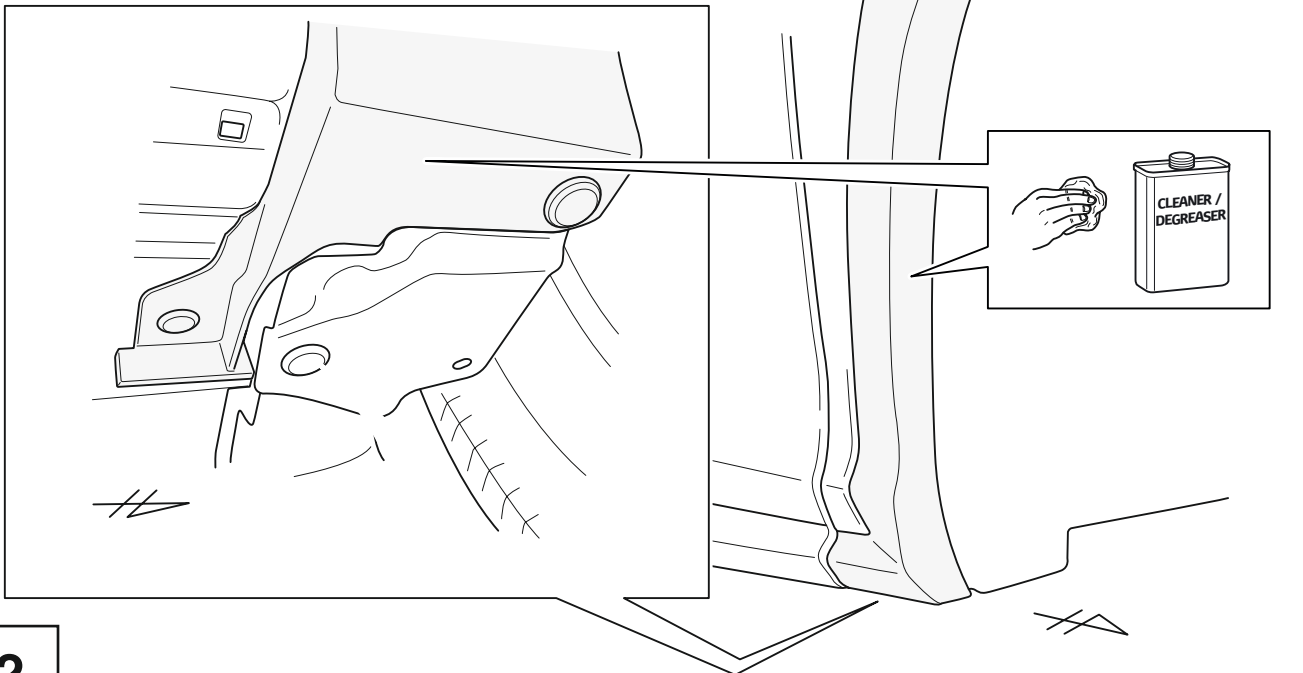
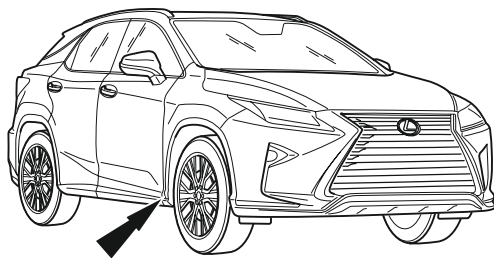


40°C

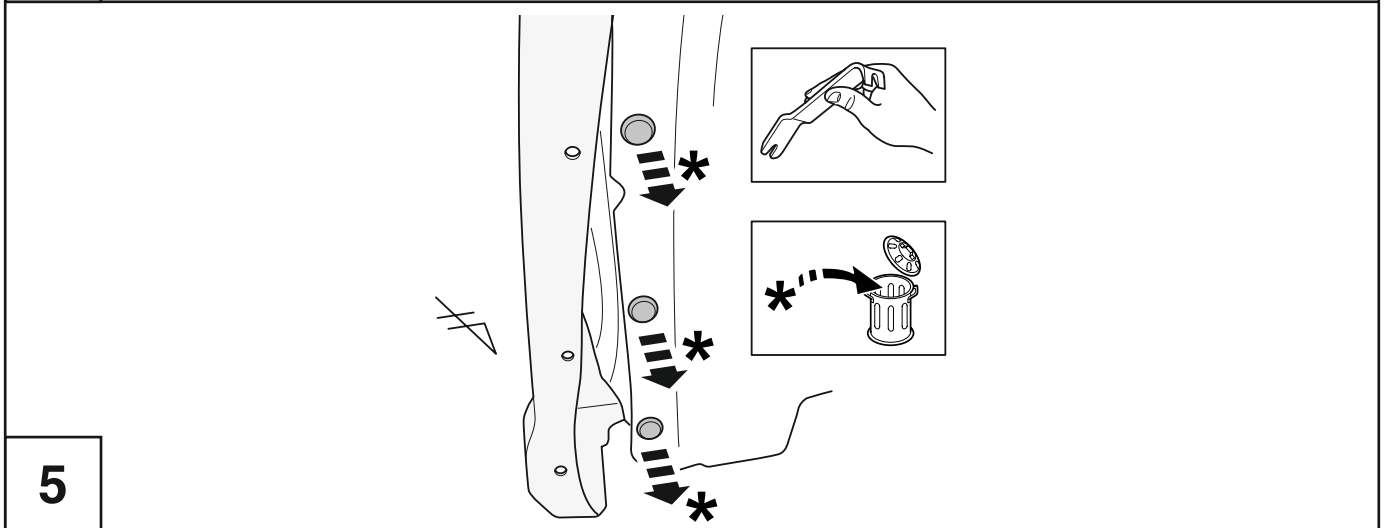
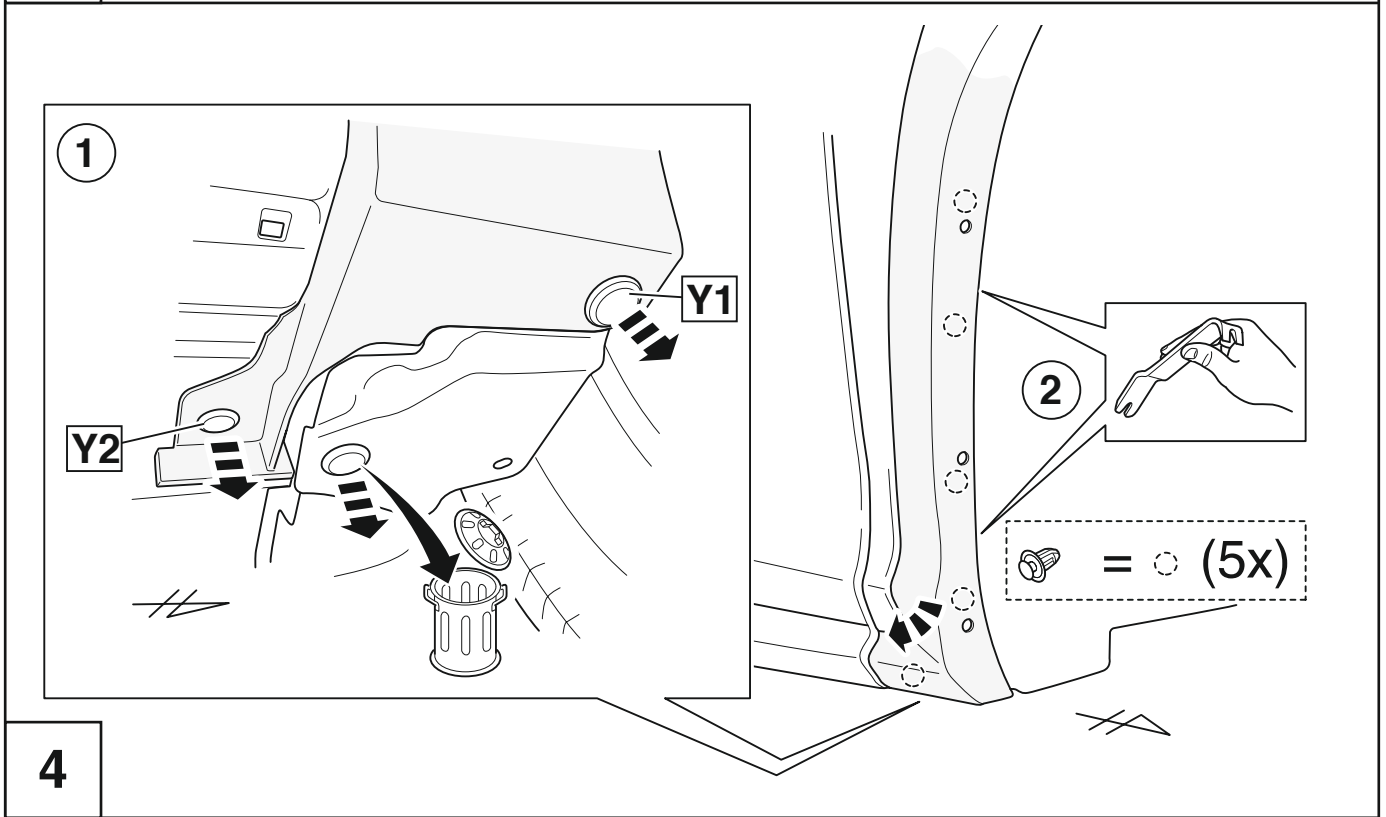
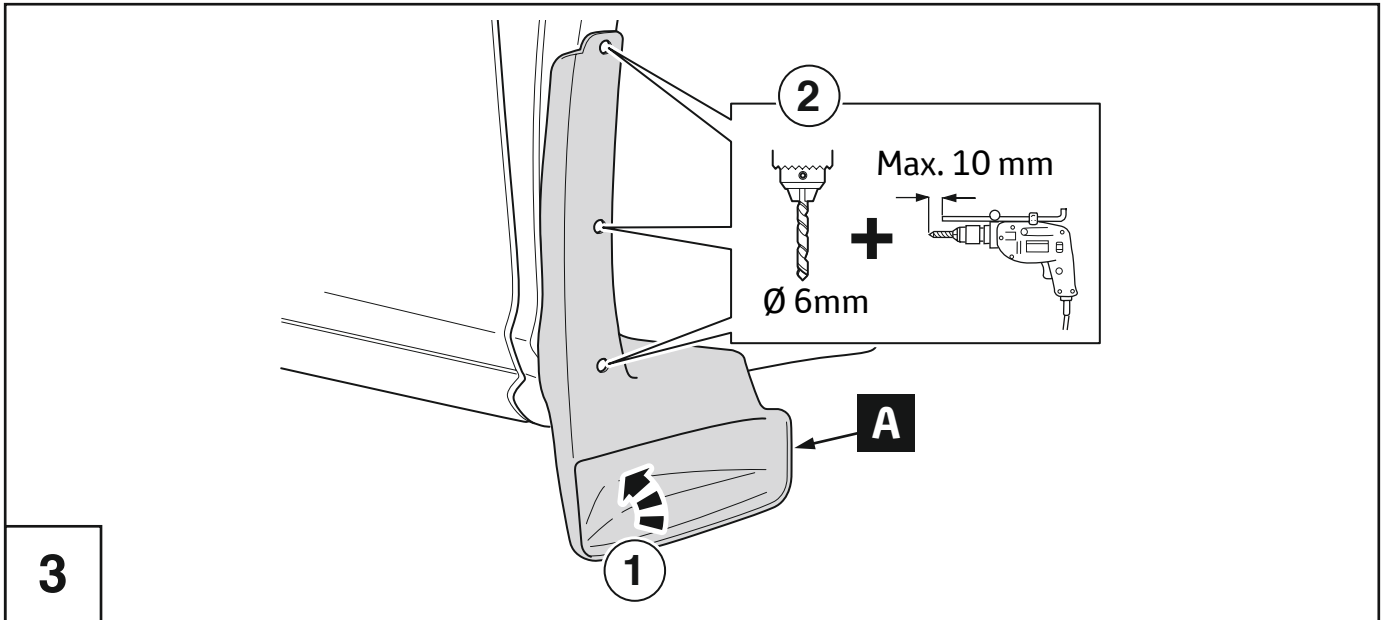
18°C

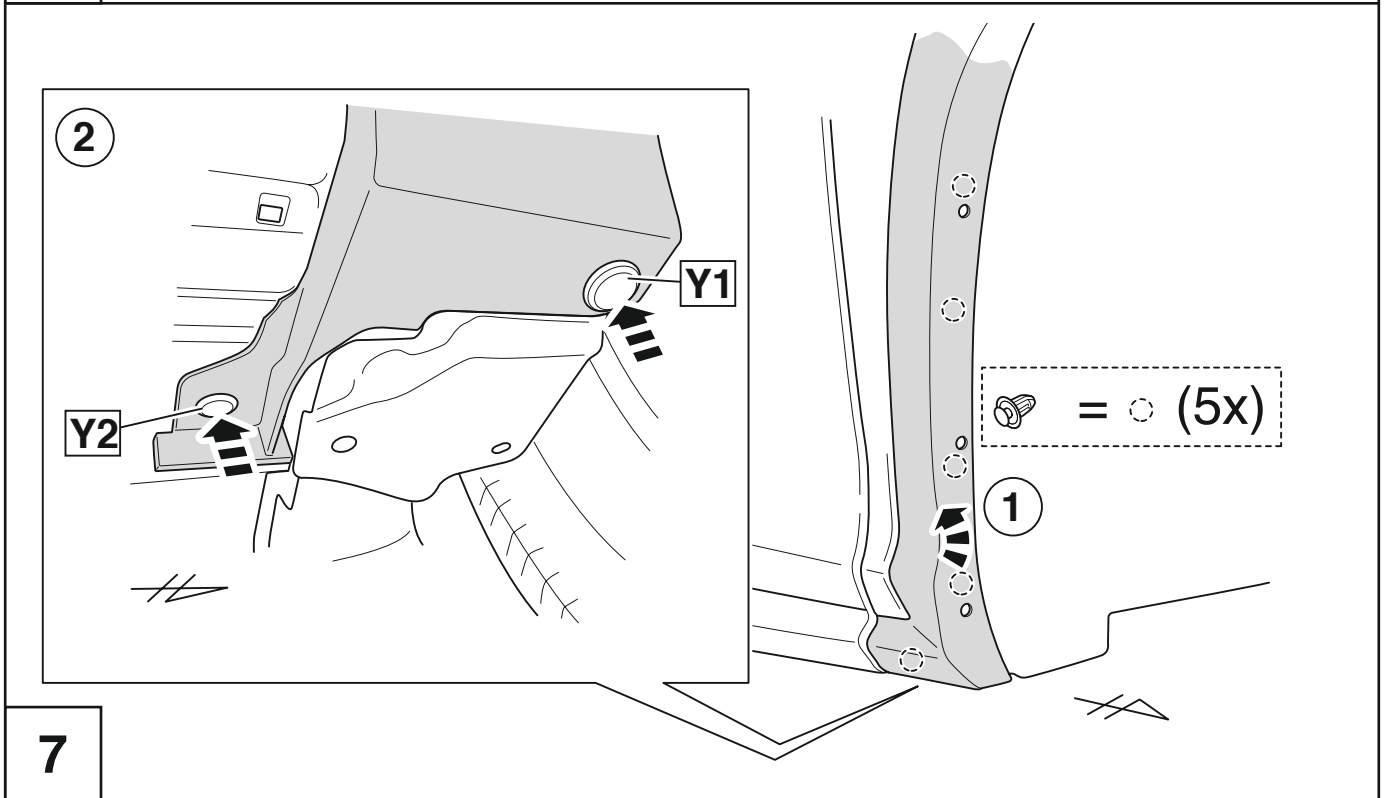
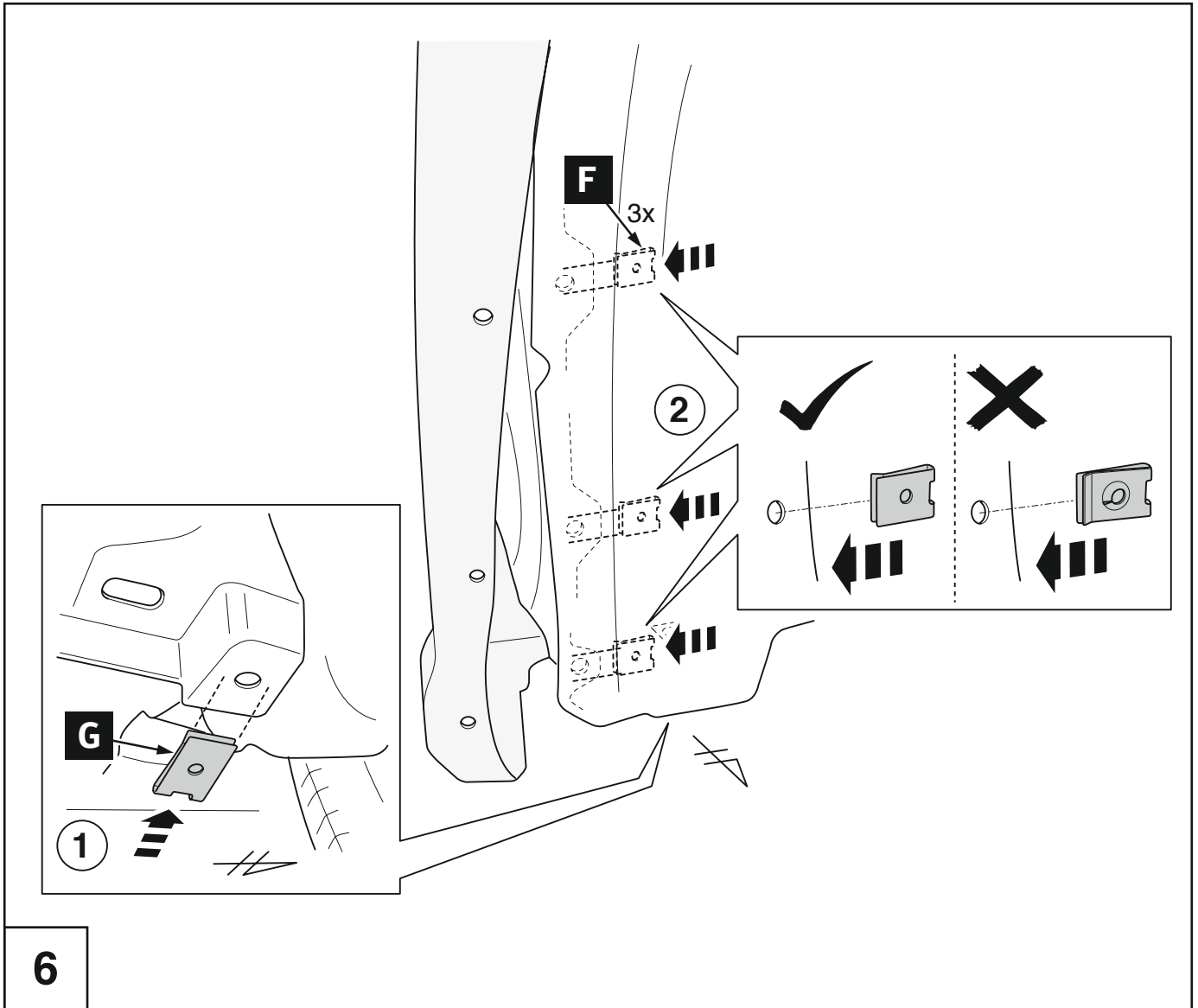


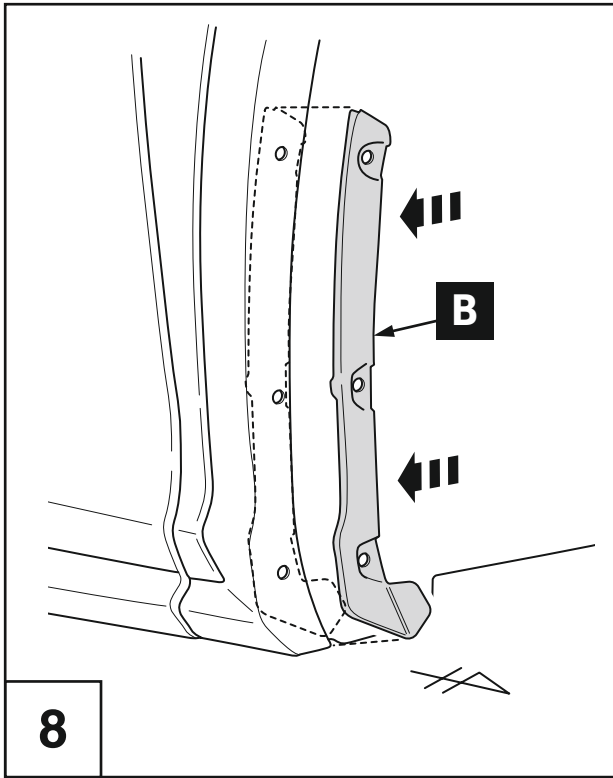
1



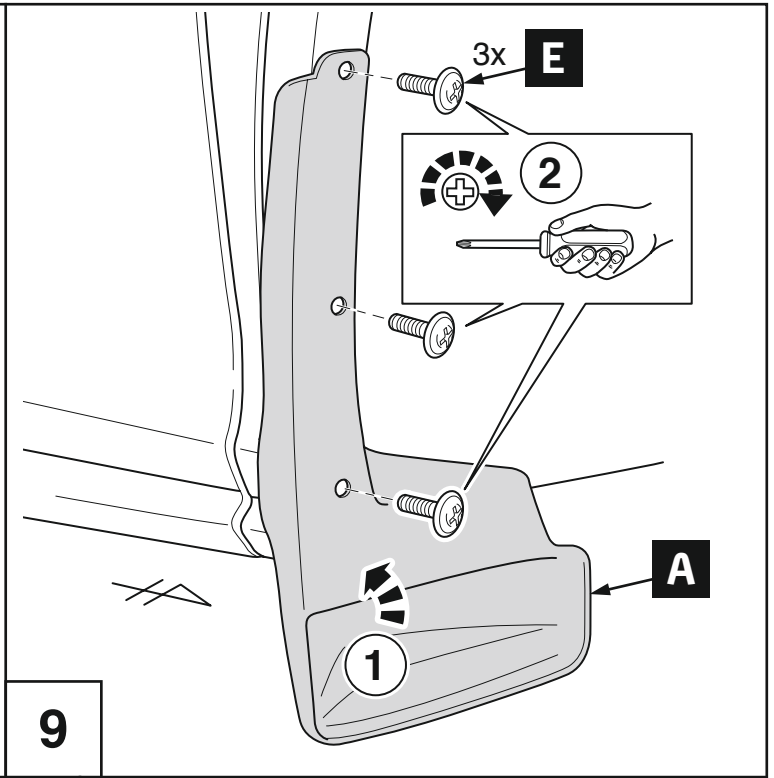
2



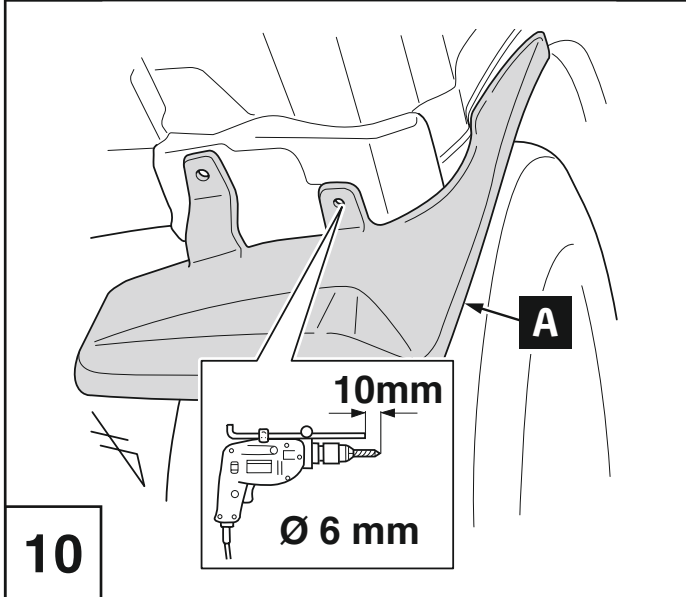




8



9

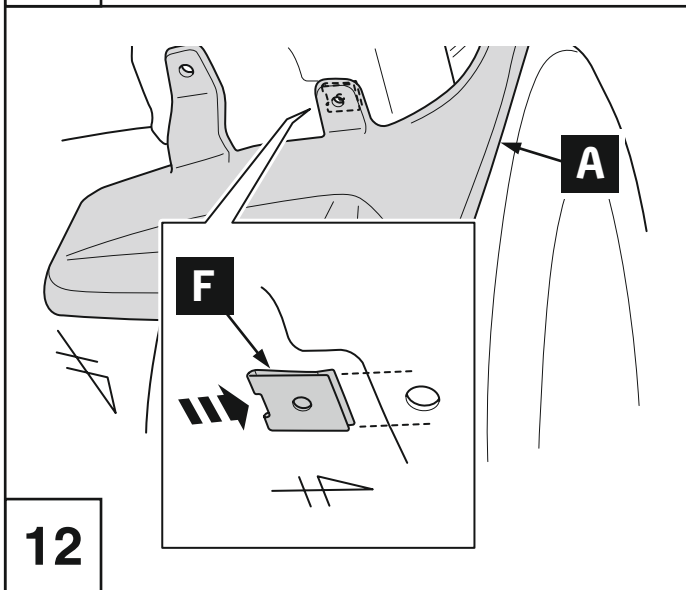


10

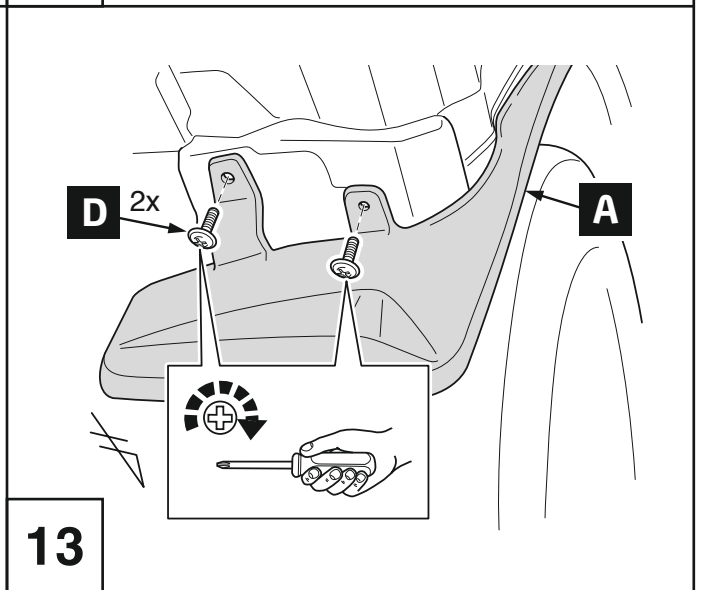
OPTION: Install Side Steps

🔪 AIM 003-702-*

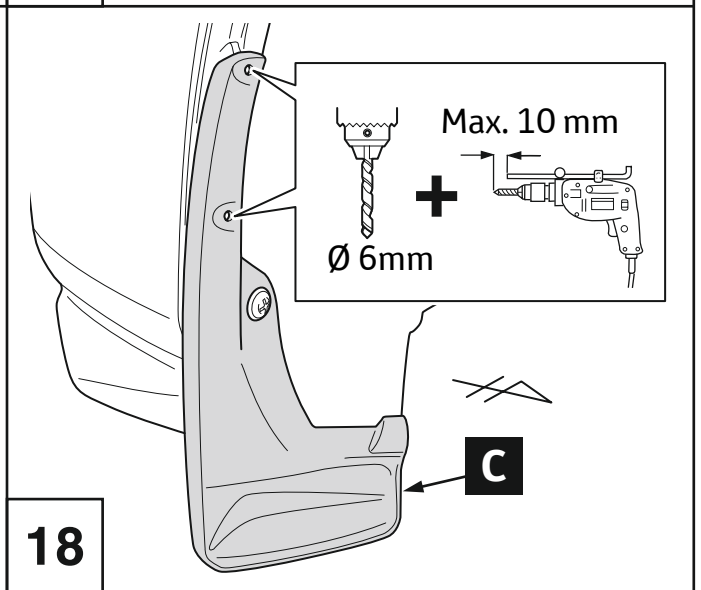
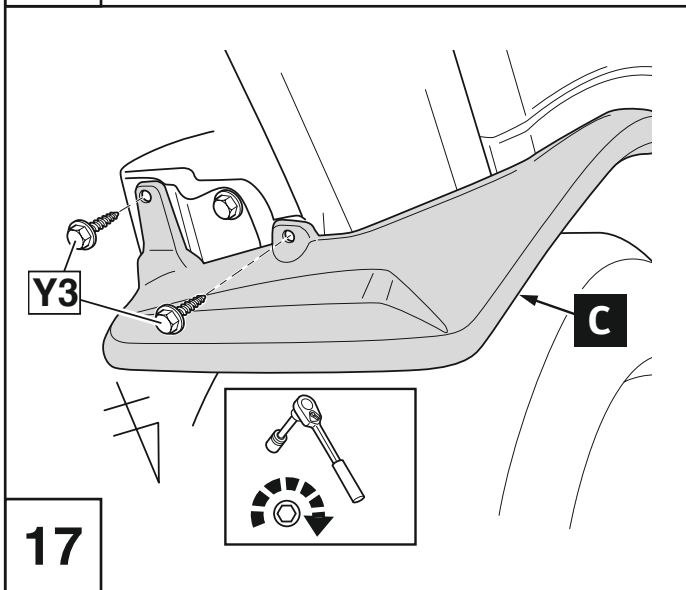
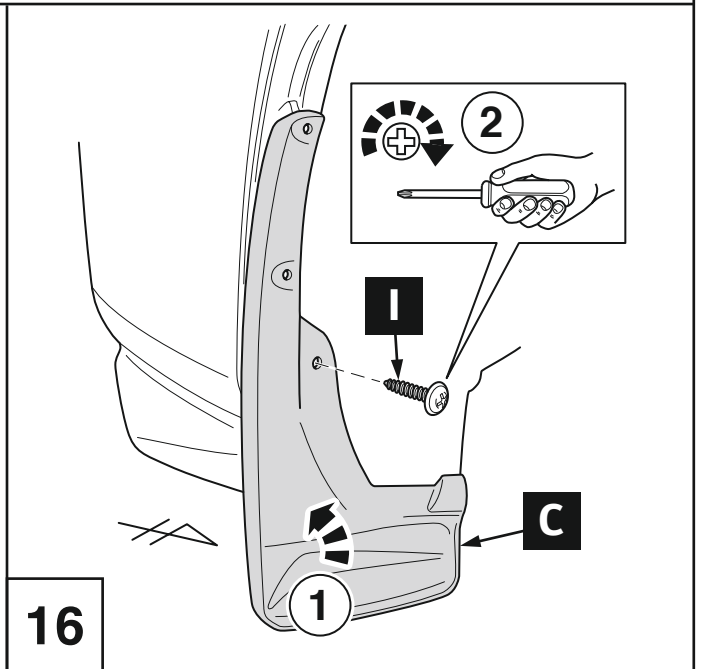
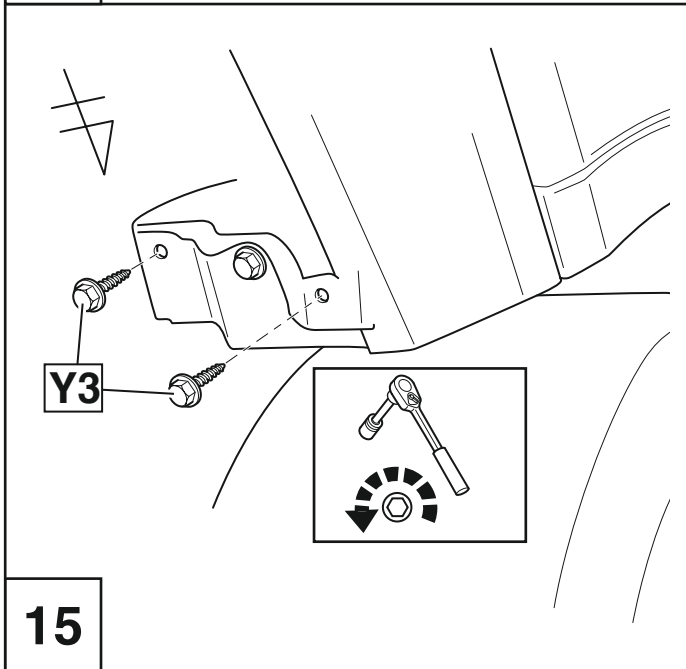
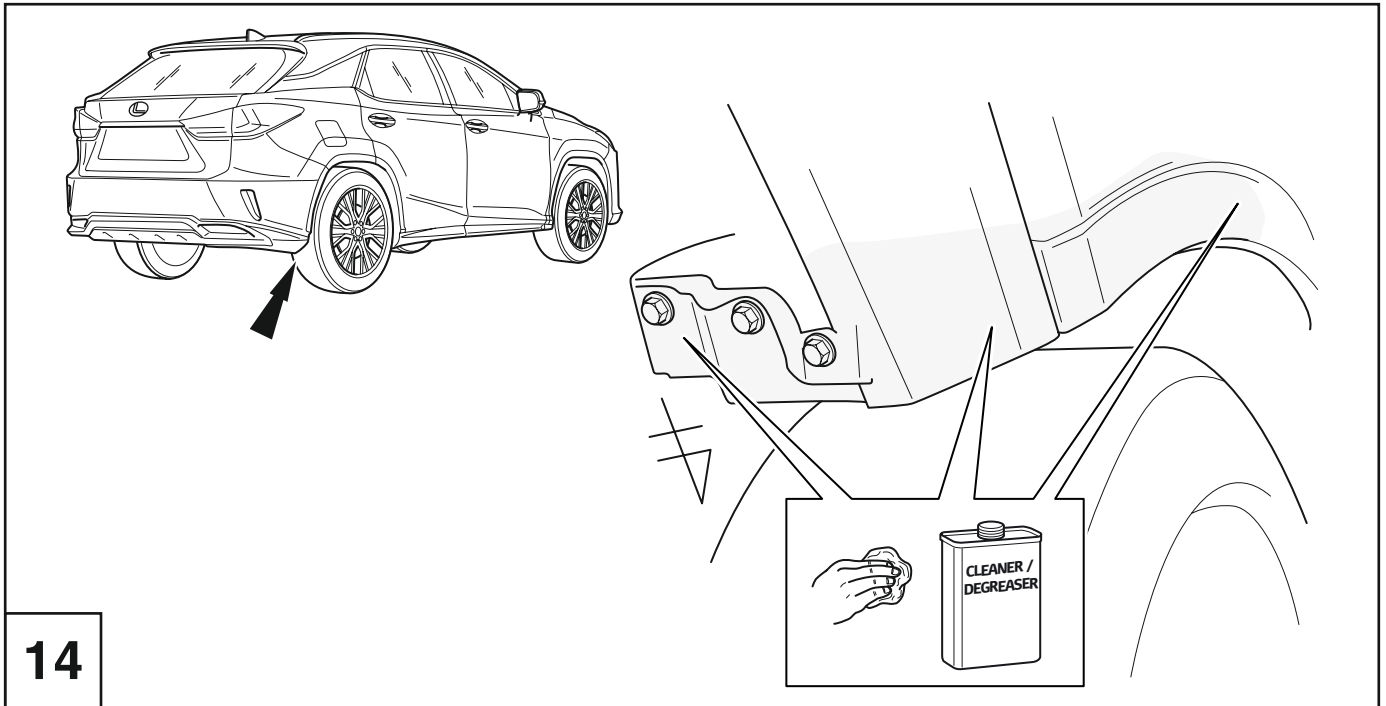
11

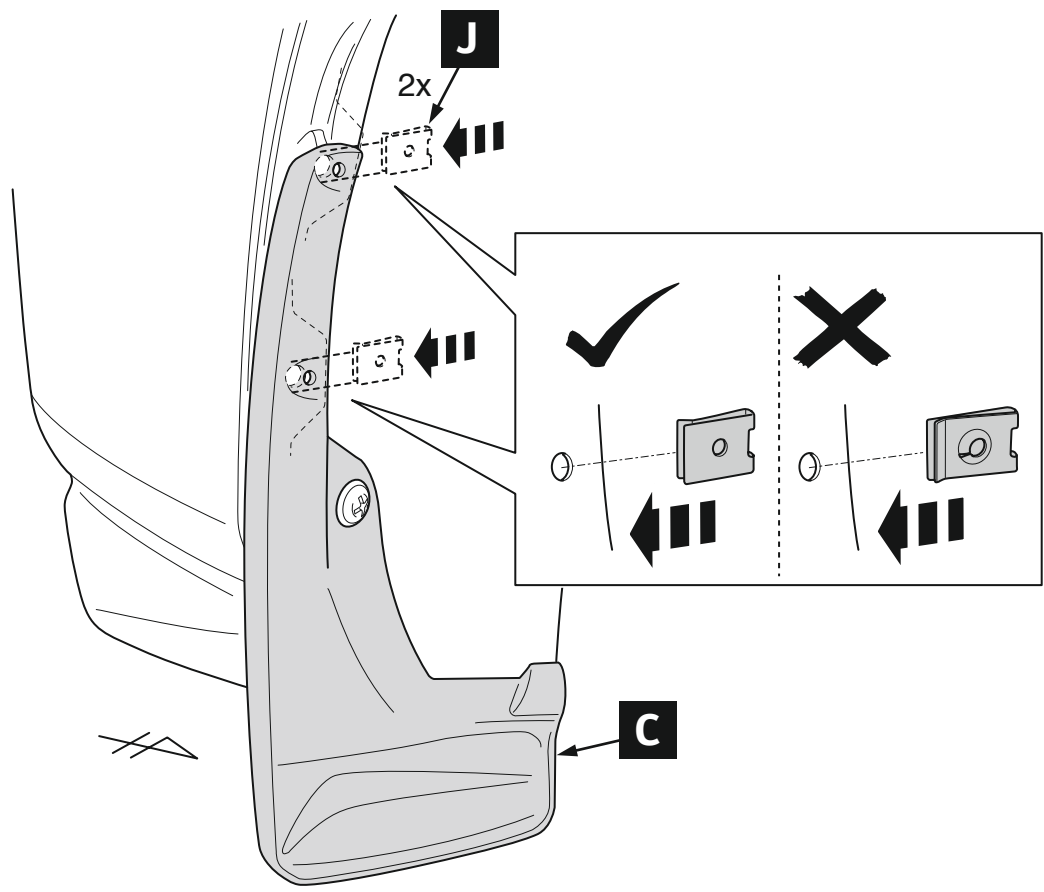


12

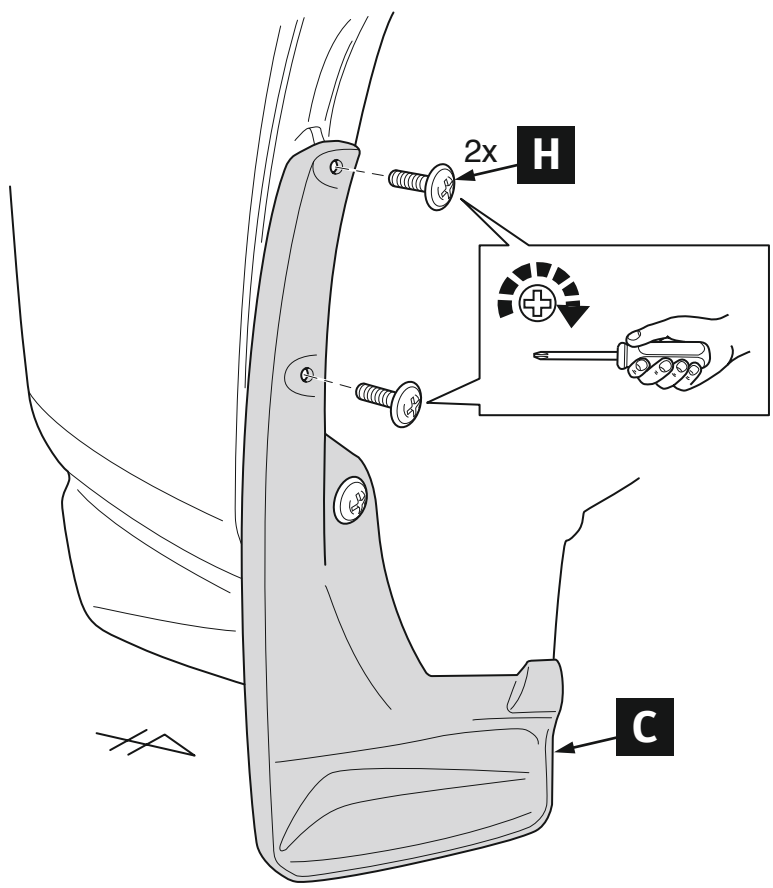


13





19



20

CHECK SHEET Page 1 of 1

Model/Year RX Mud Flaps
2015/09, 2017/12, 2019/08 Front & Rear

VIN n°

DURING INSTALLATION

1

P/N = OK

2

LH = RH

3

LH = RH

AFTER INSTALLATION

1

= OK

Installation Date:
 . . / . . /

Technician Name & Signature:

Stamp: