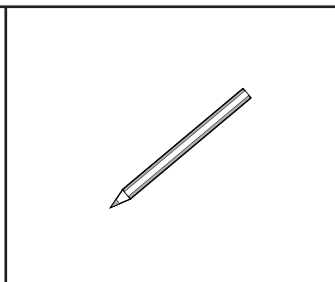
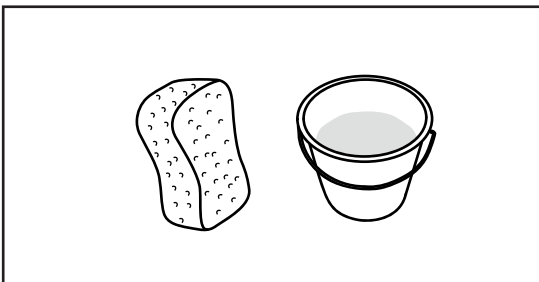
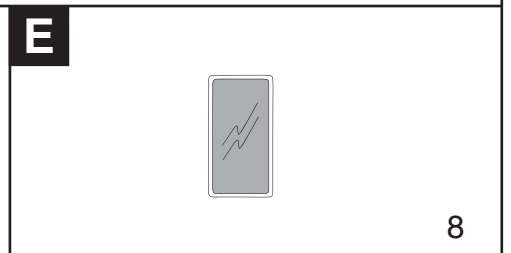
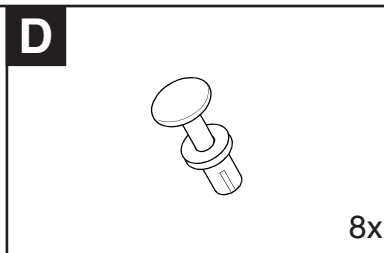
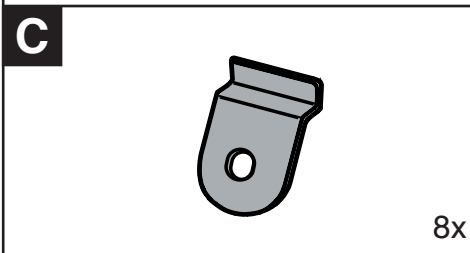
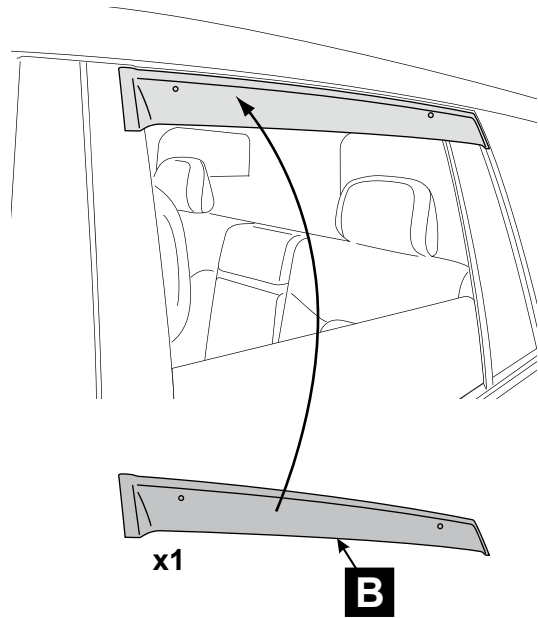
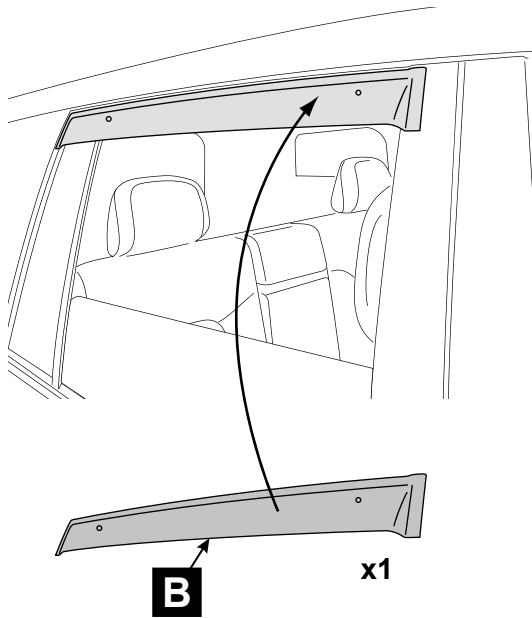
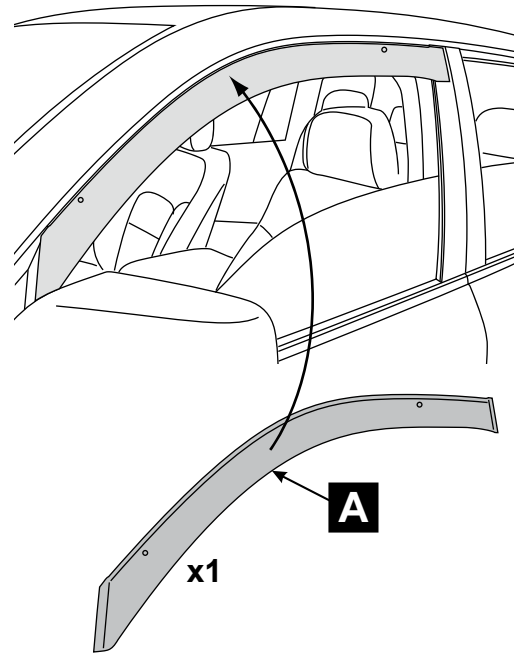
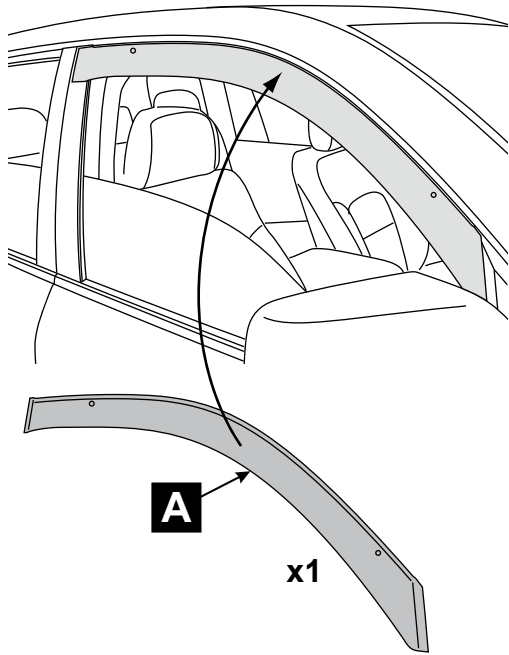


Wind deflectors INSTALLATION INSTRUCTIONS GX

Model year	2009/11, 2013/08
Vehicle code	URJ150L-GKTZKW
Part number	PZ451-J8531-ZA

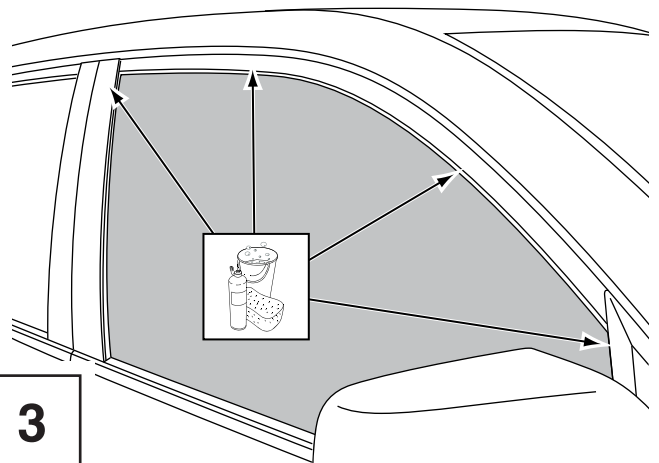
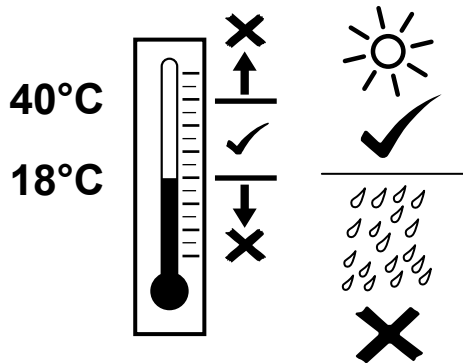
Revision Record

Rev. No.	Date	Page	Picture	Update	New	Deleted
1	08/07/2013	4	1		x	
		4	2	x		
		7	25		x	
		8	Check Sheet		x	



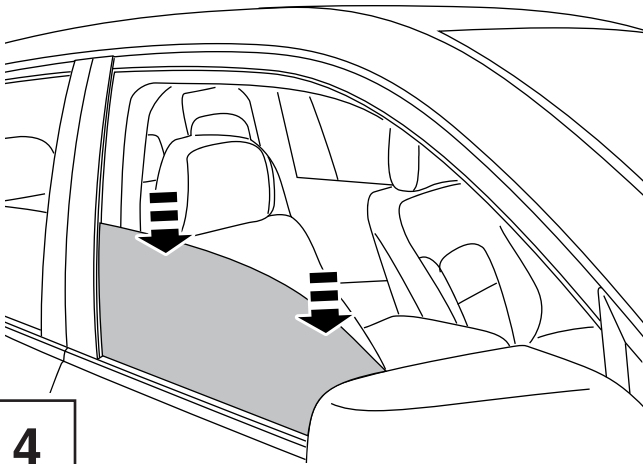


1

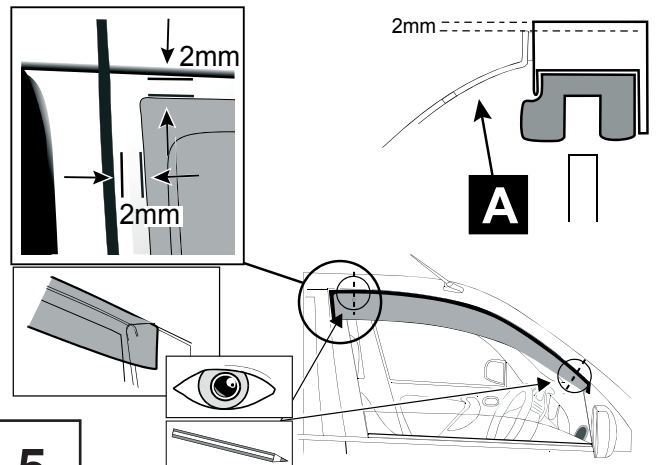


2

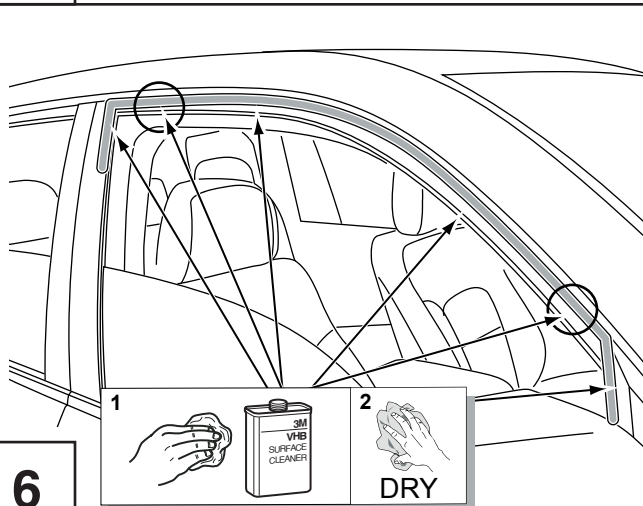
3



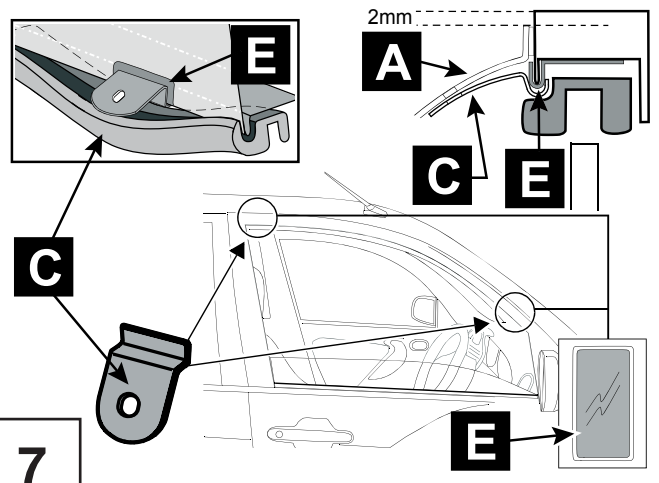
4



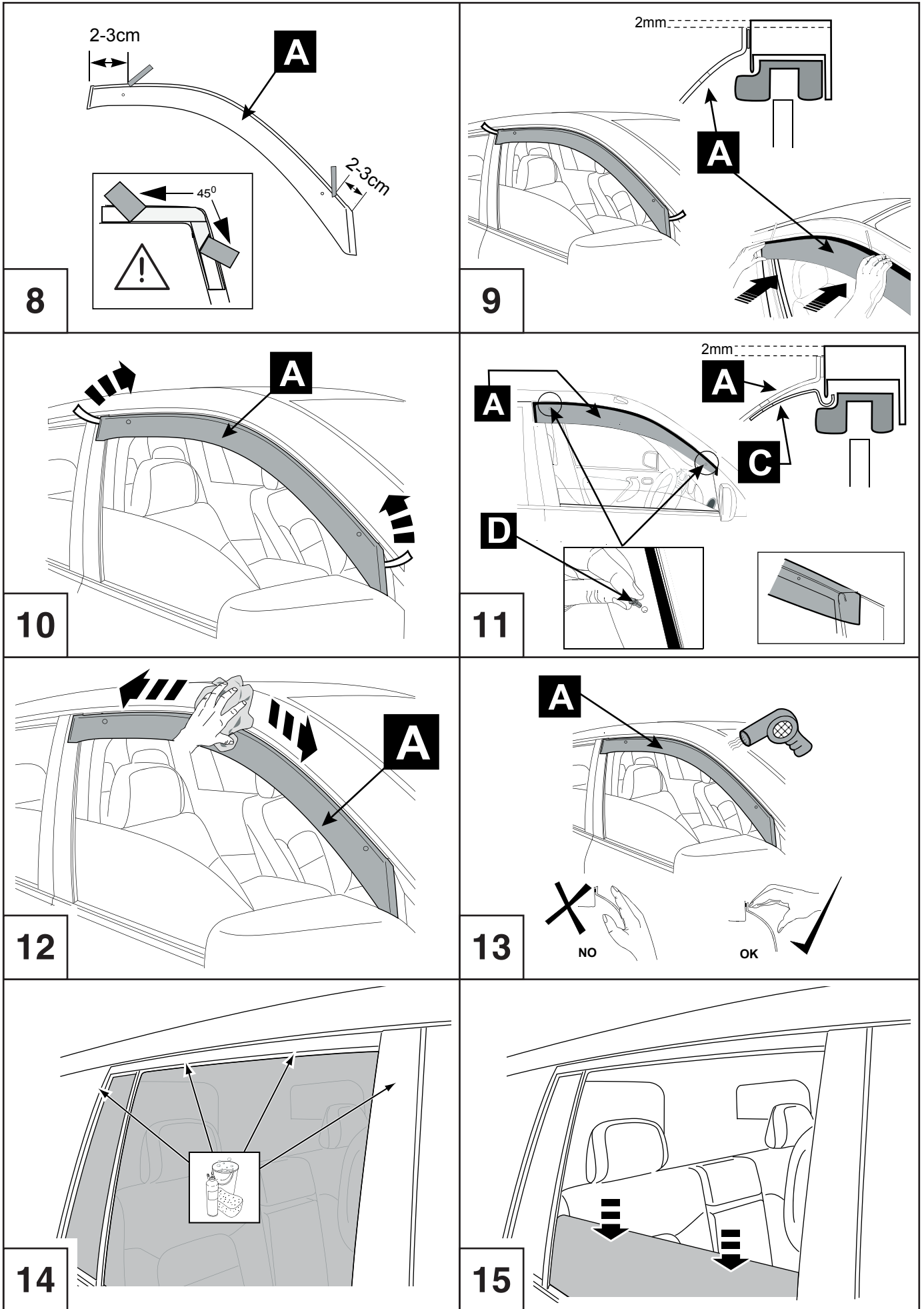
5

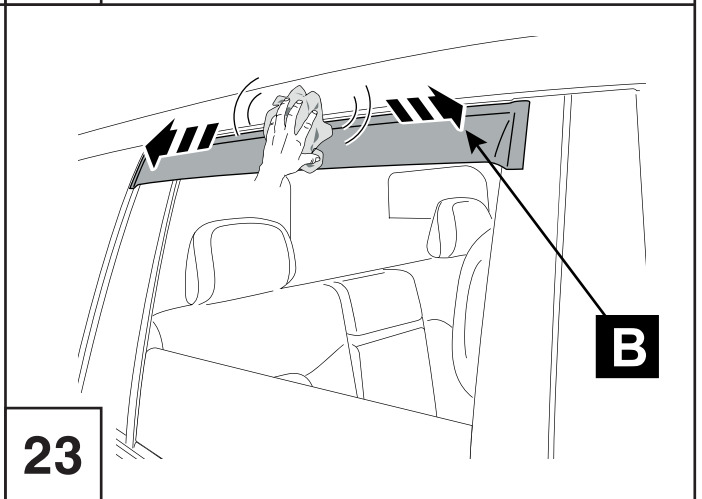
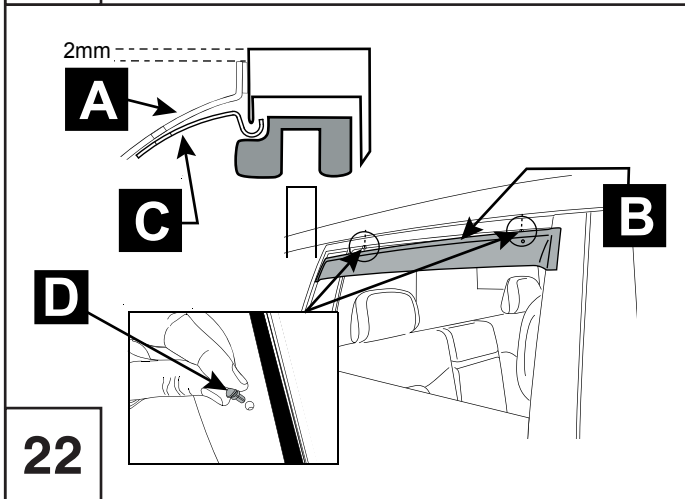
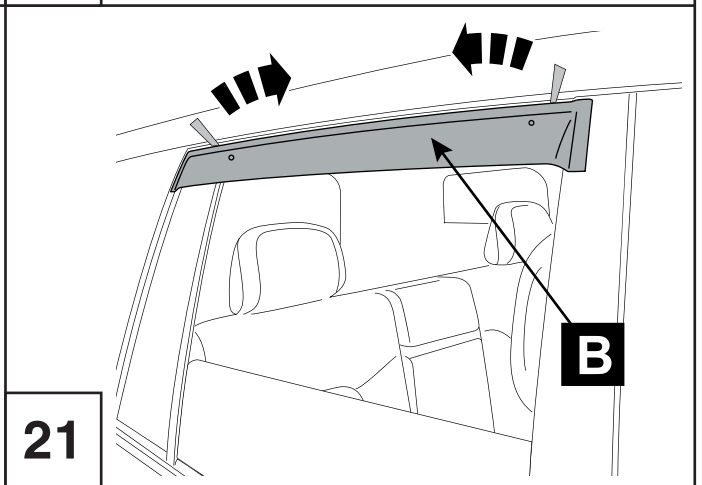
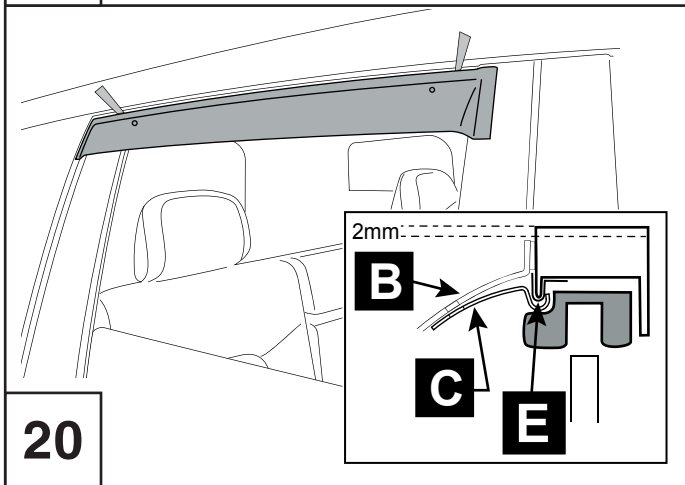
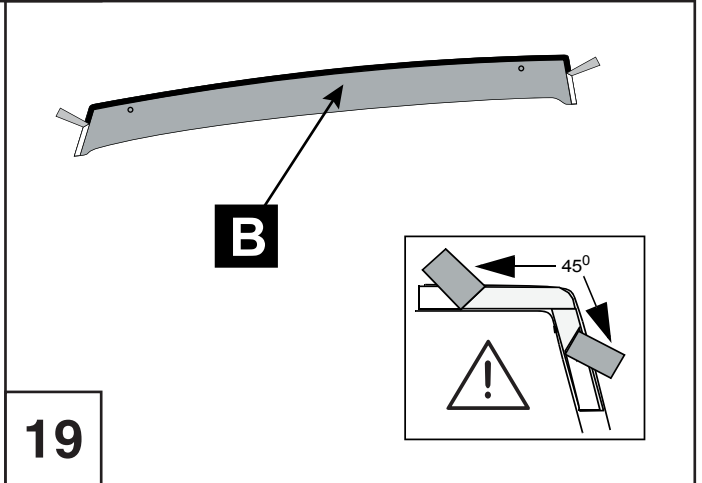
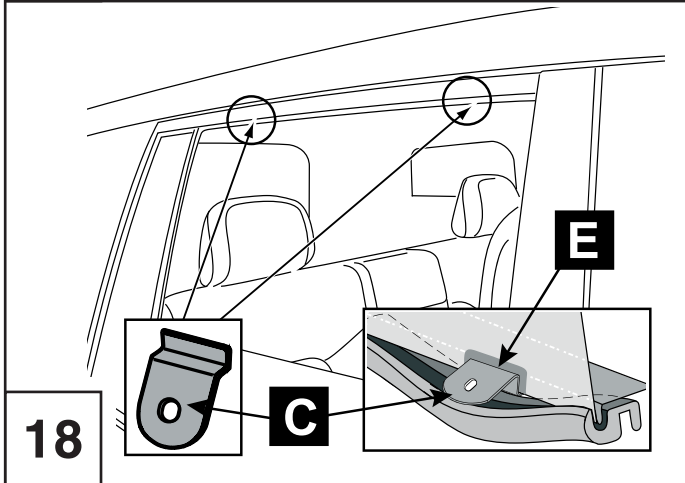
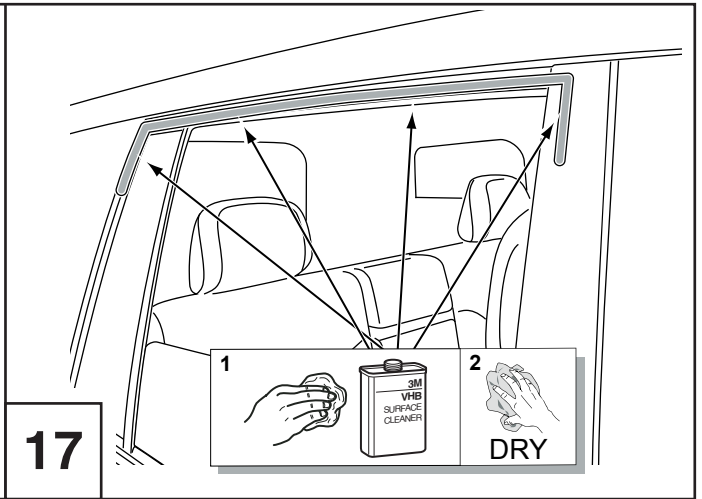
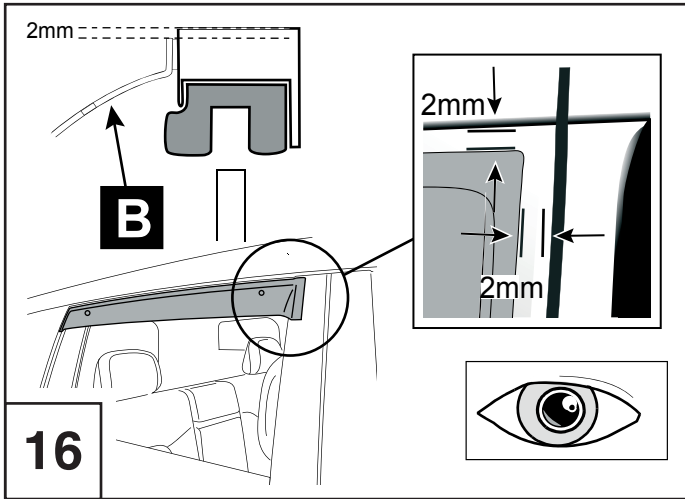


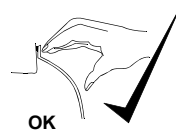
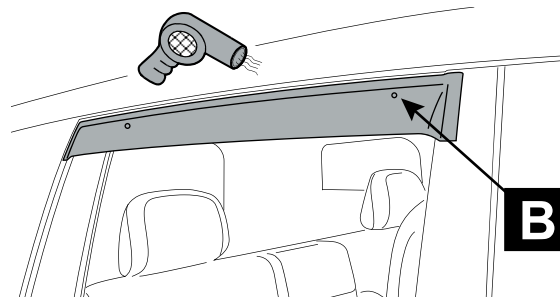
6



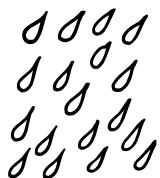
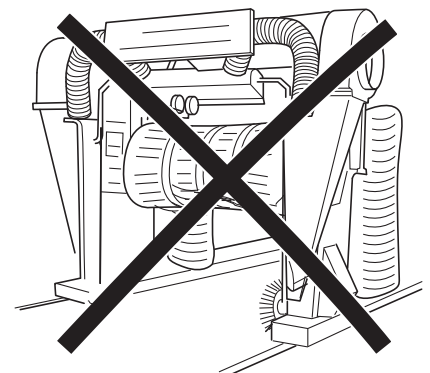
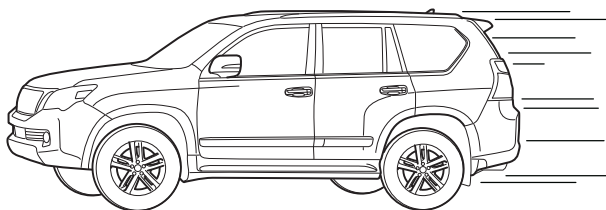
7







24




25

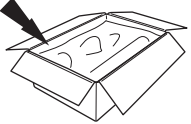
CHECK SHEET




Model / Year GX 2009/11, 2013/08 Wind deflectors

VIN n°


 **P/N = OK**

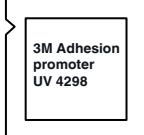


40°C

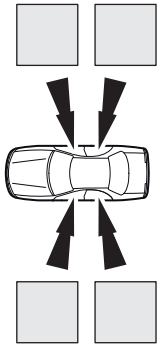
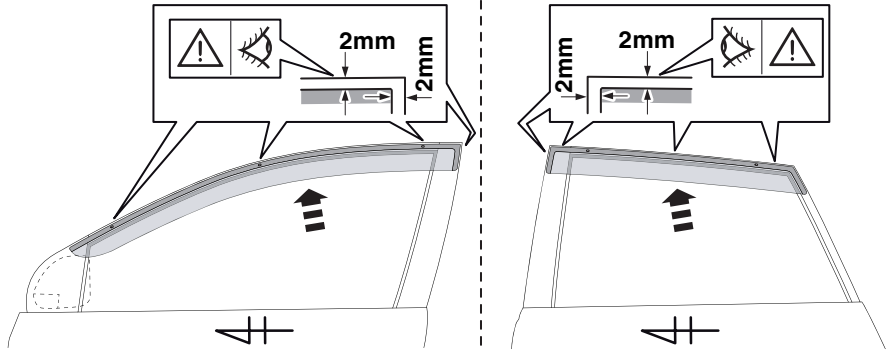


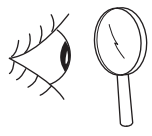
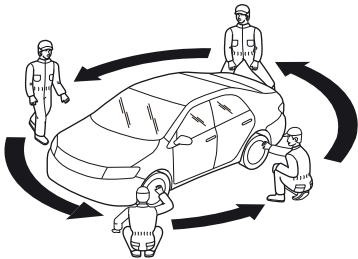
18°C





**3M Adhesion promoter
UV 4298**



= OK

Installation Date:

. . / . . /

Technician Name & Signature:

Stamp: