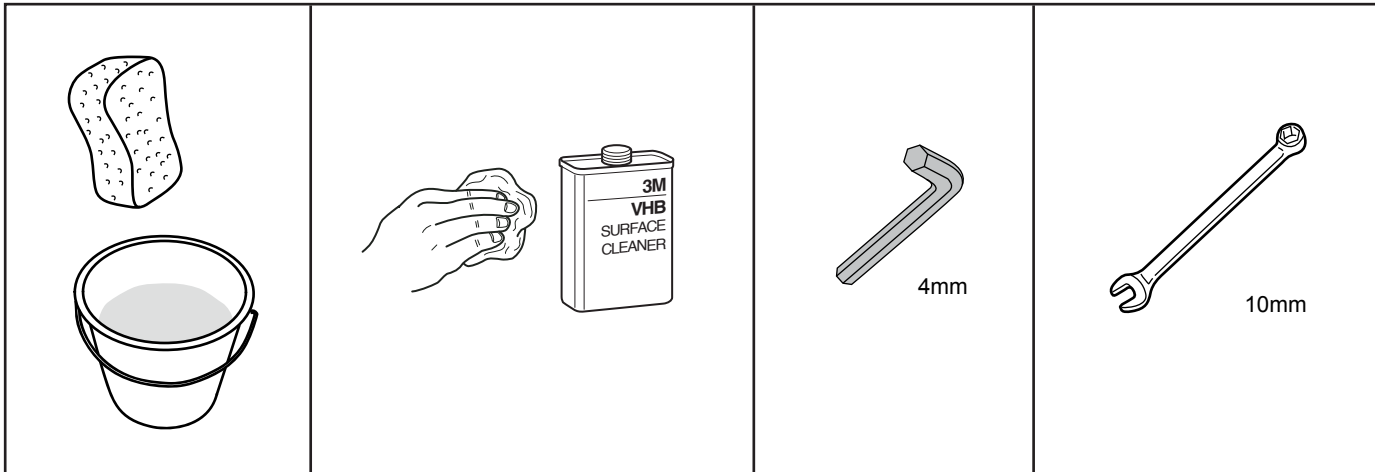
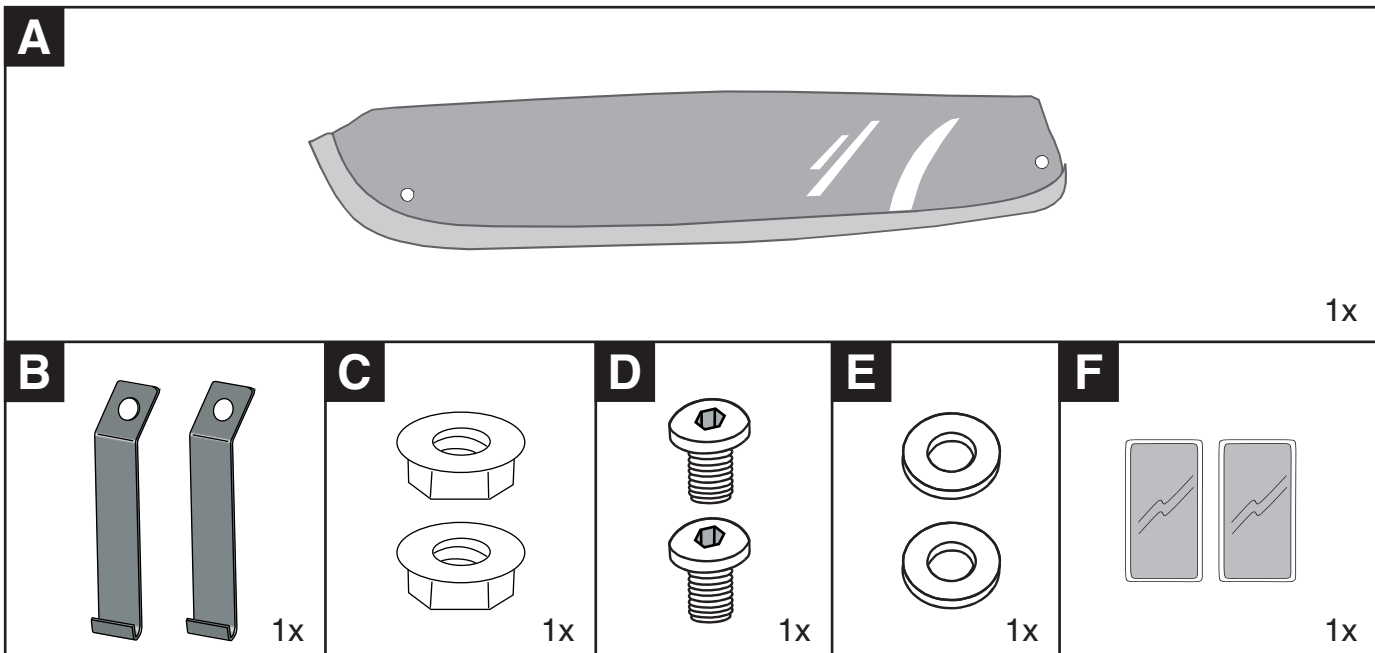


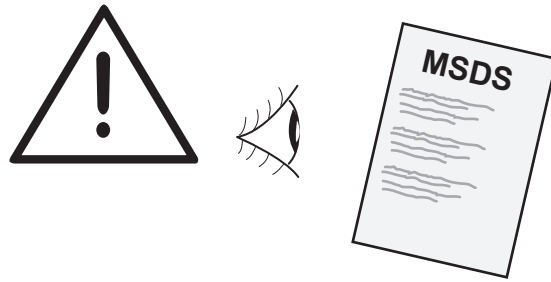
Sunroof wind deflector INSTALLATION INSTRUCTIONS GX

| | |
|--------------|------------------|
| Model year | 2009/11, 2013/08 |
| Vehicle code | URJ150L-GKTZKW |
| Part number | PZ451-J8533-ZA |

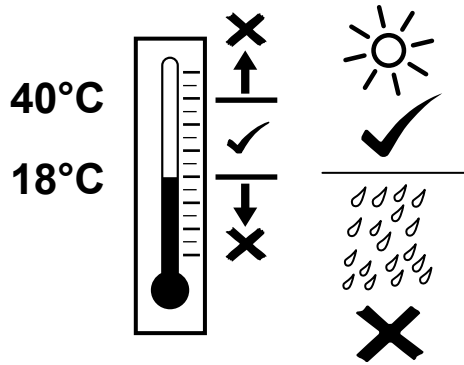
Revision Record

| Rev. No. | Date | Page | Picture | Update | New | Deleted |
|----------|------------|------|-------------|--------|-----|---------|
| 1 | 08/07/2013 | 4 | 1 | | x | |
| | | 4 | 2 | x | | |
| | | 6 | 13 | | x | |
| | | 7 | Check Sheet | | x | |
| | | | | | | |
| | | | | | | |
| | | | | | | |
| | | | | | | |
| | | | | | | |
| | | | | | | |

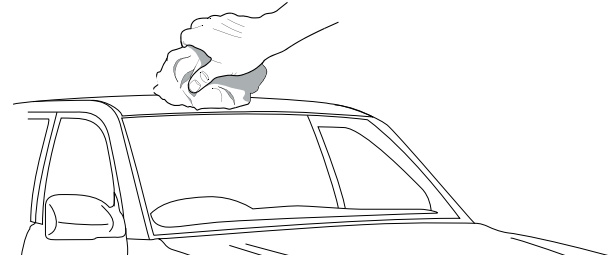




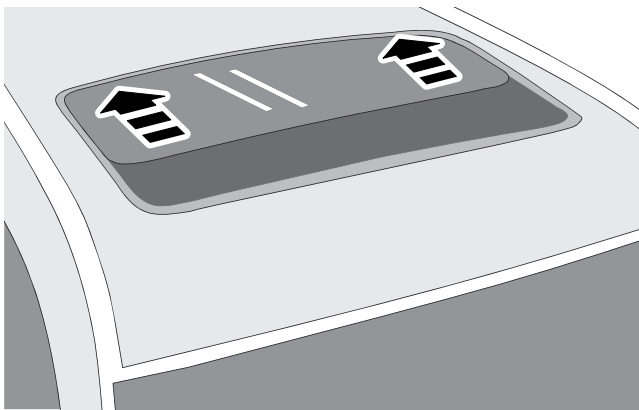
1



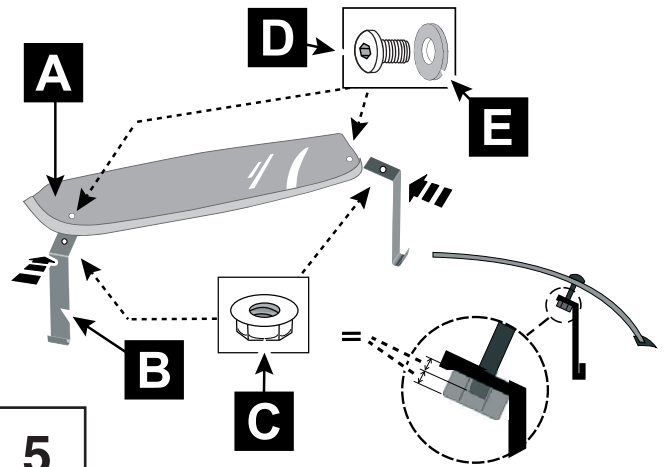
2



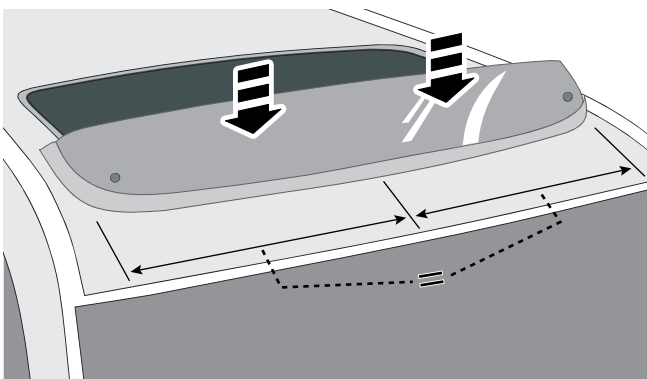
3



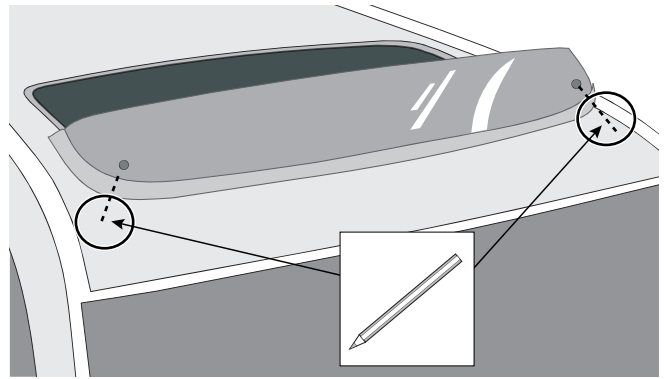
4



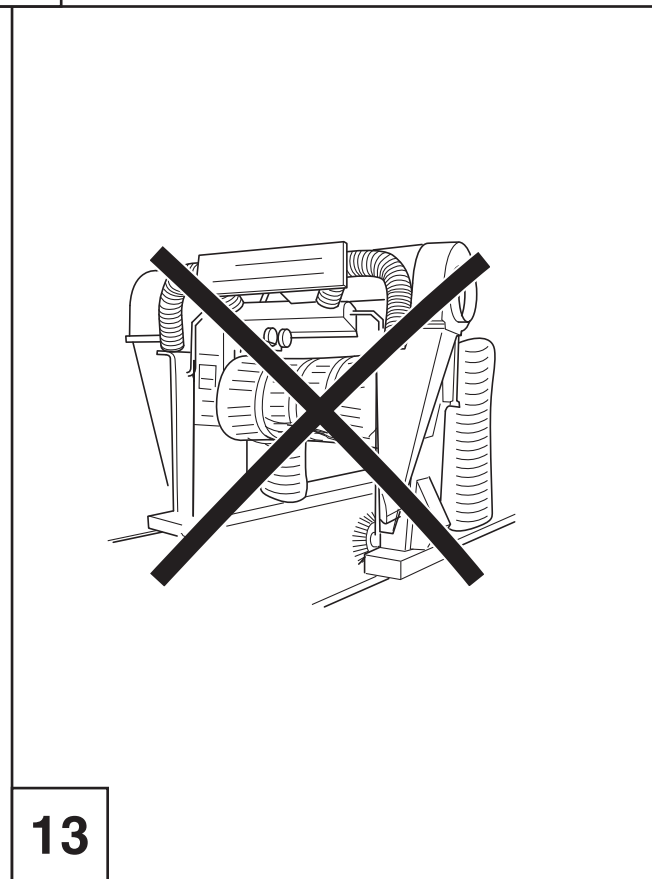
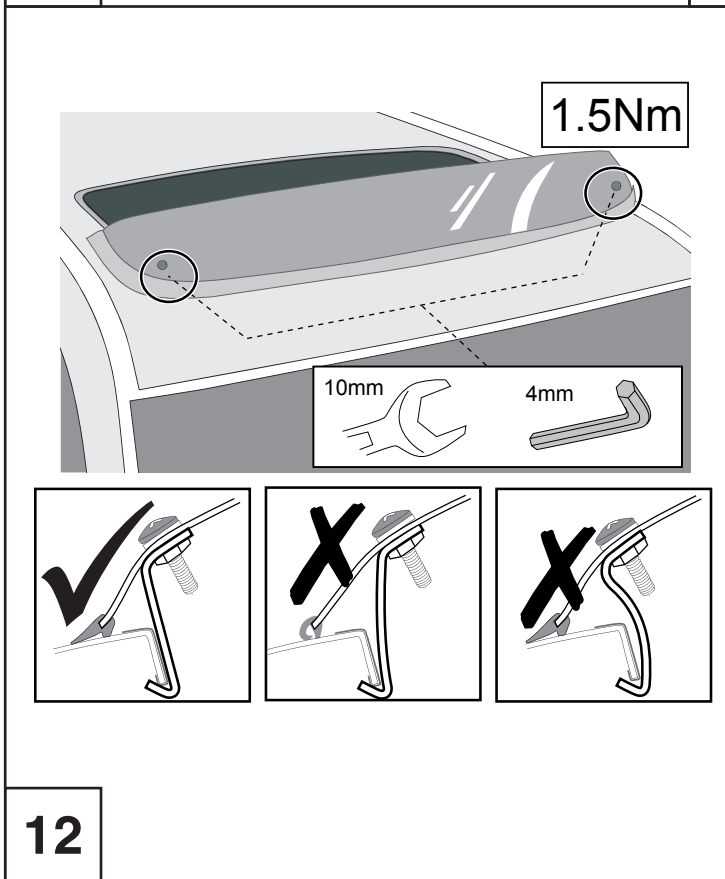
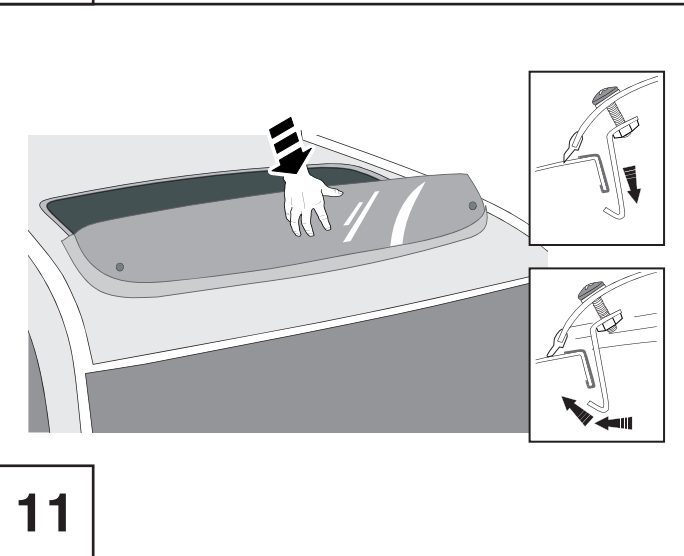
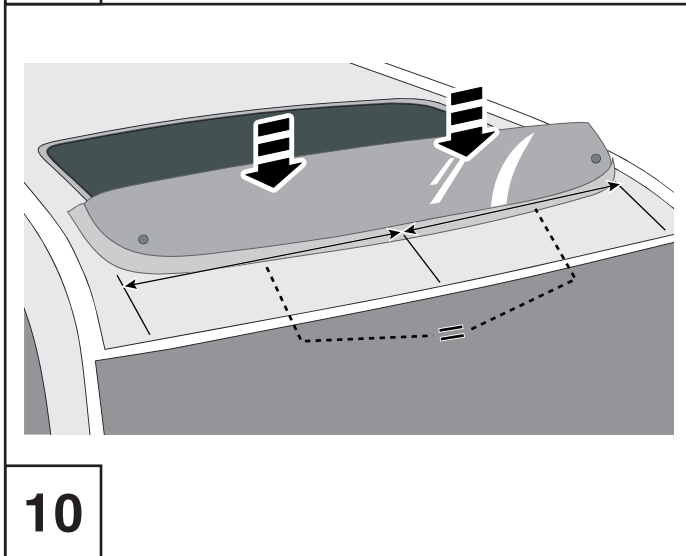
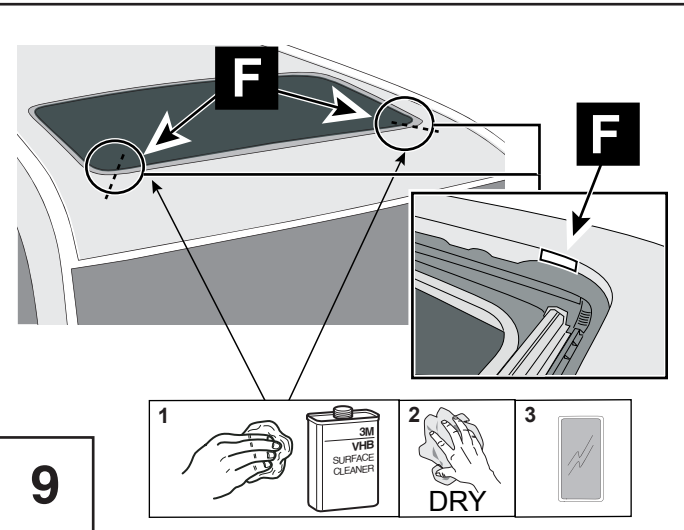
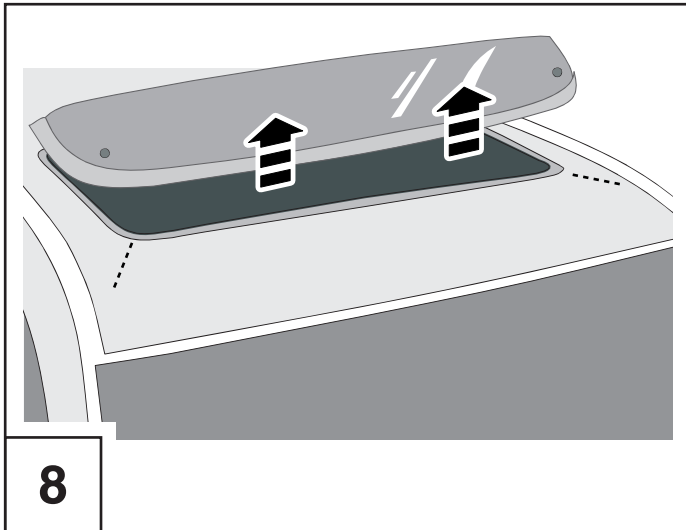
5



6



7




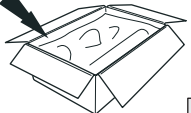
CHECK SHEET




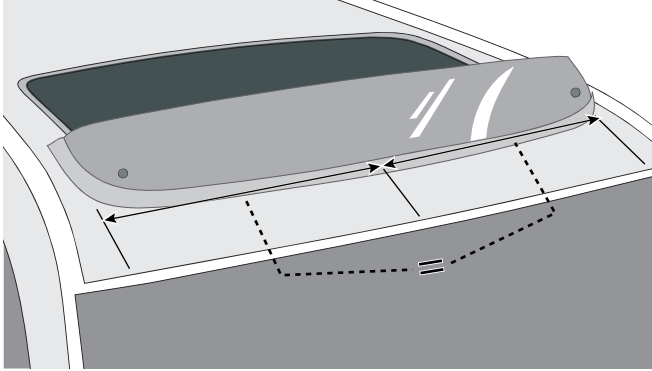
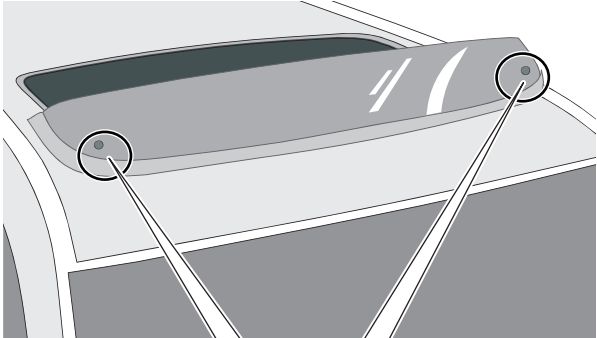
Model / Year GX 2009/11, 2013/08 Sunroof wind deflector


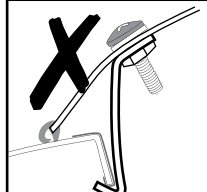
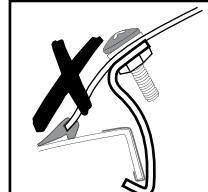
VIN n°

 **P/N = OK**




40°C
18°C

| | | |
|--|---|---|
|  |  |  |
|--|---|---|

2 x 1.5 Nm



Serial Number

Installation Date:

.. / .. / ..

Technician Name & Signature:

Stamp: