

# Door edge protection INSTALLATION INSTRUCTIONS RX

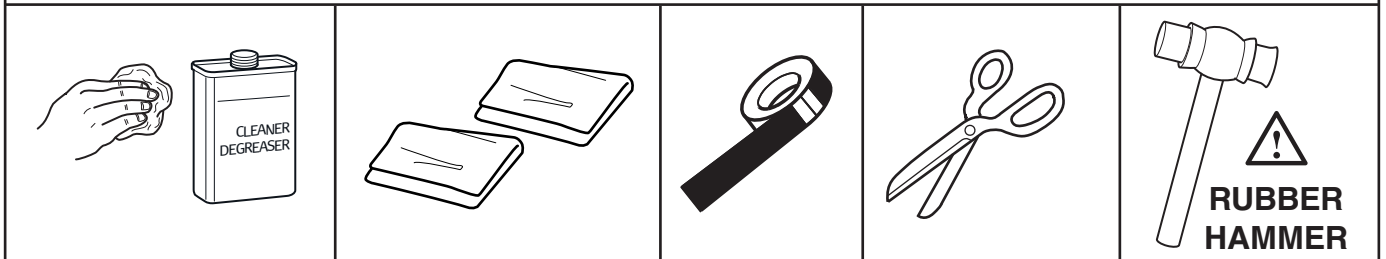
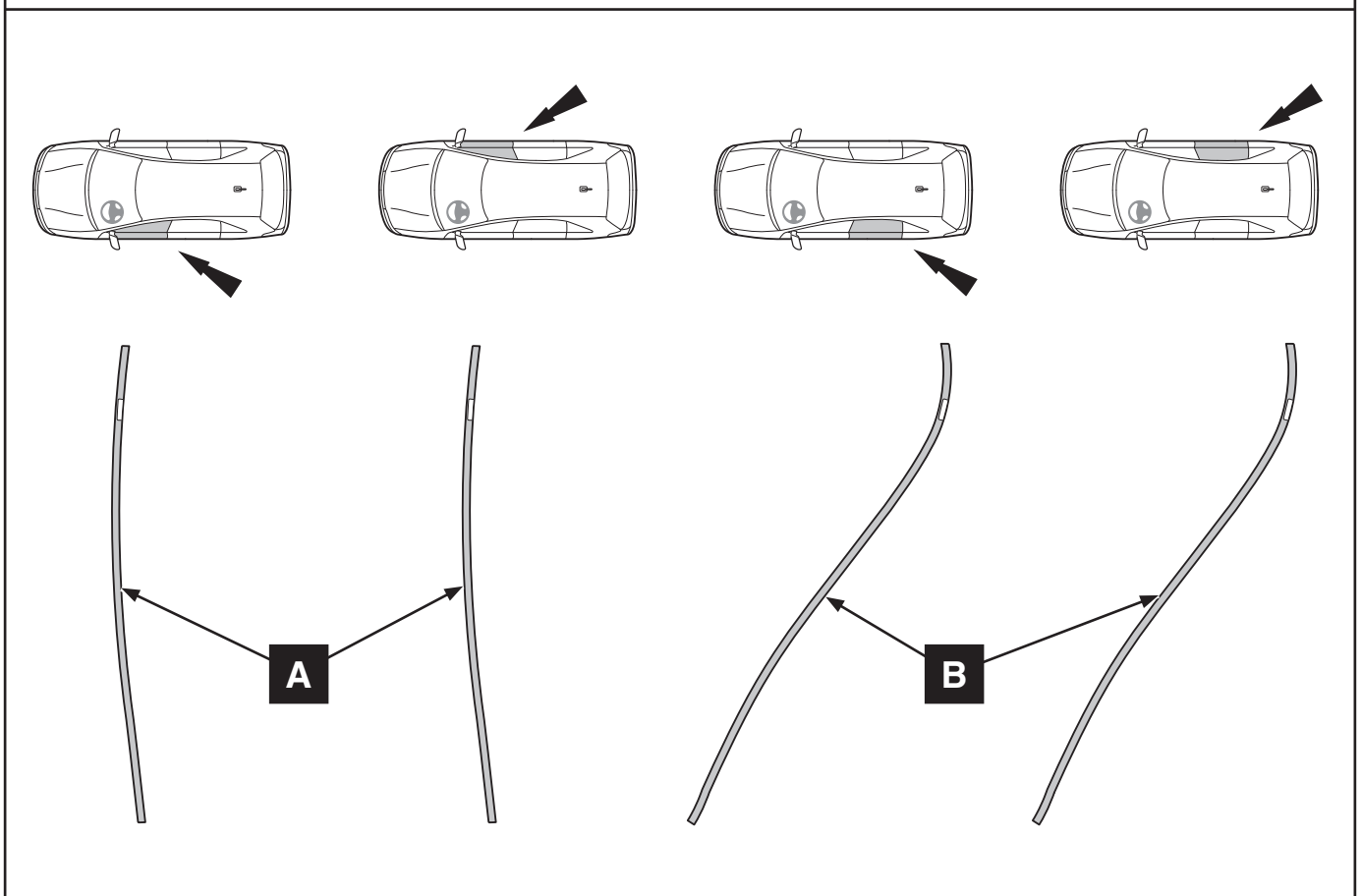
Model year 2015/09

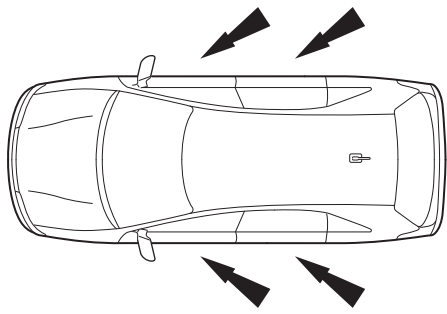
Vehicle code \*\*L2\*\*-AW\*\*\*W

Part number PT936-48160-\*\*

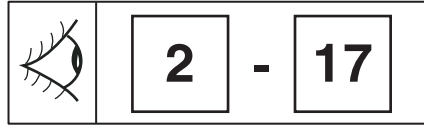
# Revision Record

| Rev. No. | Date | Page | Picture | Update | New | Deleted |
|----------|------|------|---------|--------|-----|---------|
|          |      |      |         |        |     |         |
|          |      |      |         |        |     |         |
|          |      |      |         |        |     |         |
|          |      |      |         |        |     |         |
|          |      |      |         |        |     |         |



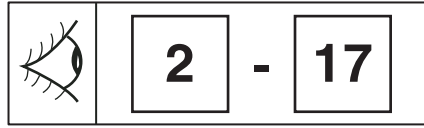


LHS

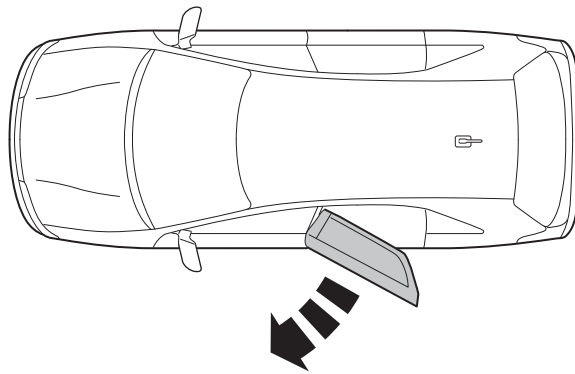


=

RHS

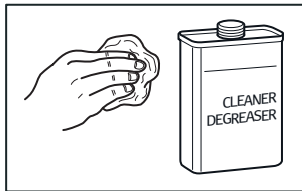


1

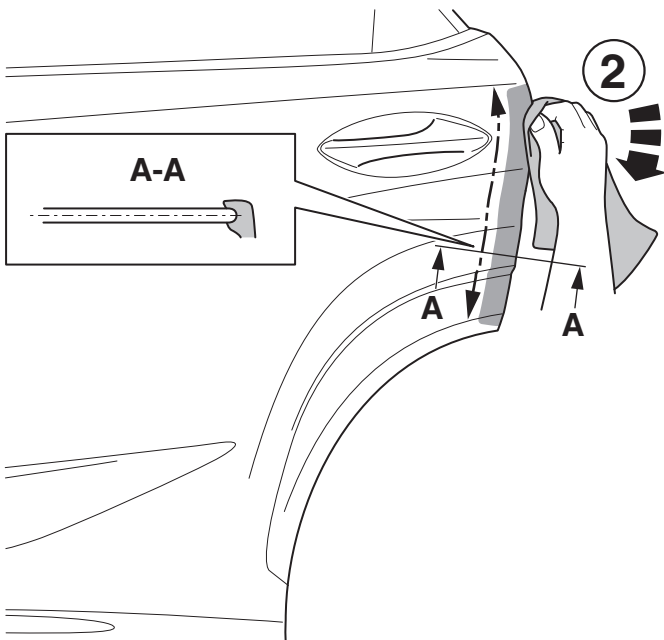


2

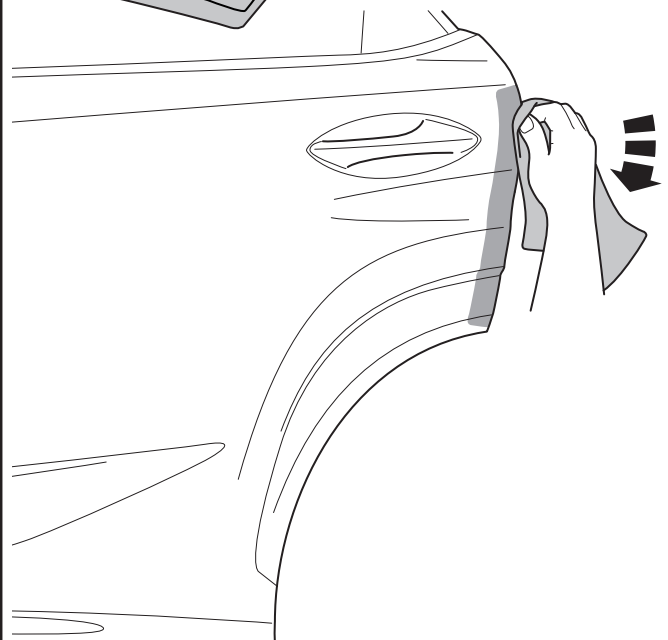
1



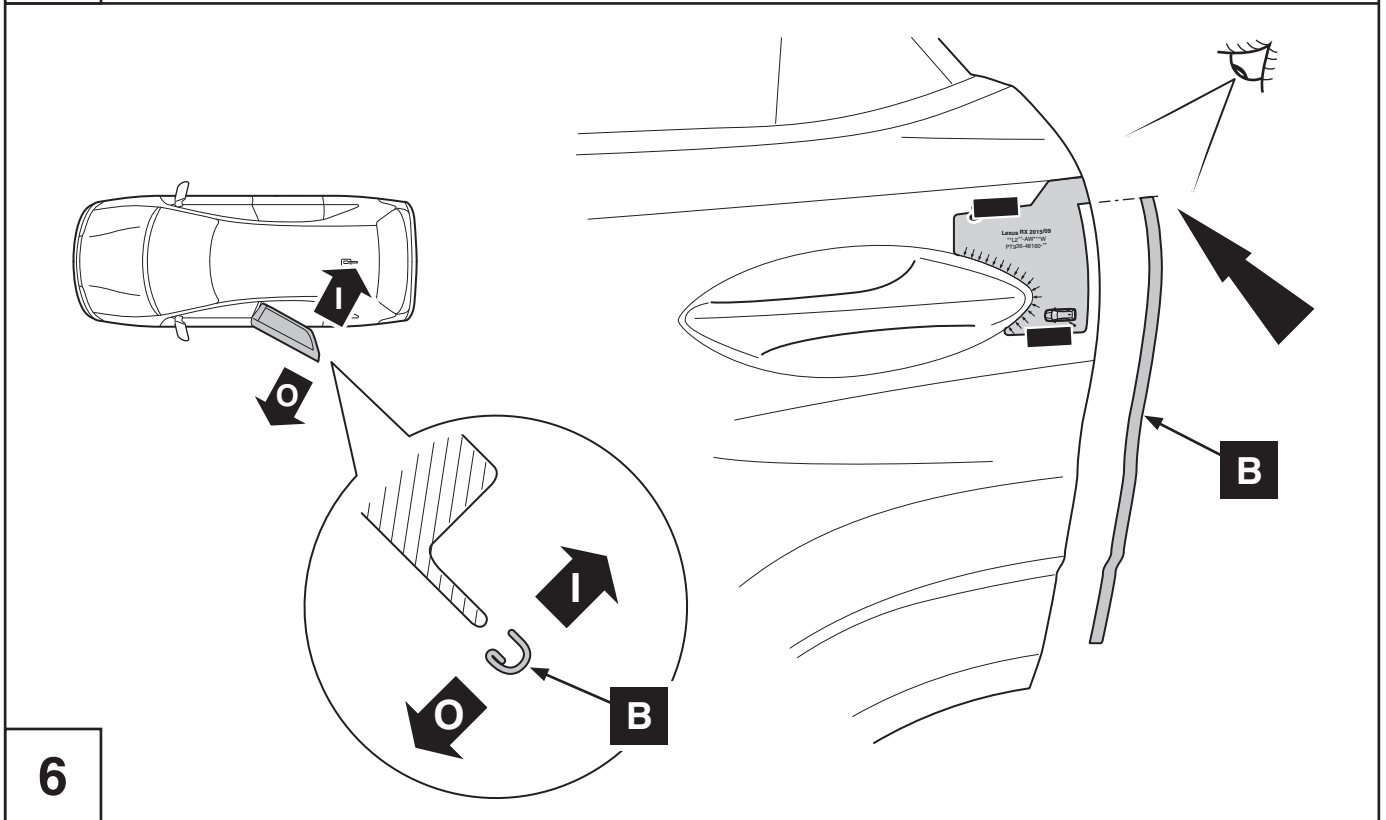
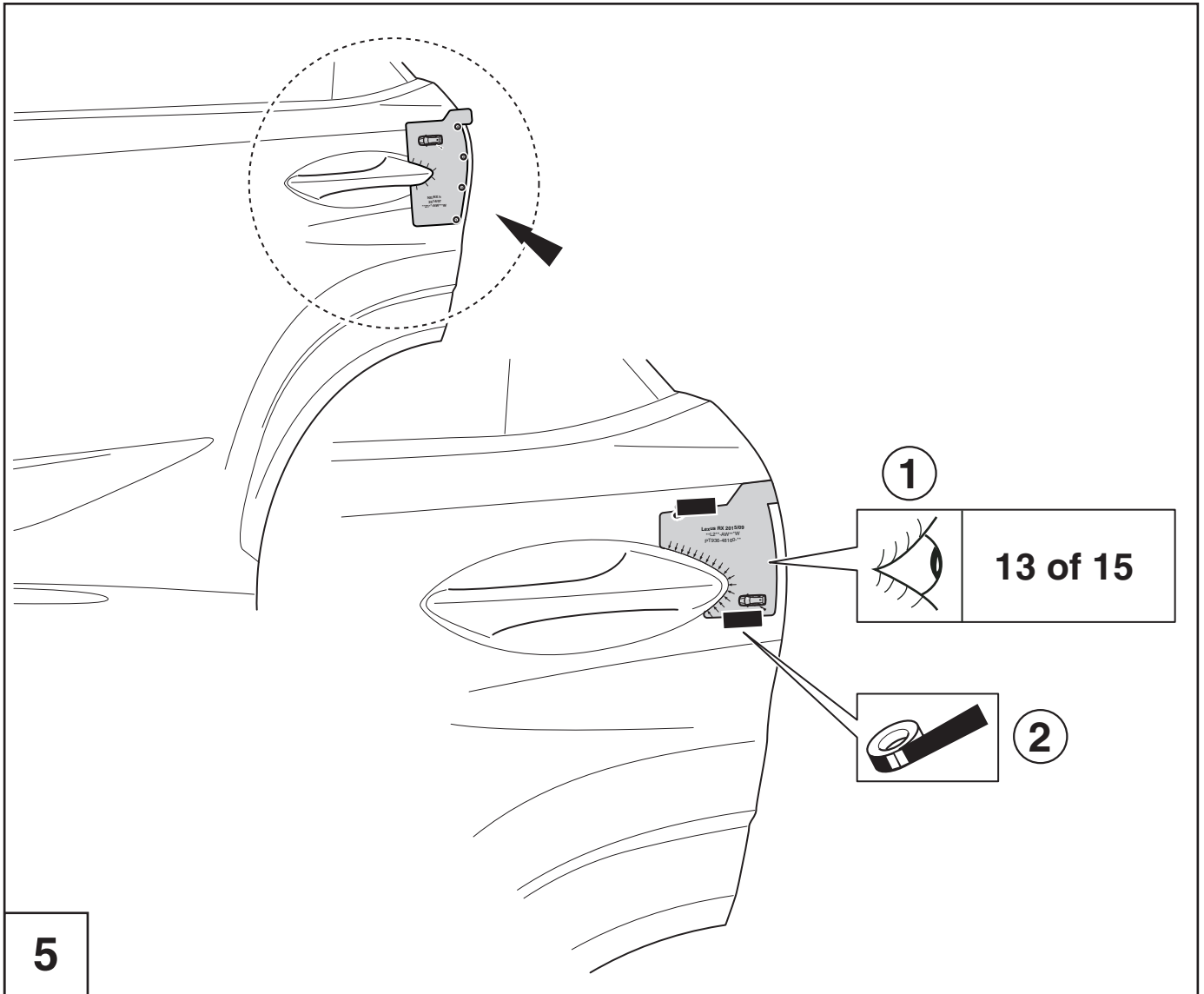
2

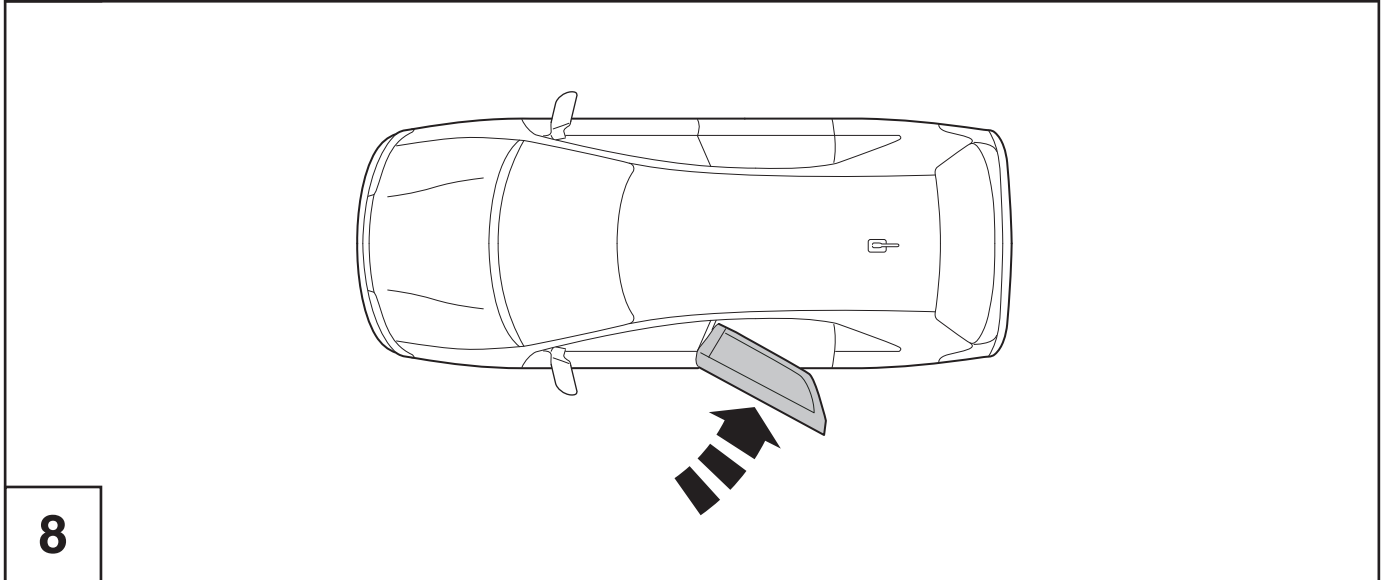
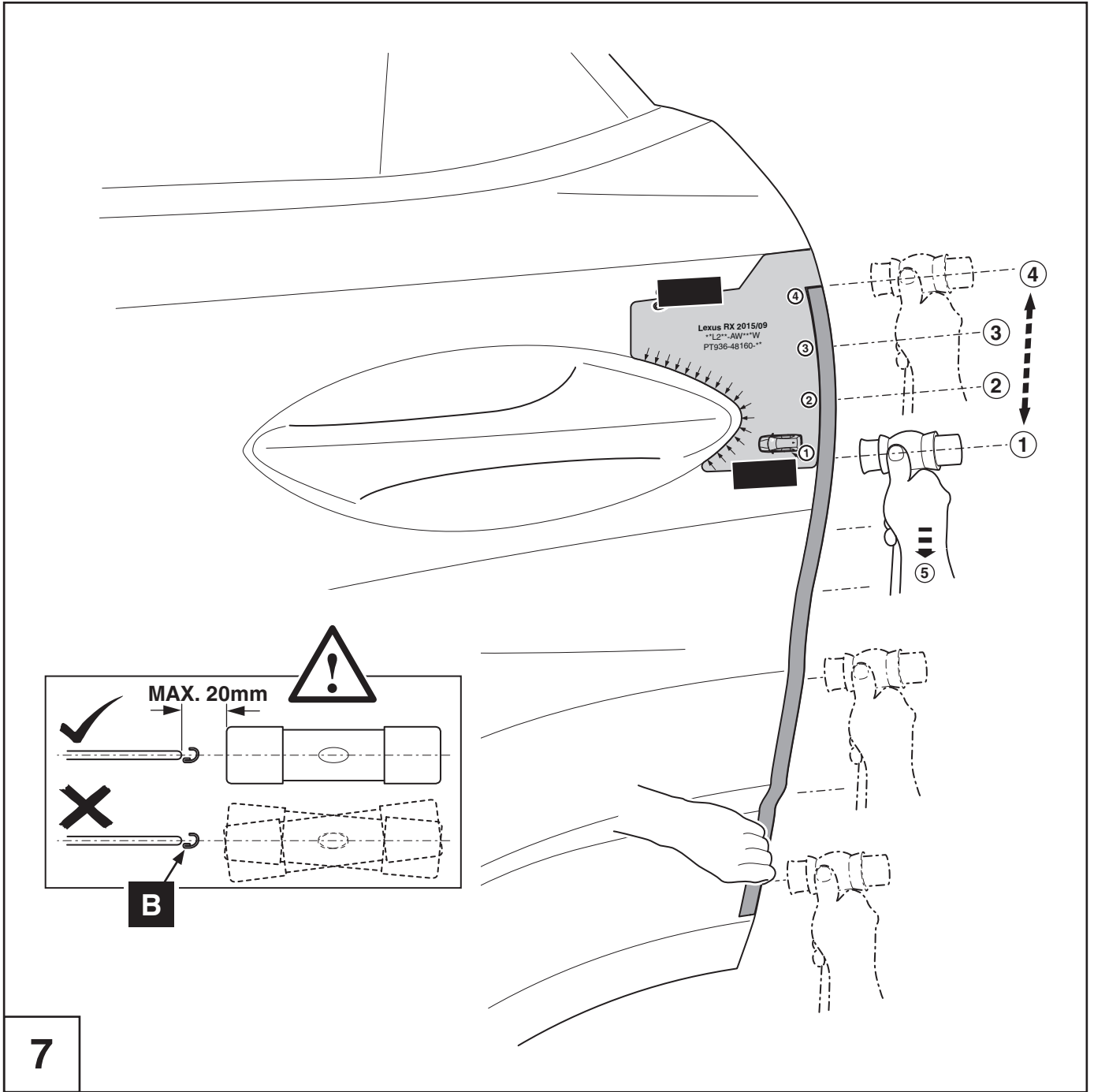


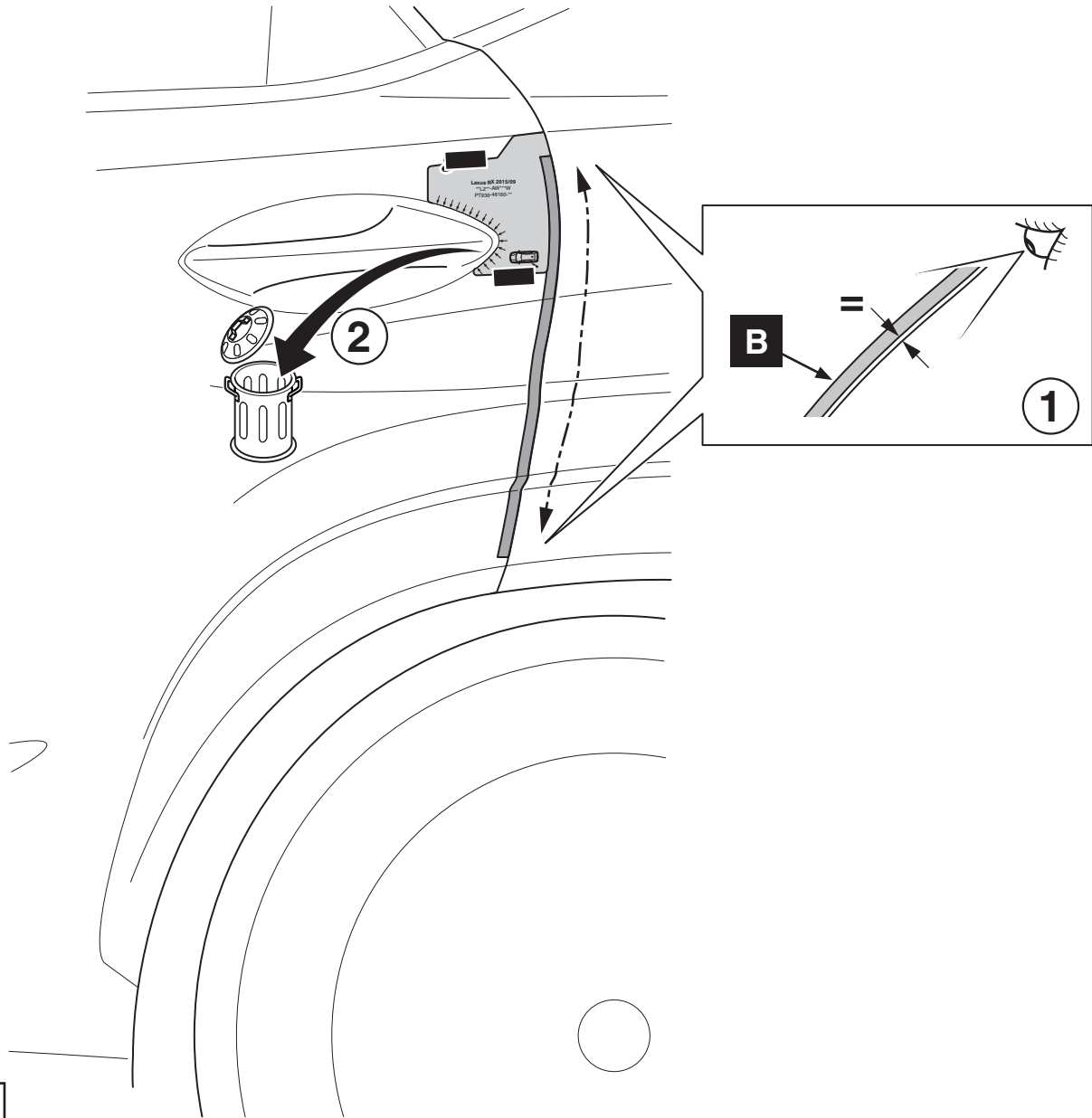
3



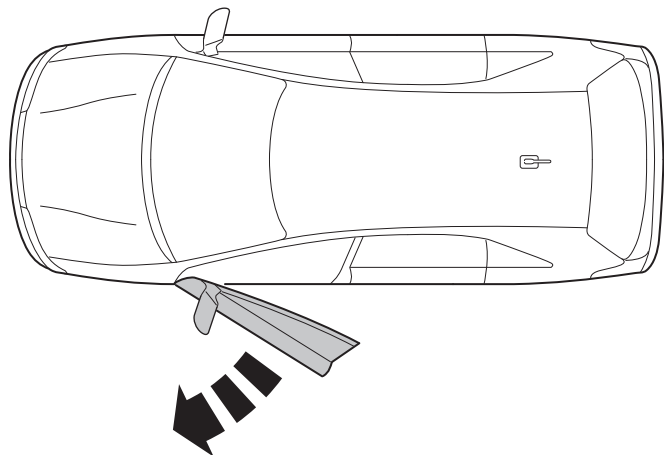
4



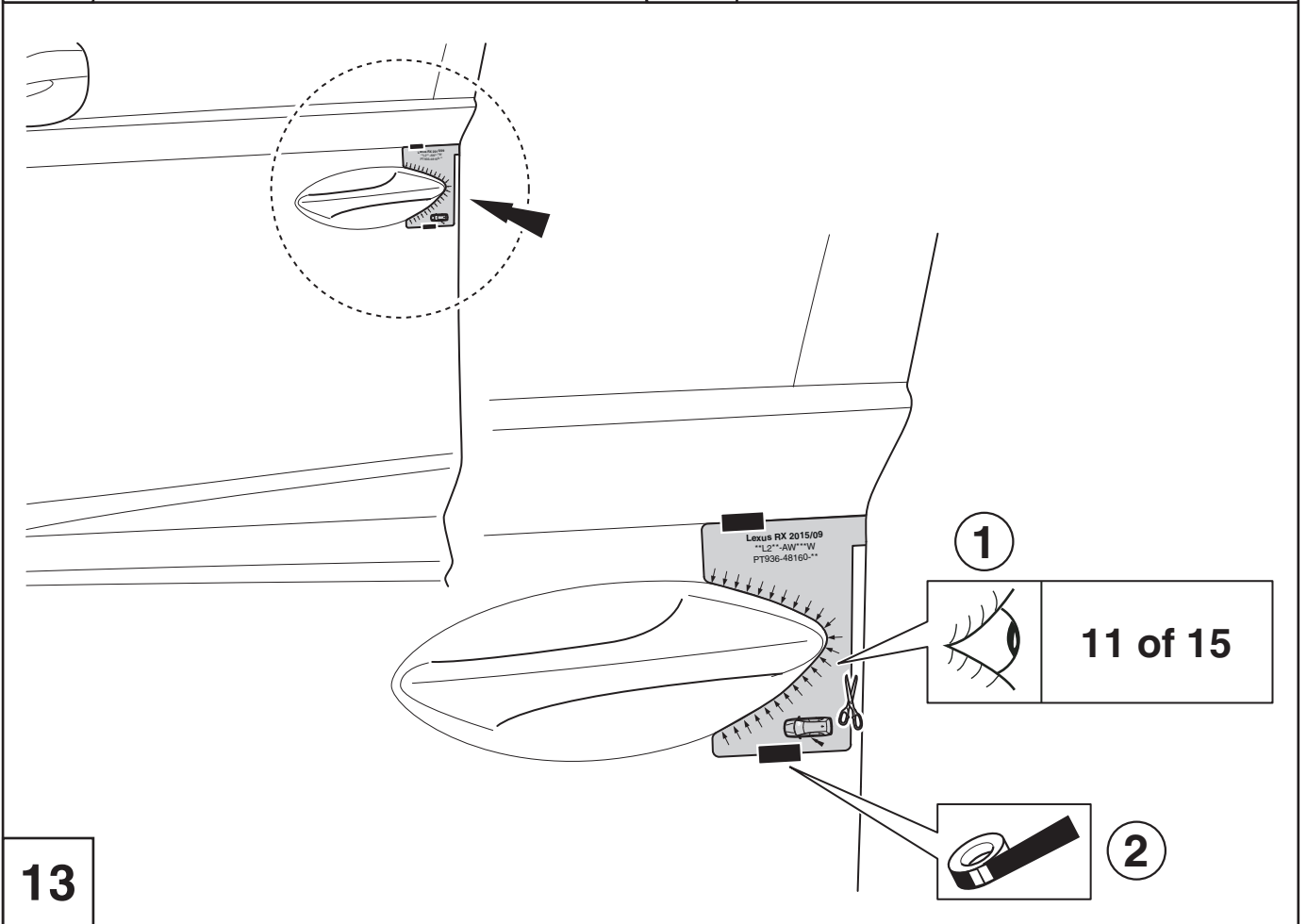
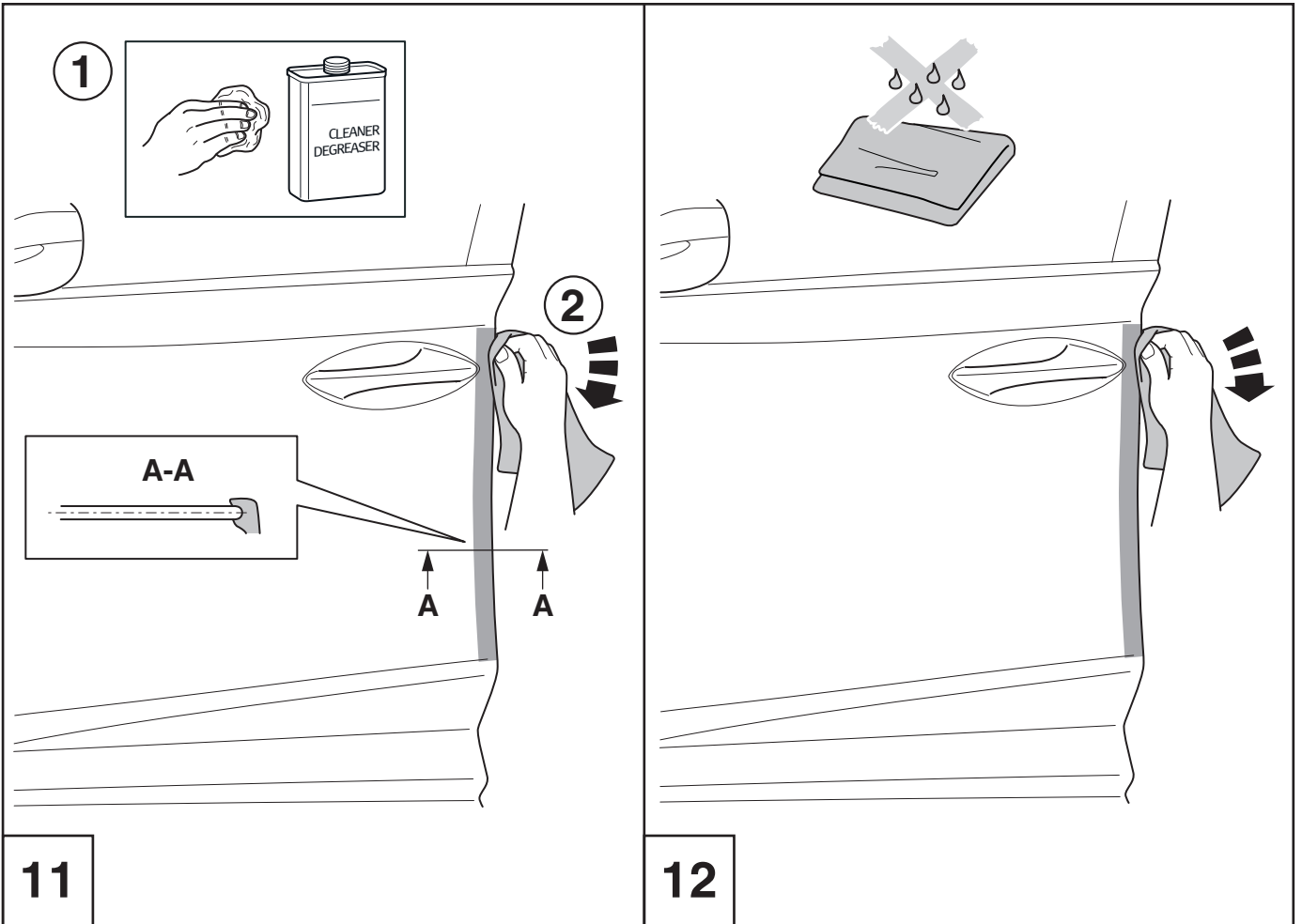


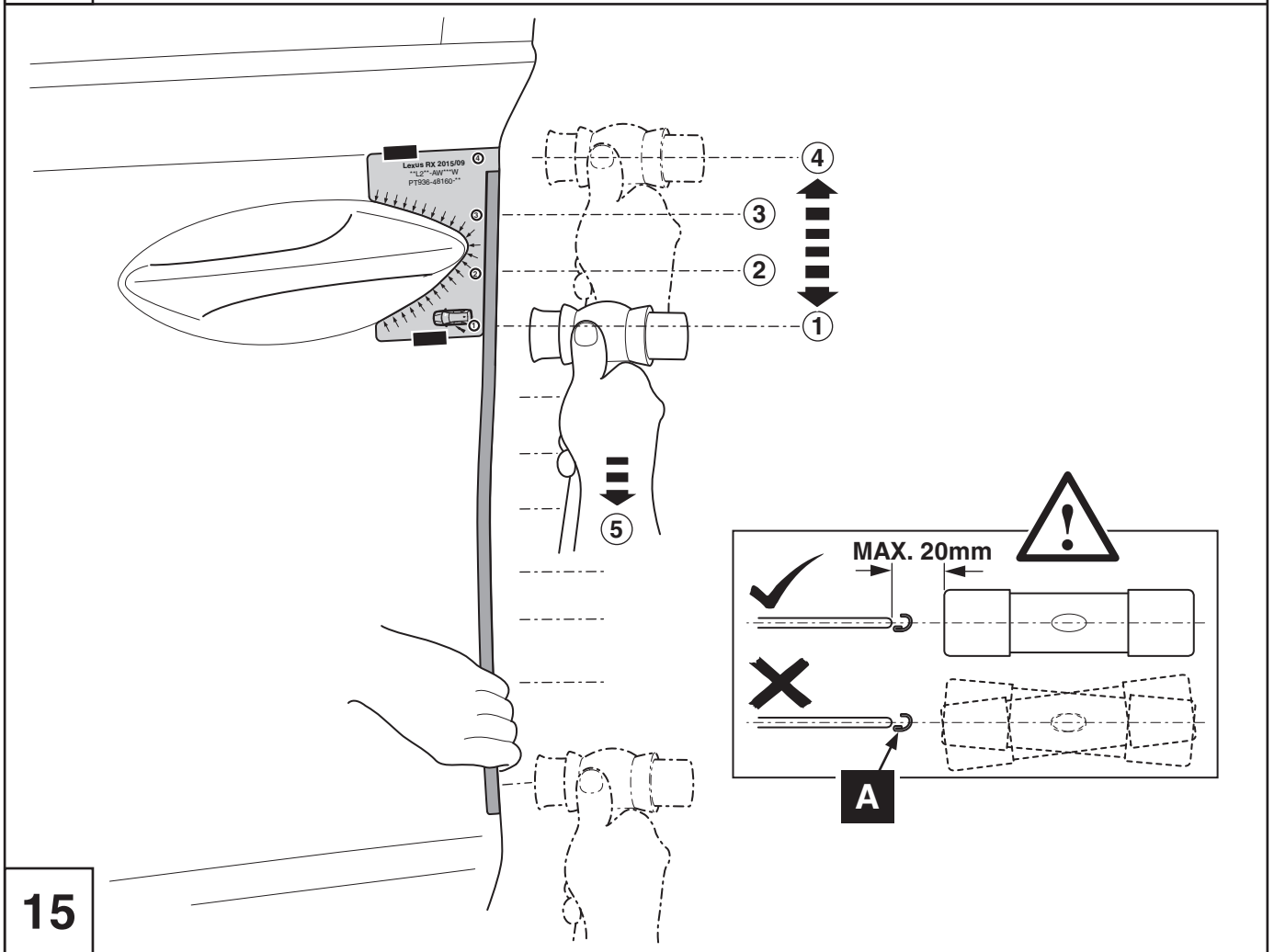
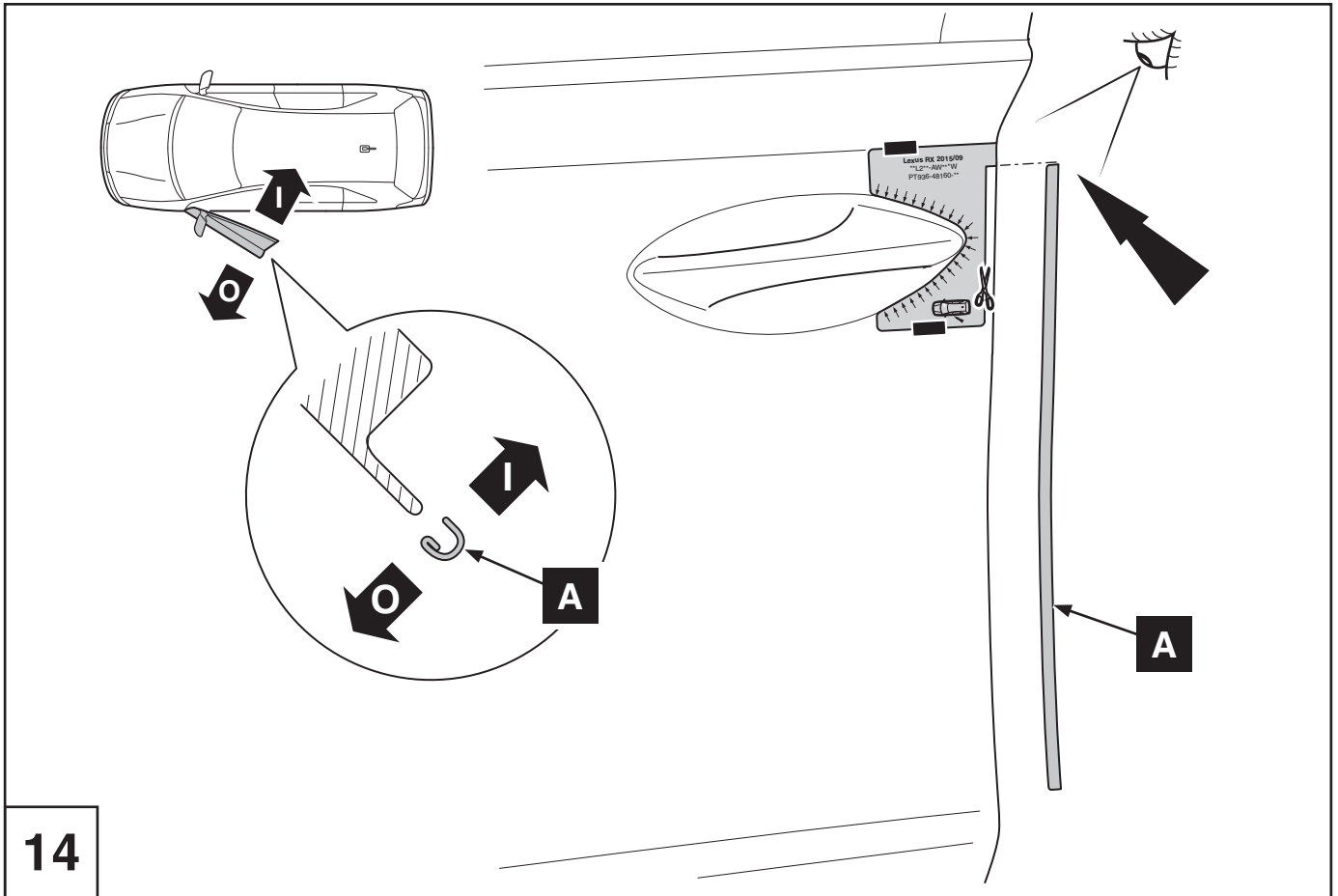


9

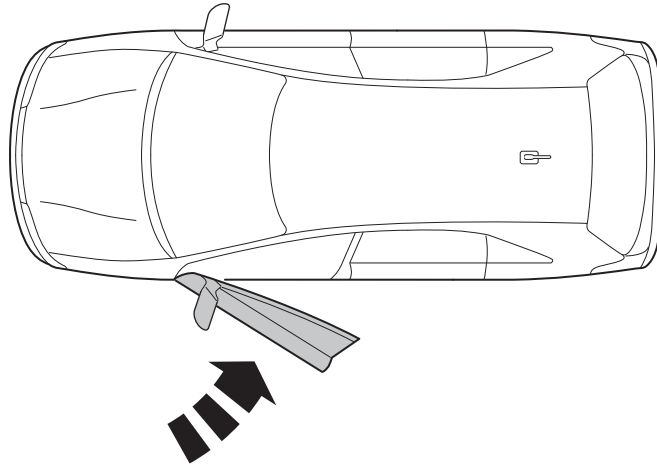


10

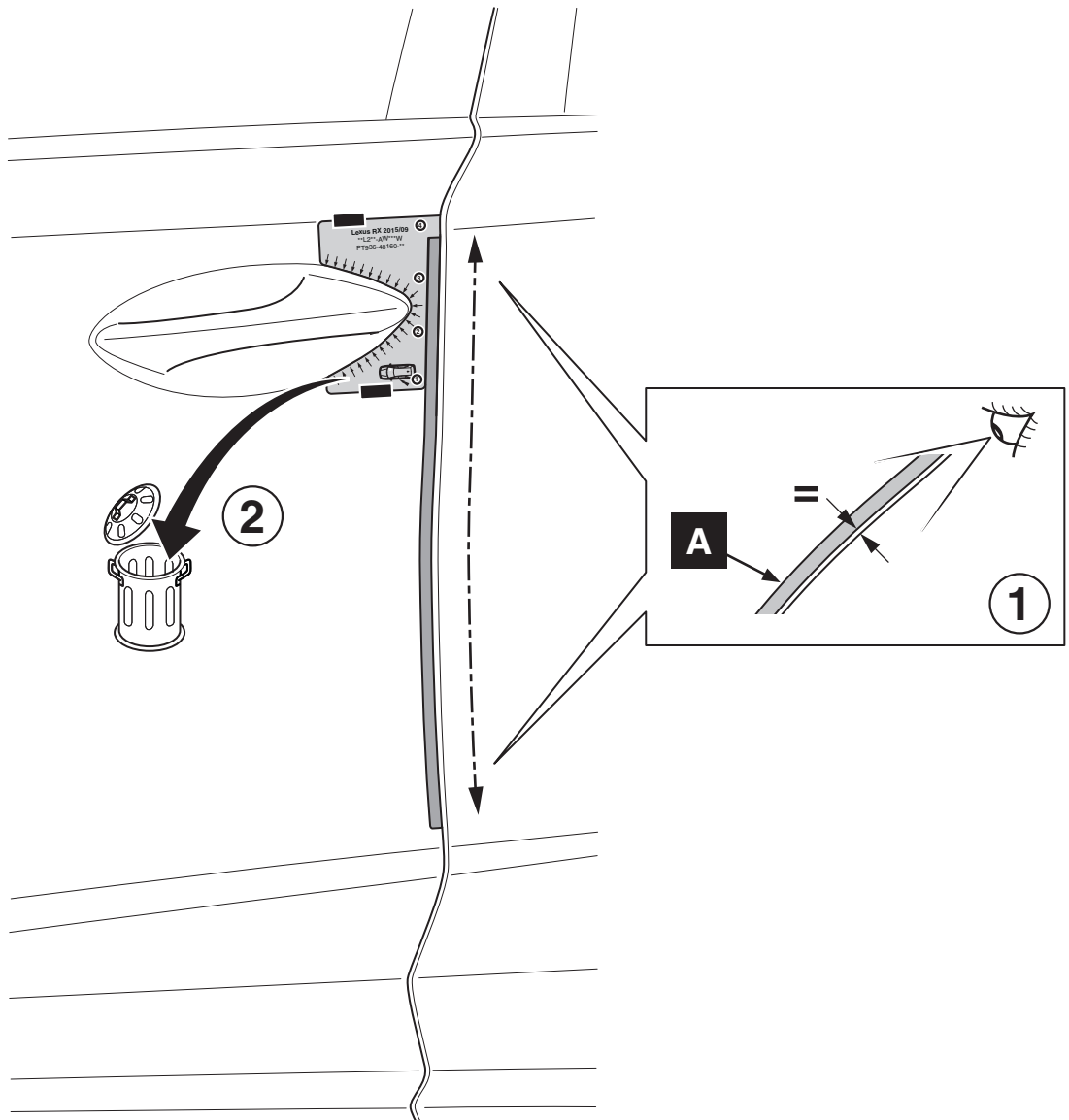






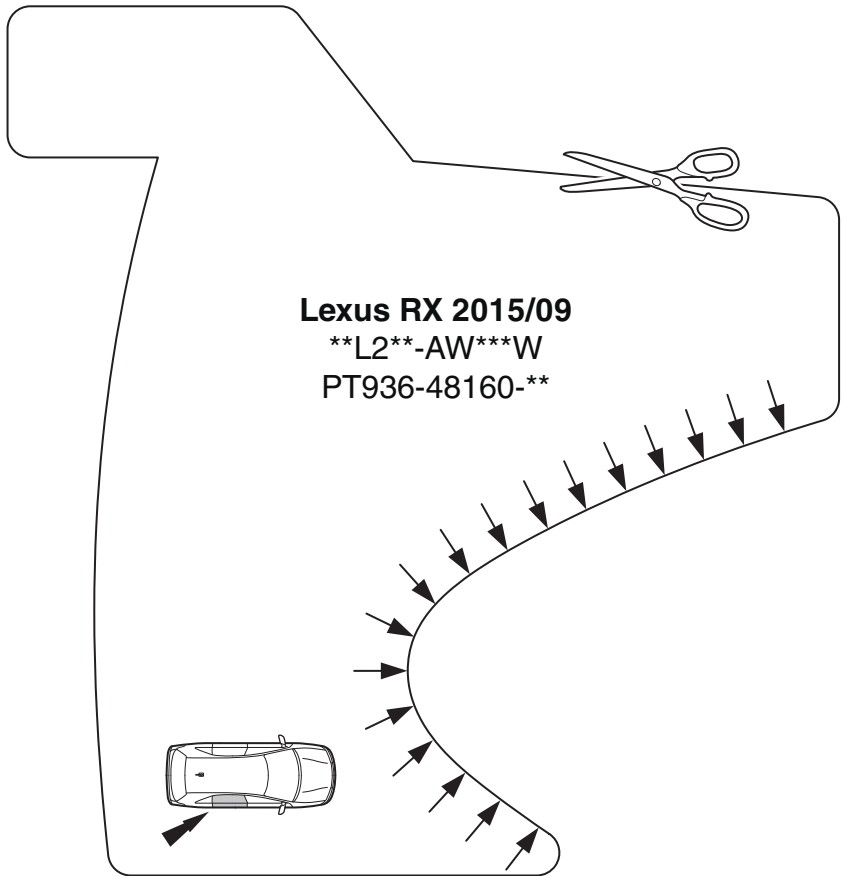
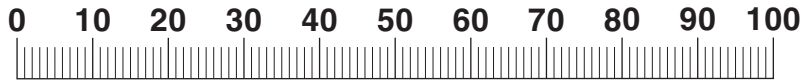


16

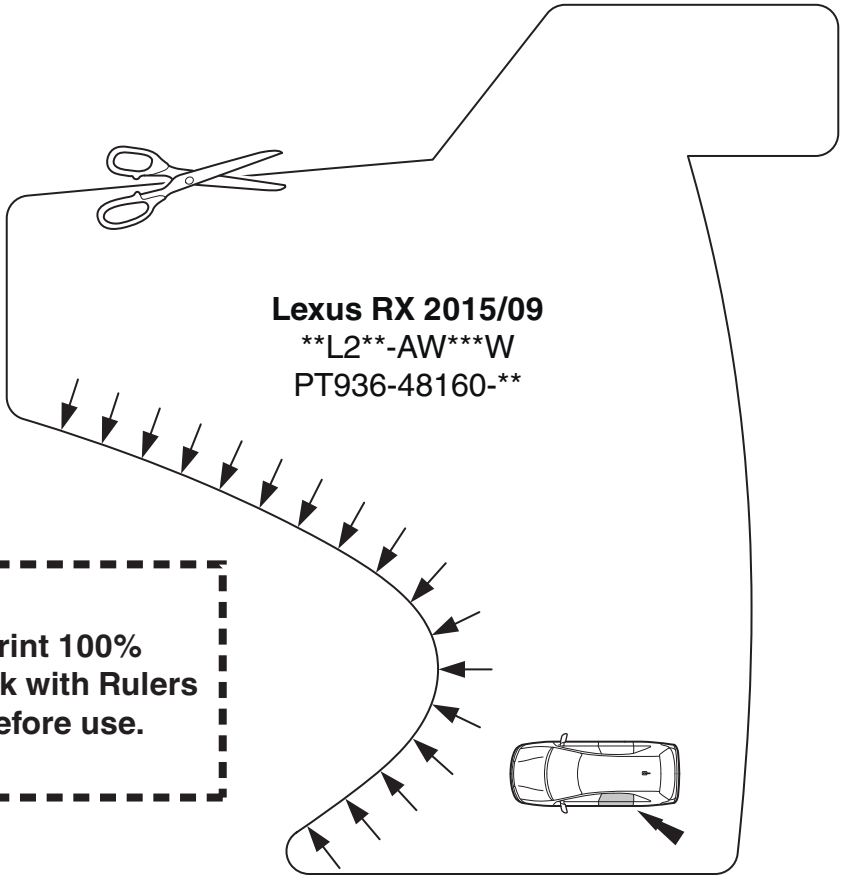
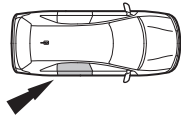


17

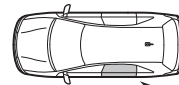
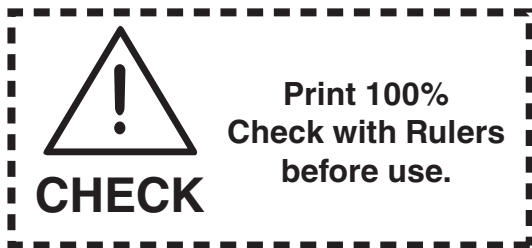




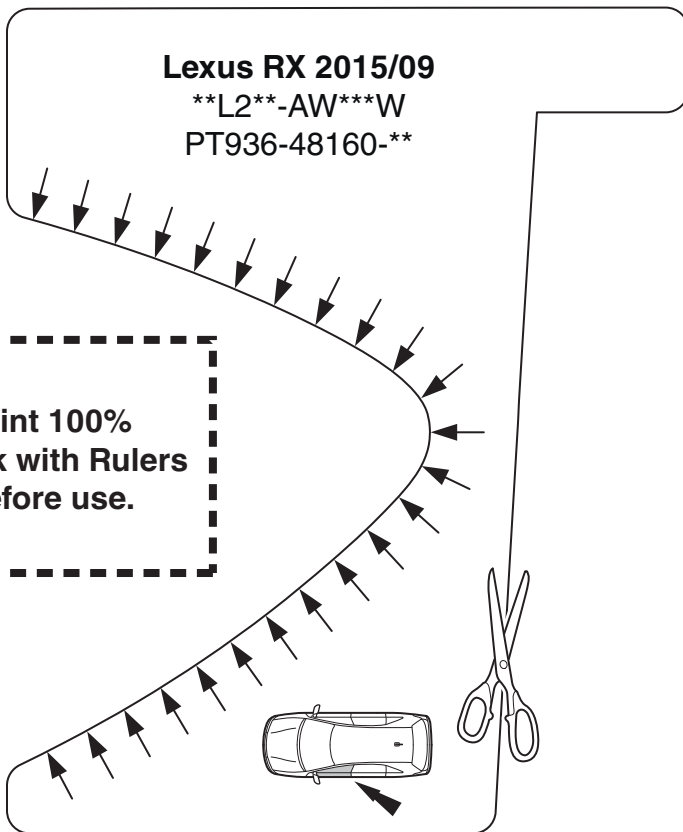
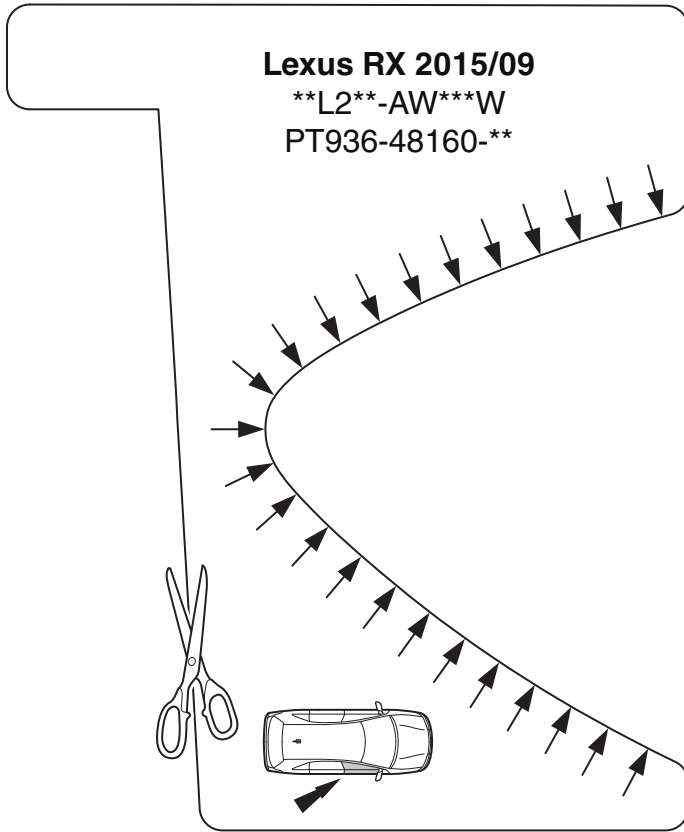
**Lexus RX 2015/09**  
\*\*L2\*\*-AW\*\*\*W  
PT936-48160-\*\*




**Lexus RX 2015/09**  
\*\*L2\*\*-AW\*\*\*W  
PT936-48160-\*\*







  
**CHECK**

Print 100%  
Check with Rulers  
before use.



# CHECK SHEET

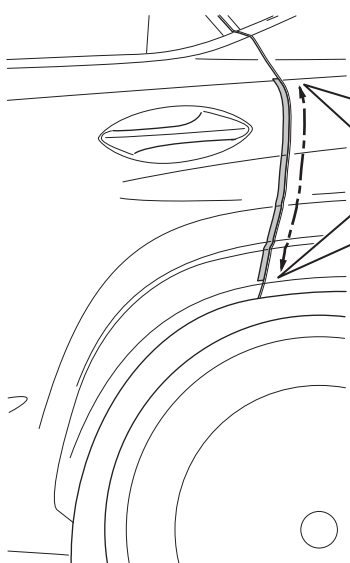
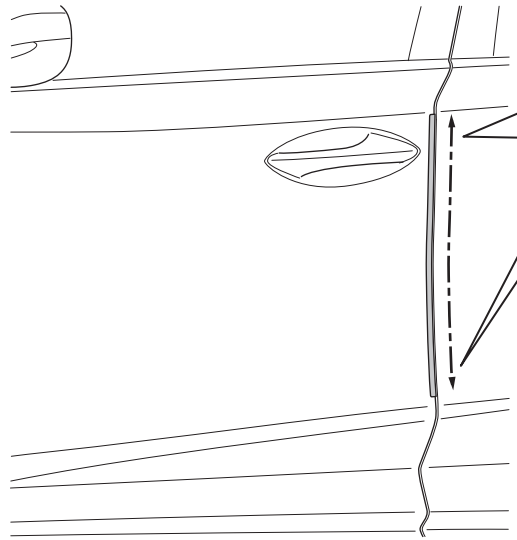

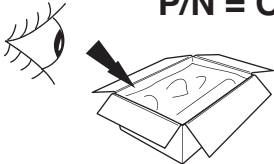


Model / Year **RX 2015/09**

**Door edge protector**

VIN n°

**P/N = OK**

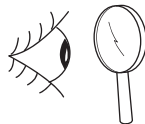


**= OK**

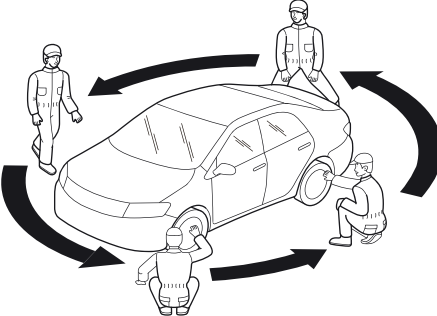
**LHS = RHS**

  
  
**= OK**

**LHS = RHS**

**= OK**



**Installation Date:**

... / ... / ...

**Technician Name & Signature:**

**Stamp:**

