

# Towing Hitch Detachable

## INSTALLATION INSTRUCTIONS

# RX

Model year	2015/10
Vehicle code	**L2**-AW**
Part number	PW960-0E001
Weight	31 kg

# Revision Record

Rev. No.	Date	Page	Picture	Update	New	Deleted

**GB**

## **FITTING INSTRUCTIONS- TOWBAR**

Type: 044426  
D-value: 9,93 kN

Manufacturer: BOSAL HUNGARY KFT.  
H-6000 Kecskemét  
Kadafalva – Heliport  
Hrsz: 11751/43  
Hungary

Model Application: Lexus RX  
Designed and tested in accordance with AS 4177.1 and  
SAE J684.

### **Australia**

Towing capacity: 1500 kg  
Vertical coupling load towbar: 150 kg

#### **Expert Fitment Required.**

#### **Ensure that this fitting instruction is passed to the customer.**

In order to use the trailer hitch, simultaneous installation  
of an electrical kit is required. **(Cable set not included!)**

Remove undersealing, anti- corrosion wax and  
noise-deadening material in the area of the contact surfaces.

Apply corrosion protection material as specified in  
the TOYOTA service guidelines, where necessary.

After approximately 1000 km of trailer use, retighten all bolts  
to the correct torque values.

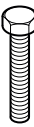
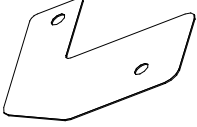
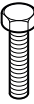

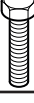



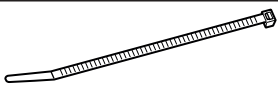
For correct trailer loads please refer to vehicle documents of  
the individual vehicle model.

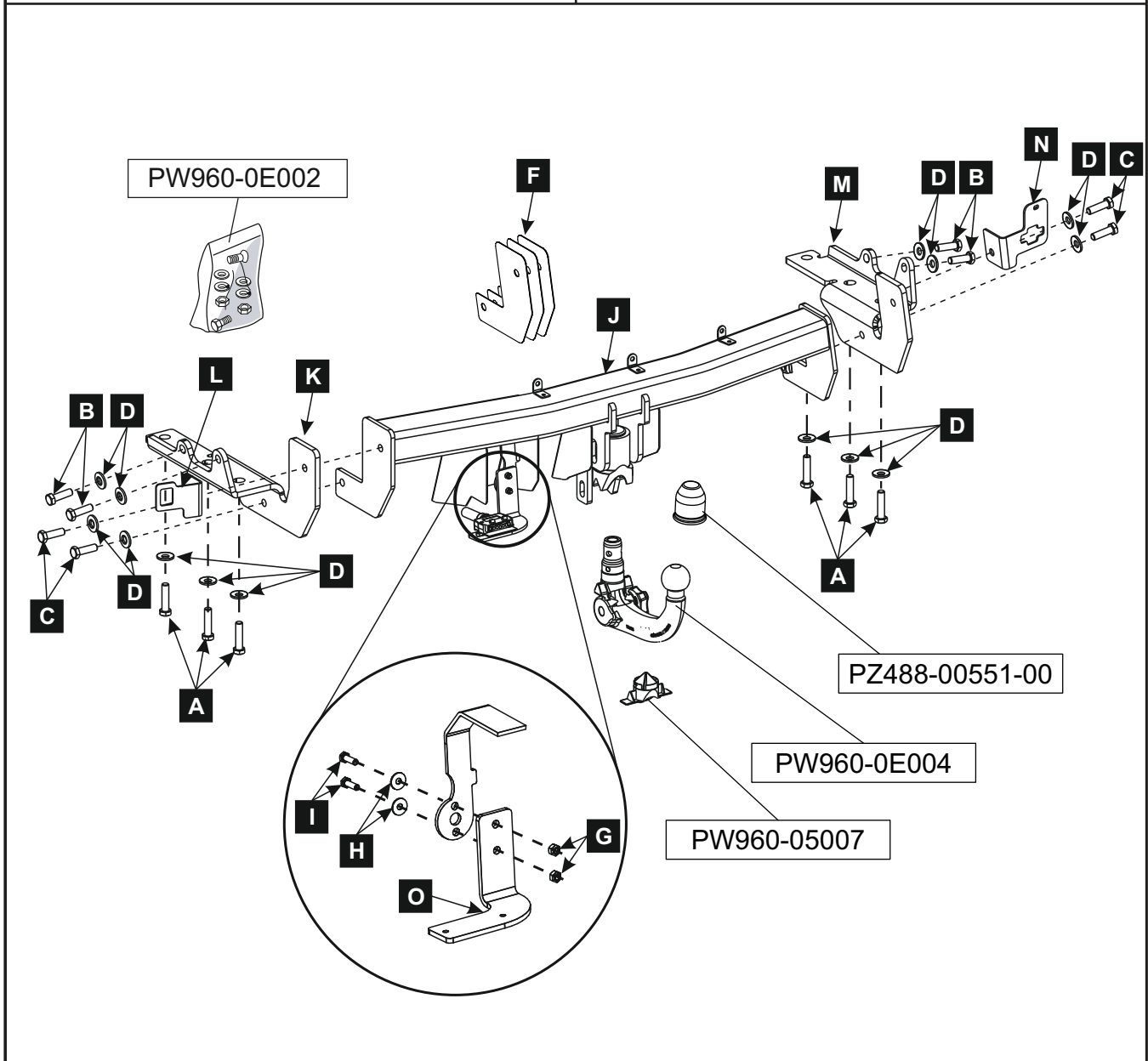
The coupling ball must be kept clean and well greased (\*).

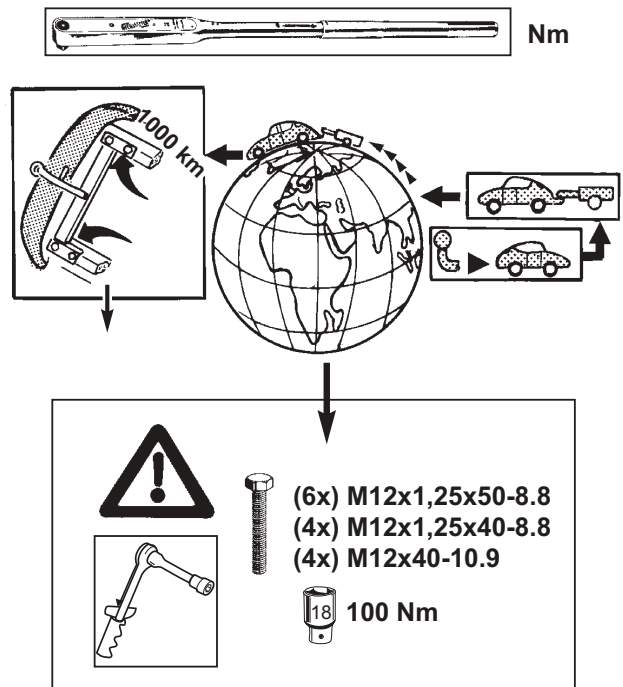
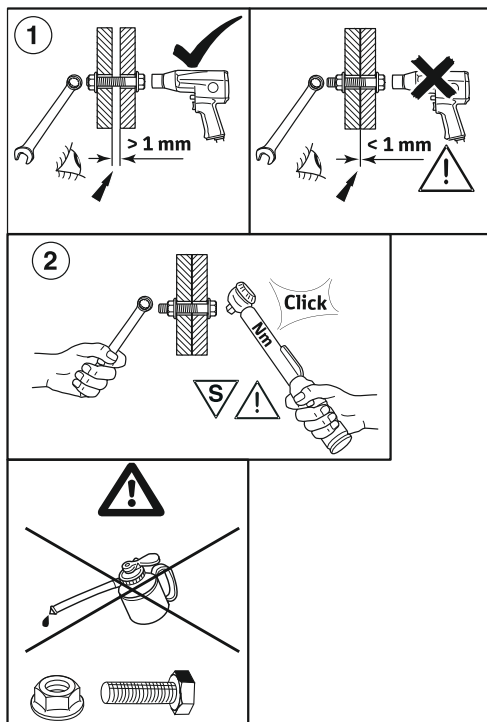
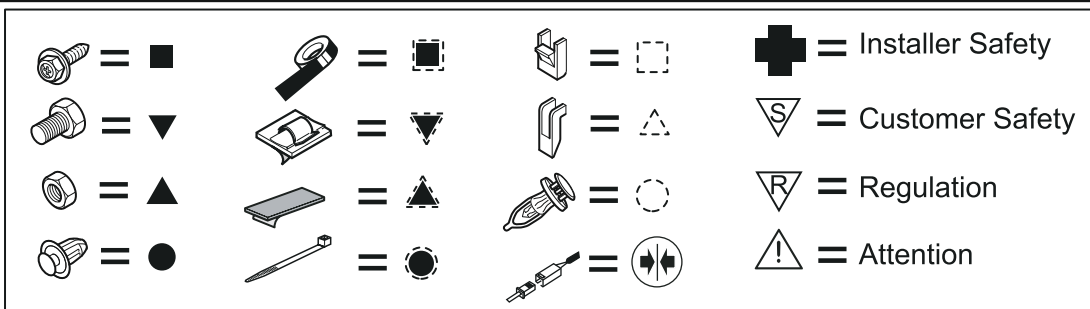
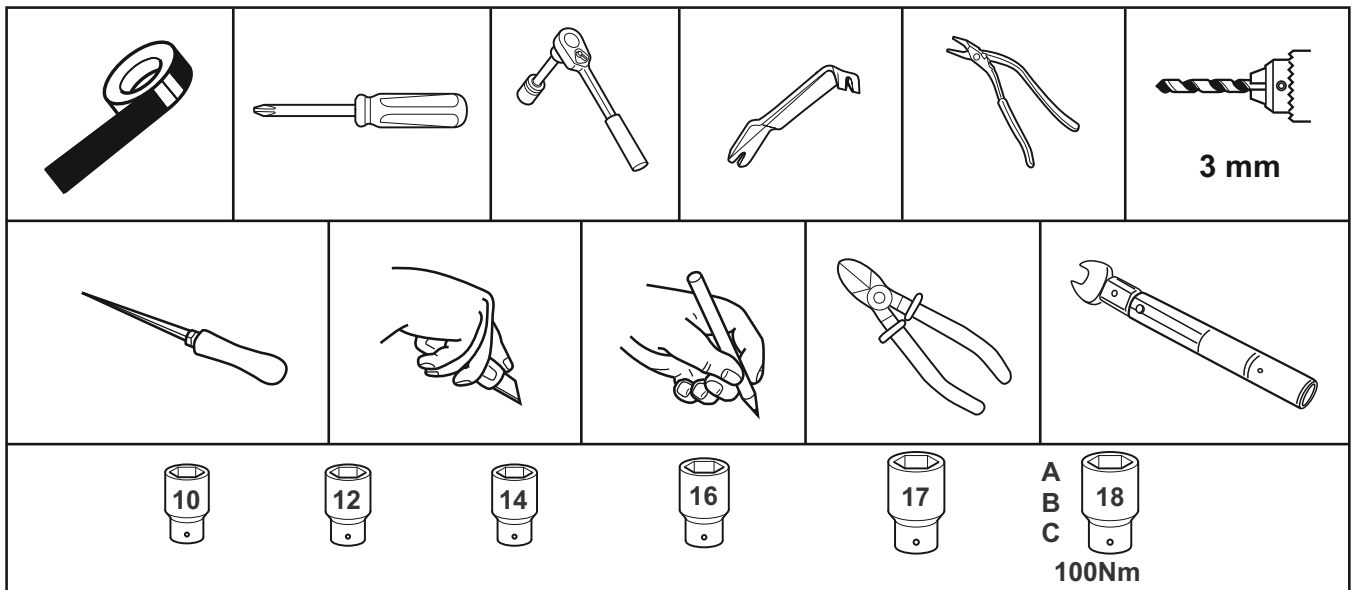
(\*)**EXCEPTION:** When stabilizers are used, proceed  
according to the instructions of the  
manufacturers of the stabilizer. In  
this case coupling ball must be  
inspected for wear at regular intervals.

The trailer coupling must be installed and inspected  
in accordance with the applicable national regulations.

PW960-0E001

<b>A</b>	 <p>(M12)x1,25x50 - 8.8</p> <p>6x</p>	<b>F</b>	 <p>3x</p>
<b>B</b>	 <p>(M12)x1,25x40 - 8.8</p> <p>4x</p>	<b>G</b>	 <p>M6 (8)</p> <p>2x</p>
<b>C</b>	 <p>(M12)x40 - 10.9</p> <p>4x</p>	<b>H</b>	 <p>M6</p> <p>2x</p>
<b>D</b>	 <p>M12</p> <p>14x</p>	<b>I</b>	 <p>(M6)x20 - 8.8</p> <p>2x</p>
<b>E</b>	 <p>2x</p>		





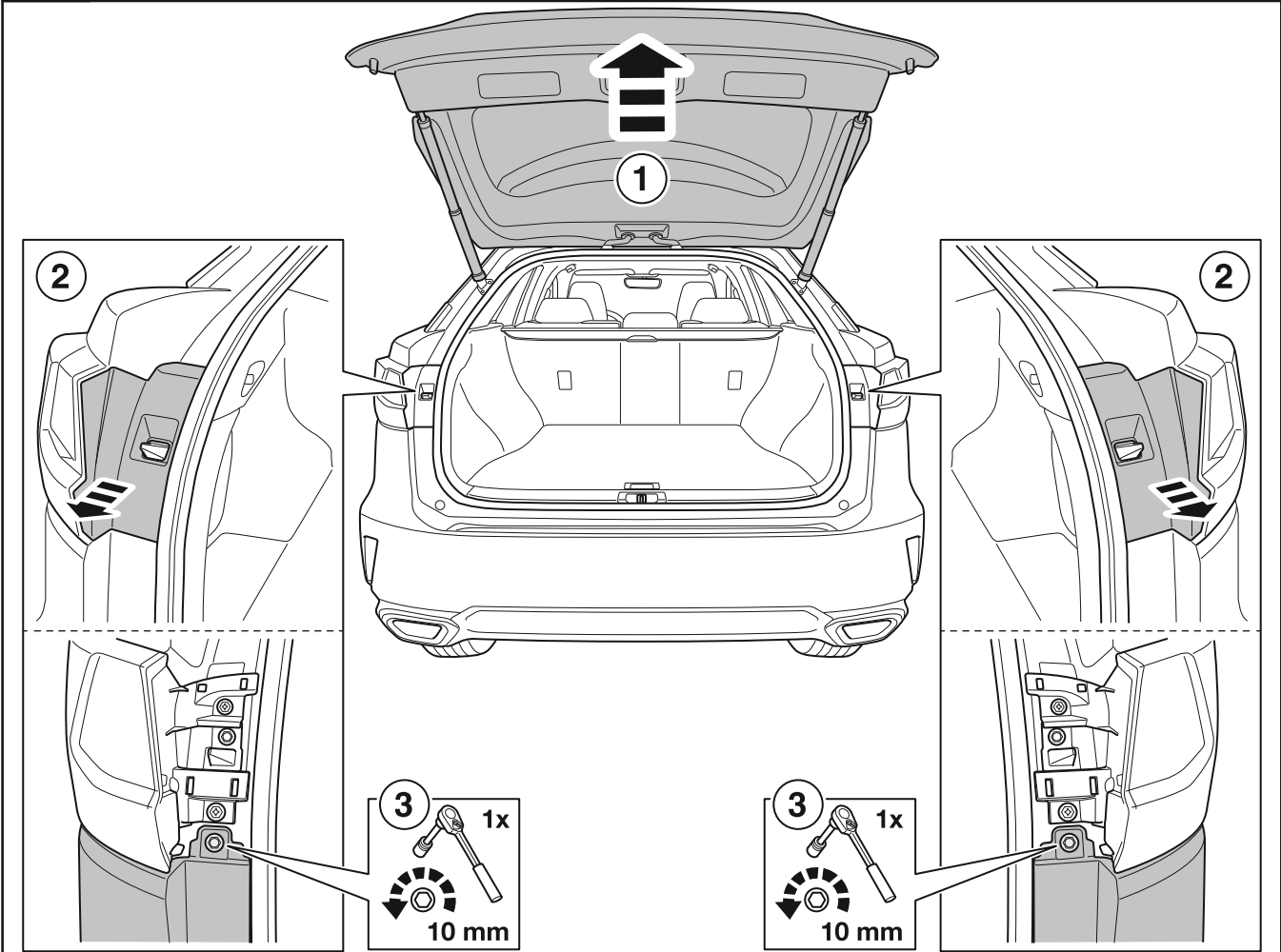
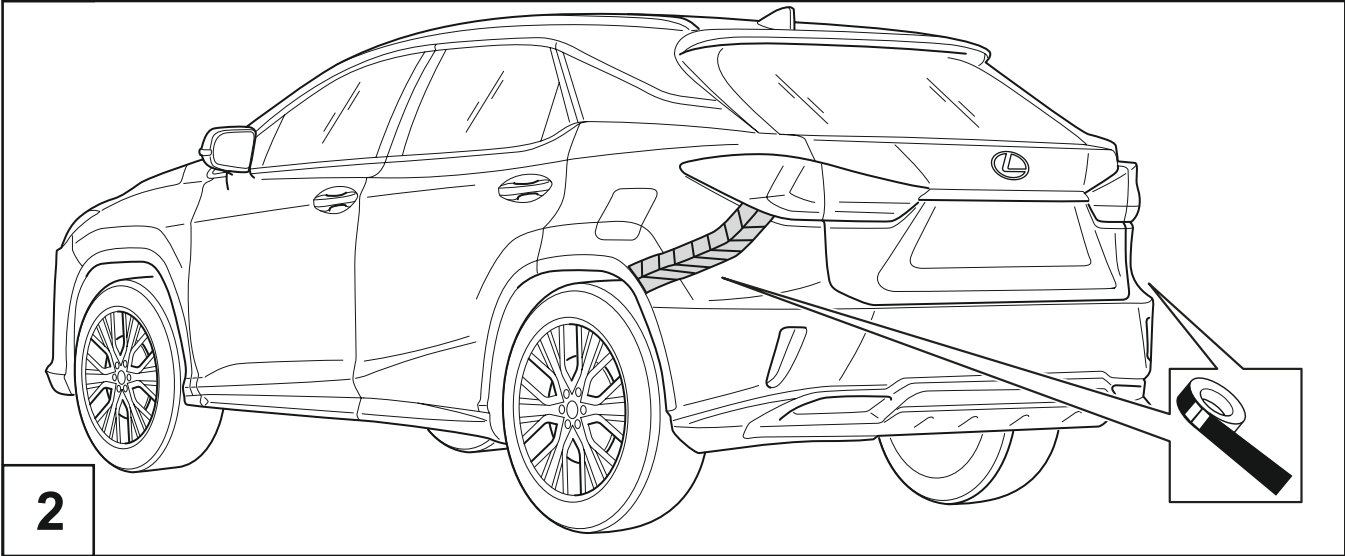
**GB** NOTICES

- \* The user manual of the car contains the towing data.
- In case of any changes in vehicle weight, the maximum permissible trailer load must be recalculated if necessary from the D-value.
- The resulting data should be passed to your Dealer or TÜV authority.
- \* The electrical unit must be connected according to the StVZO.

**1**

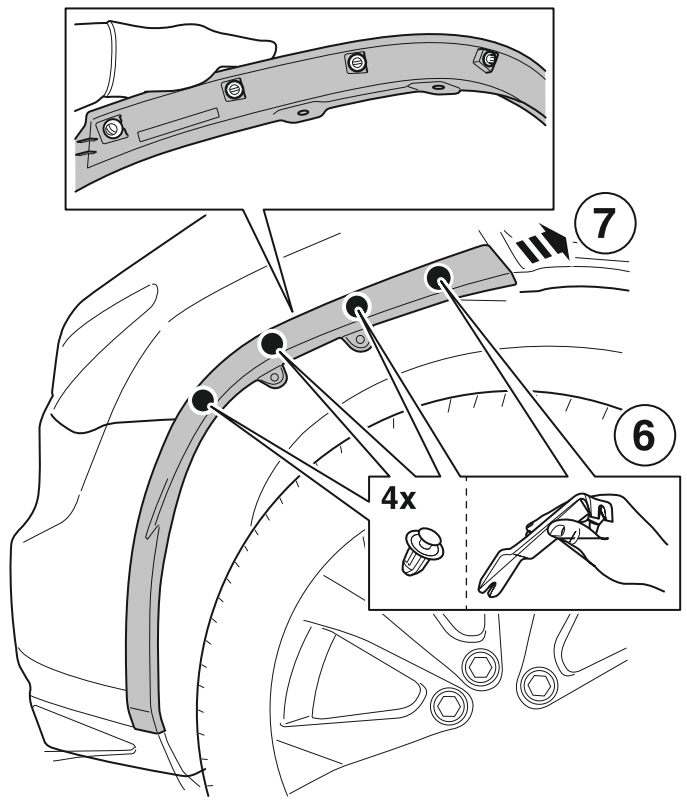
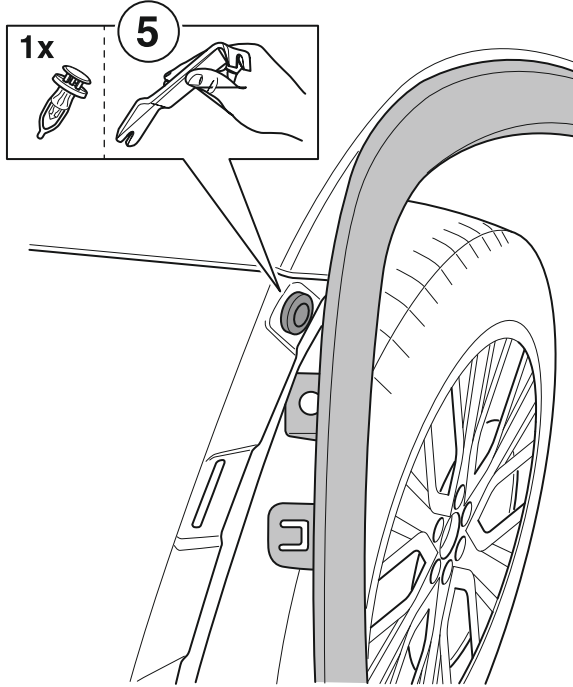
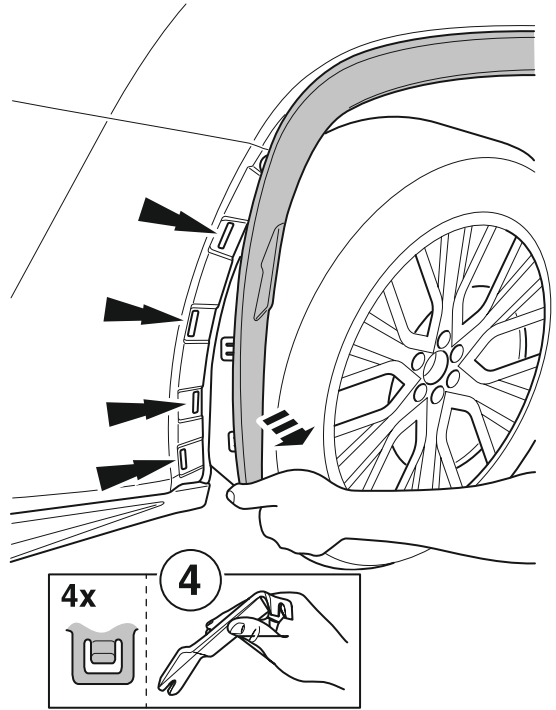
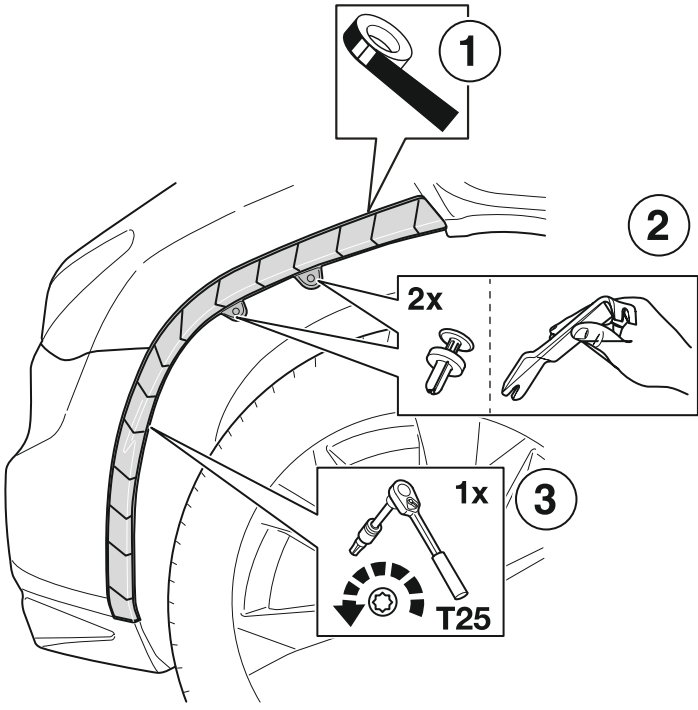
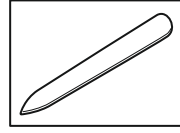
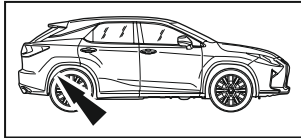
**STOP**

$\geq 90''$

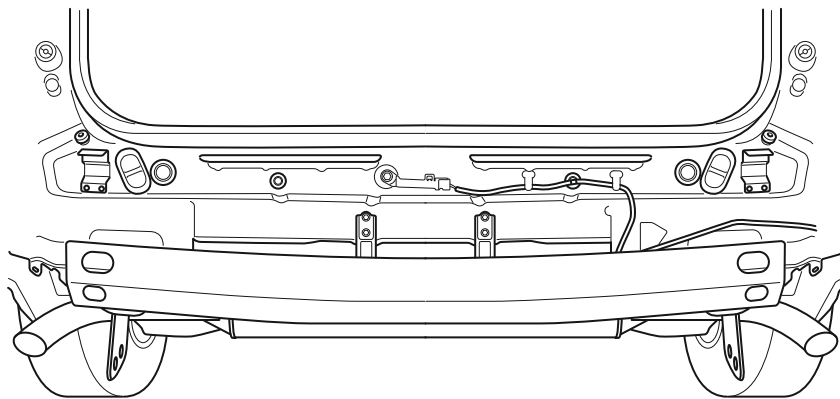
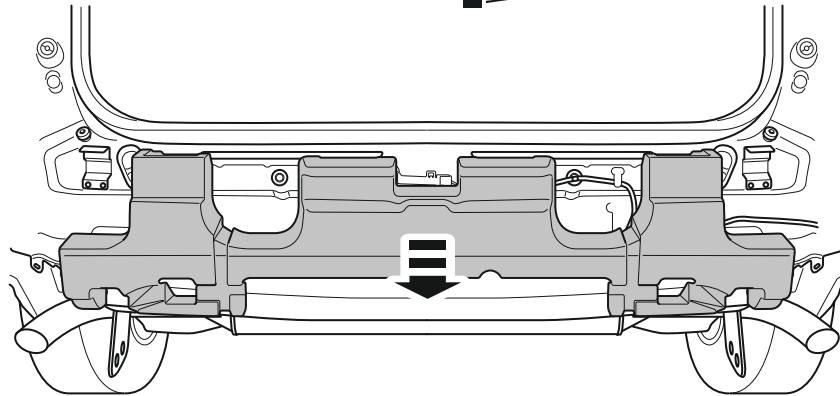
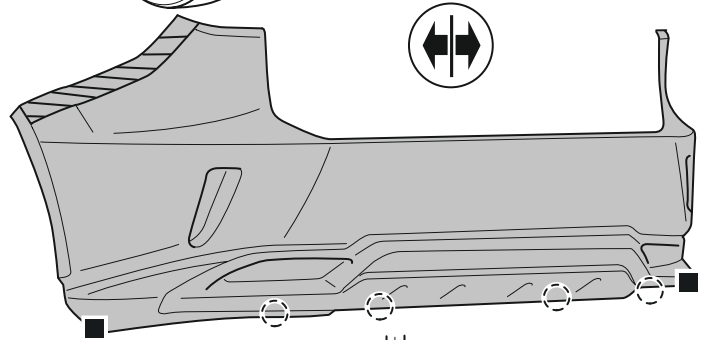
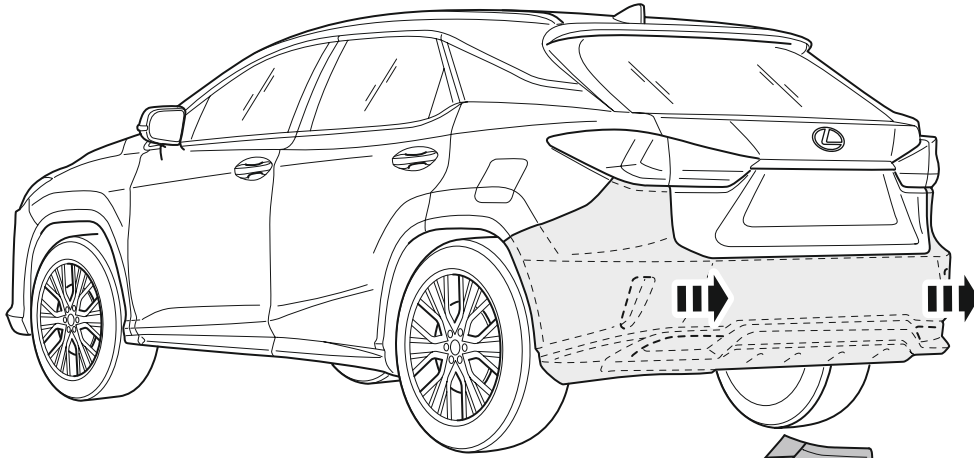
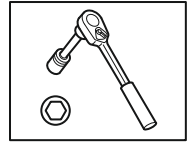
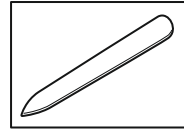


**3**

LH=RH

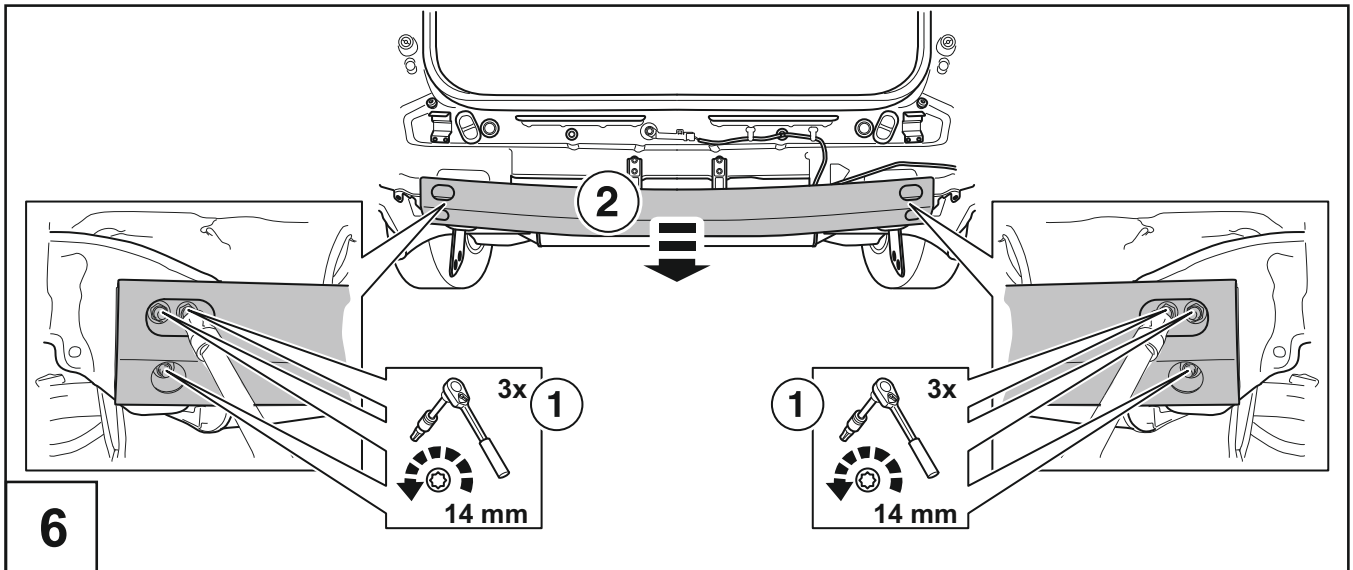


4

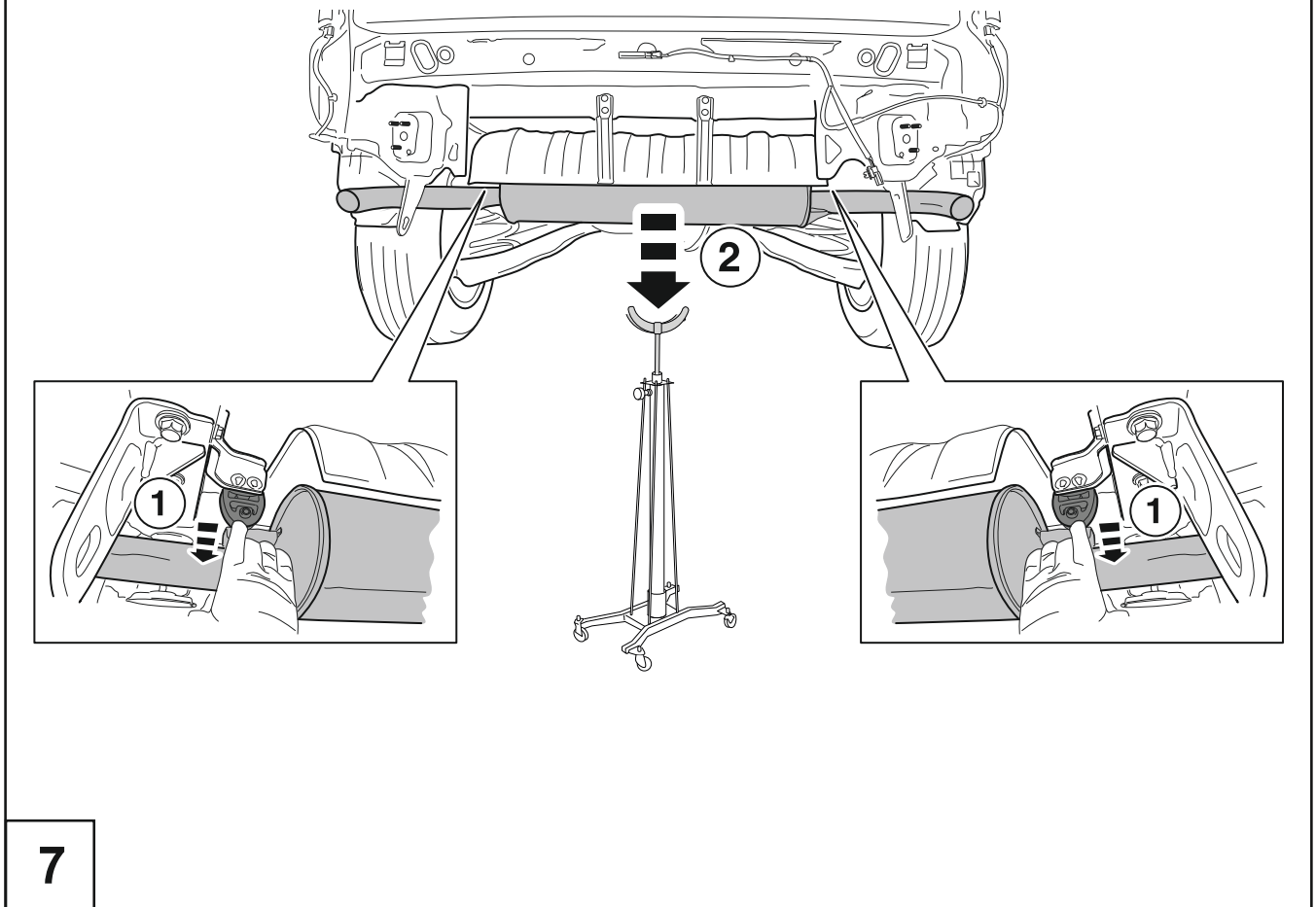
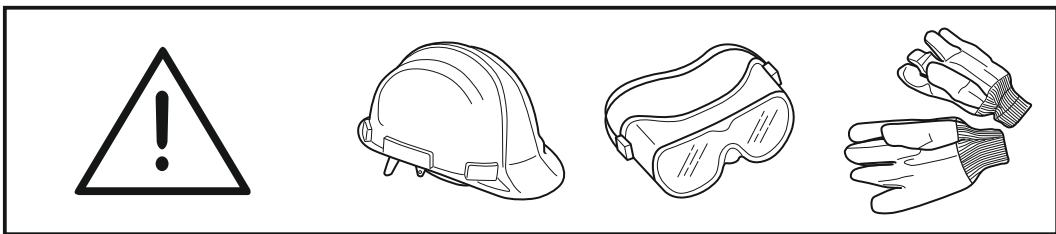


5

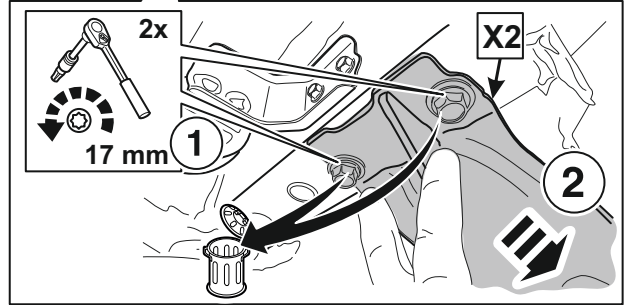
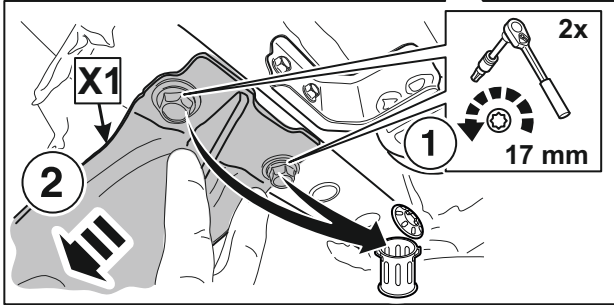
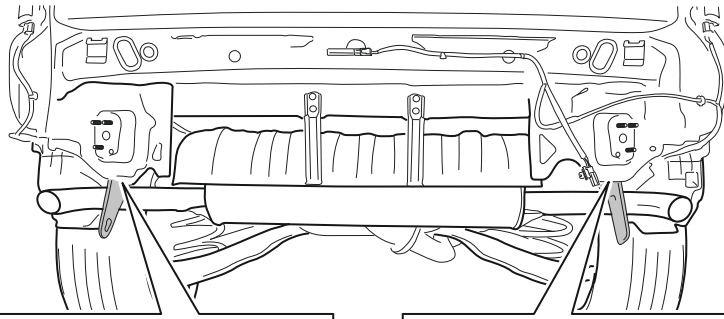




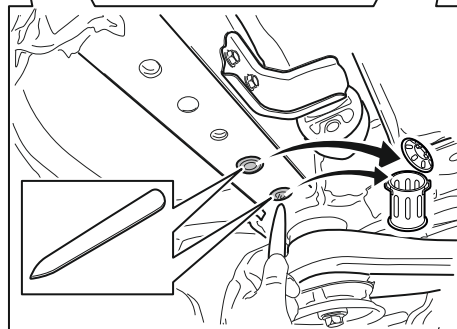
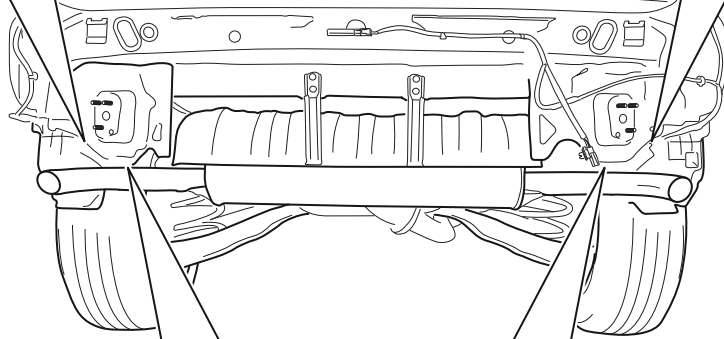
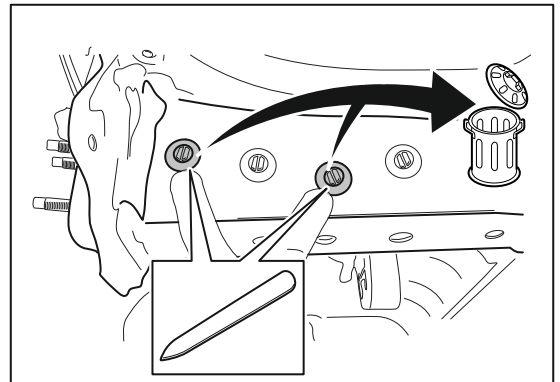
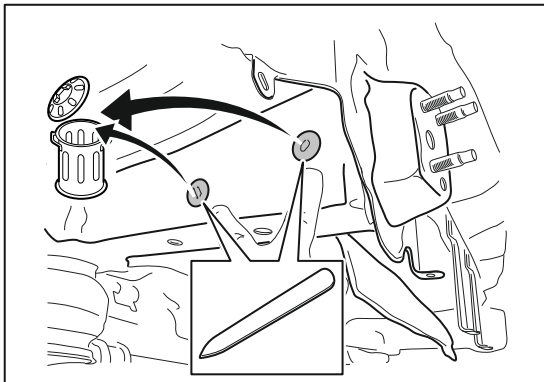
6



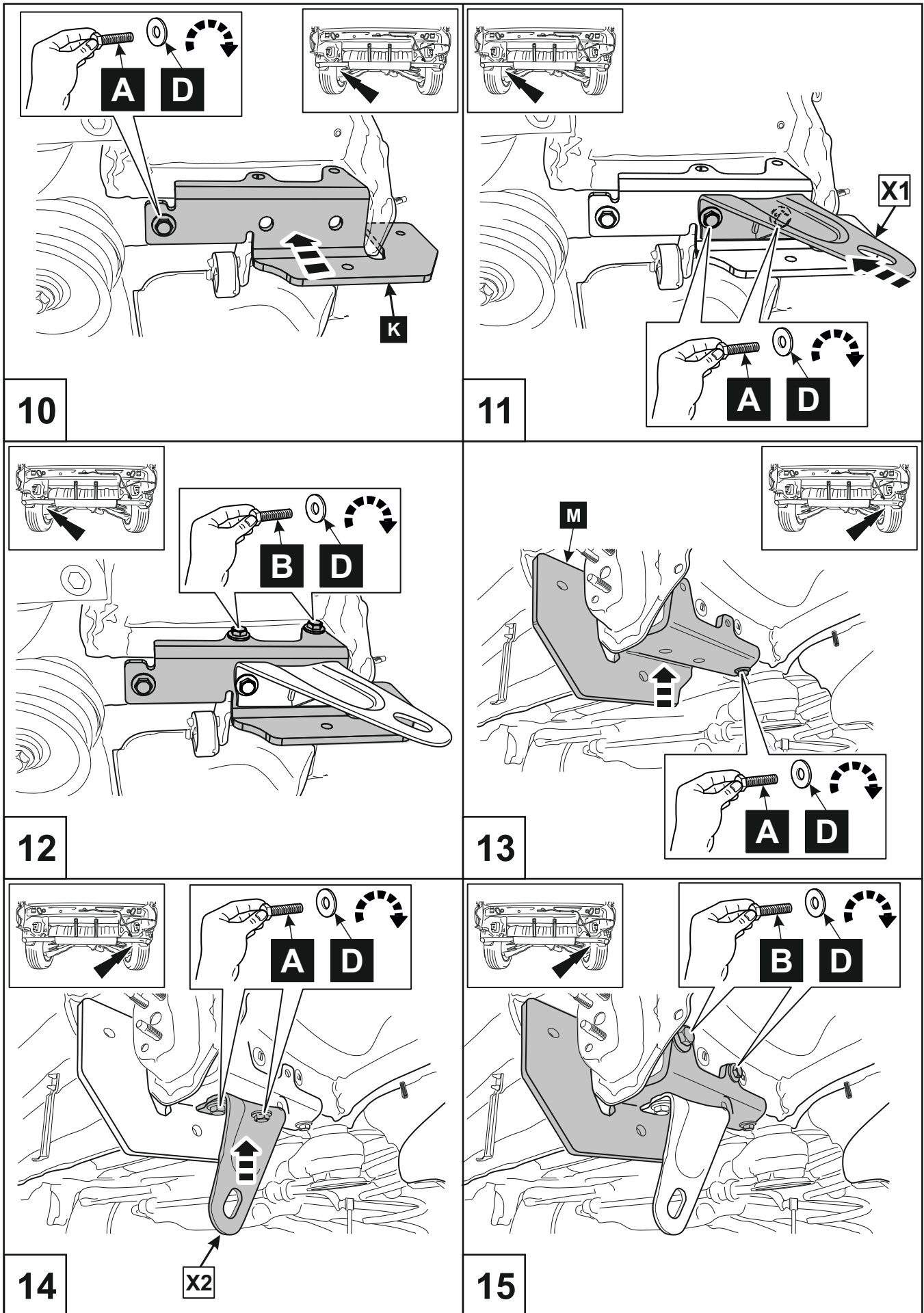
7

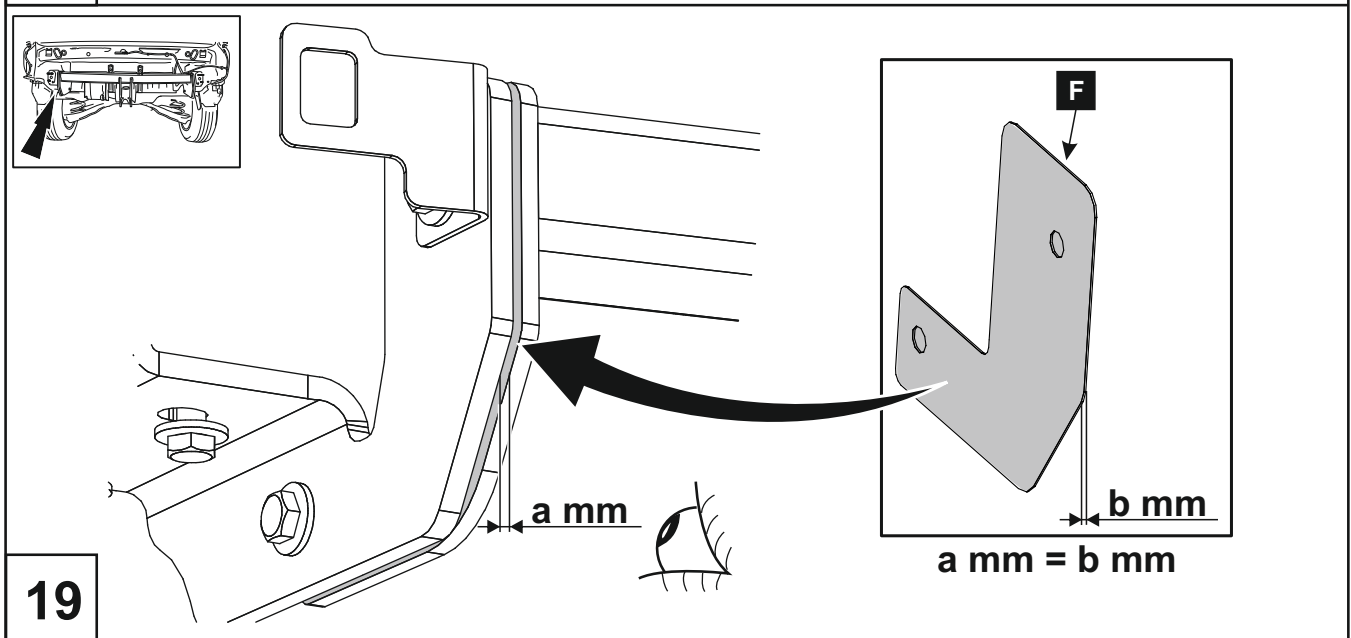
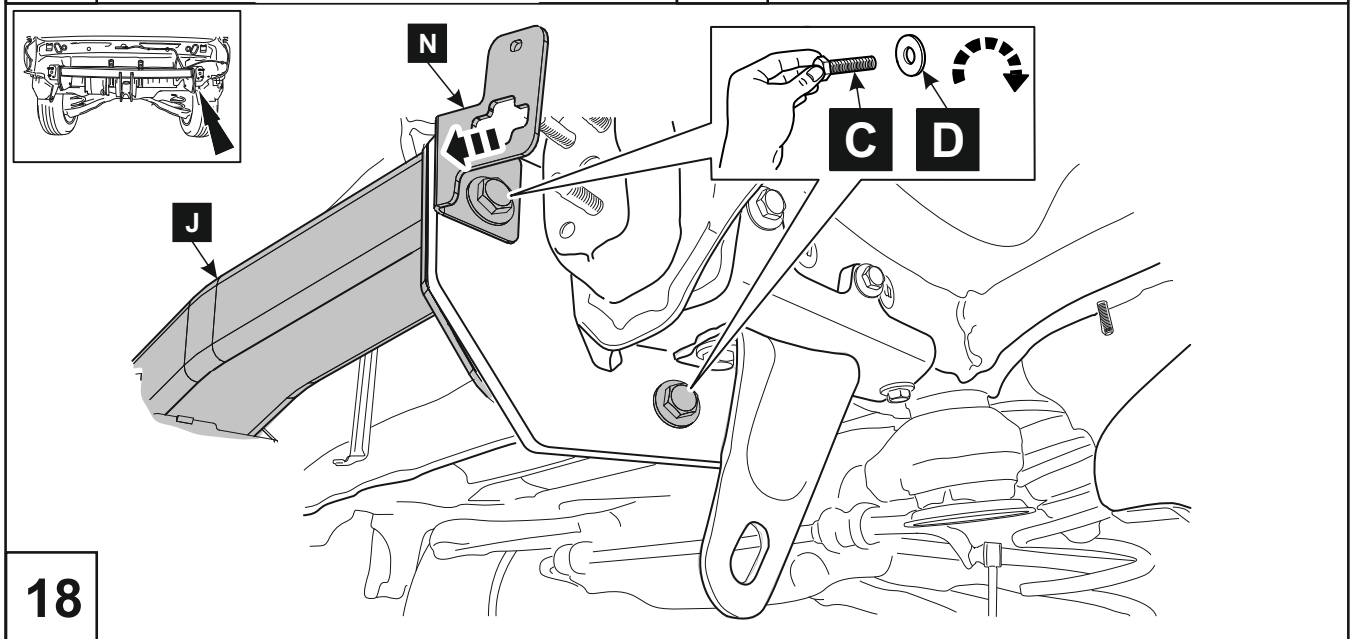
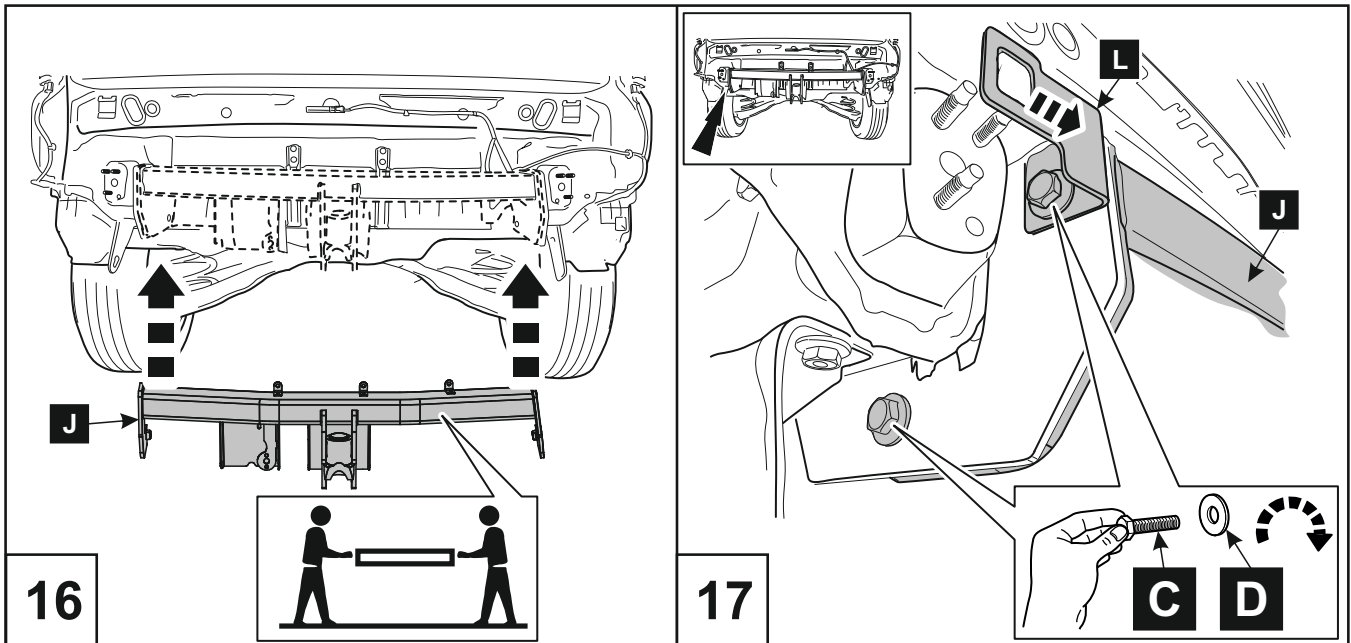


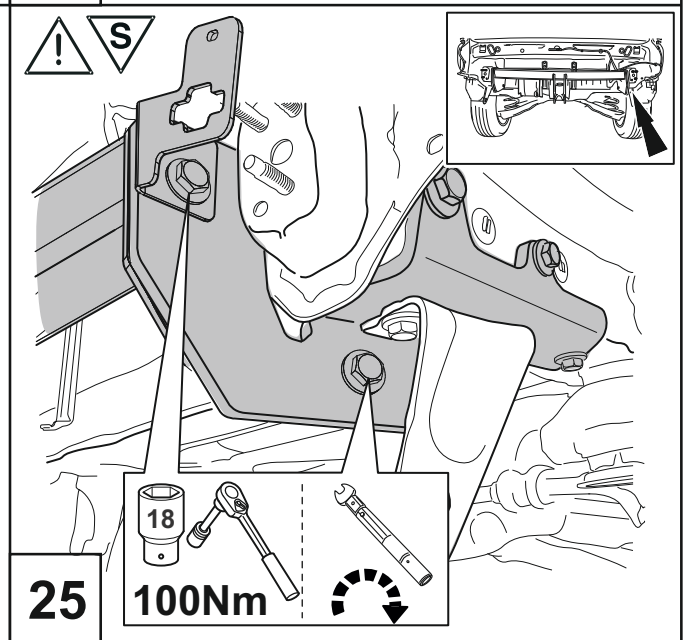
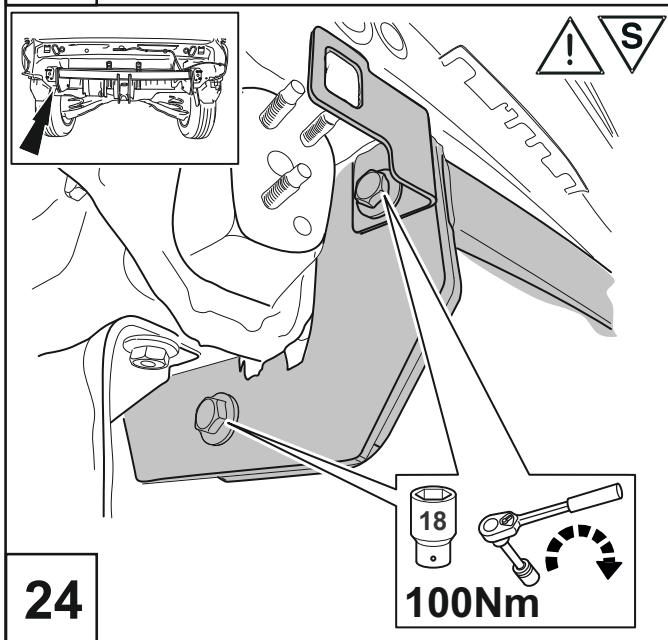
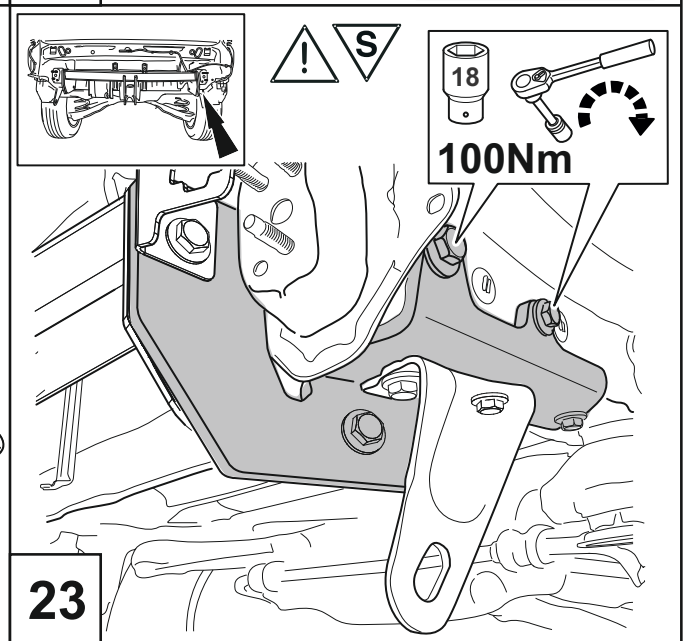
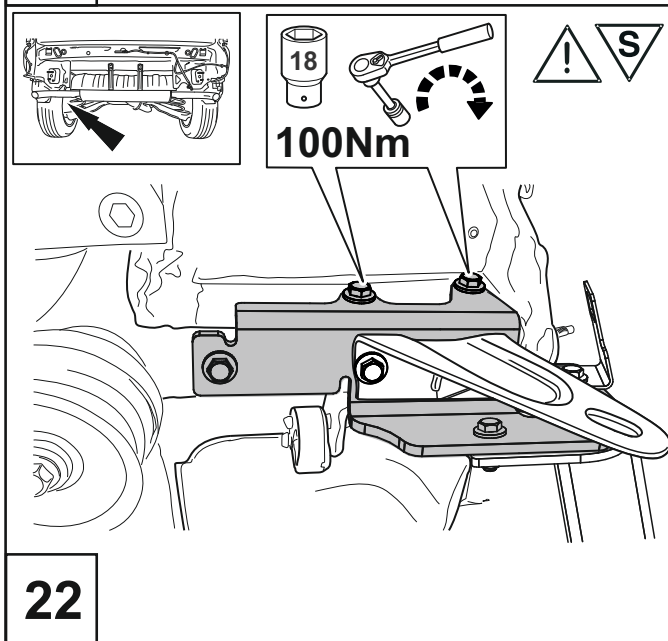
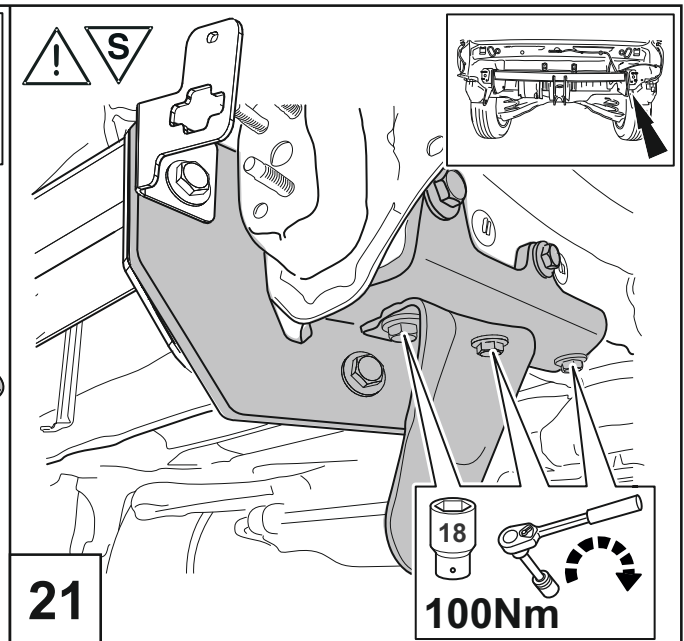
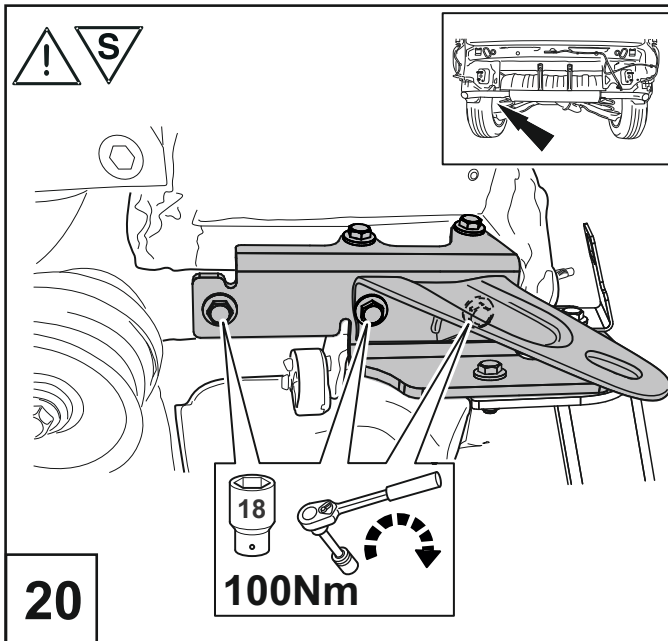
8

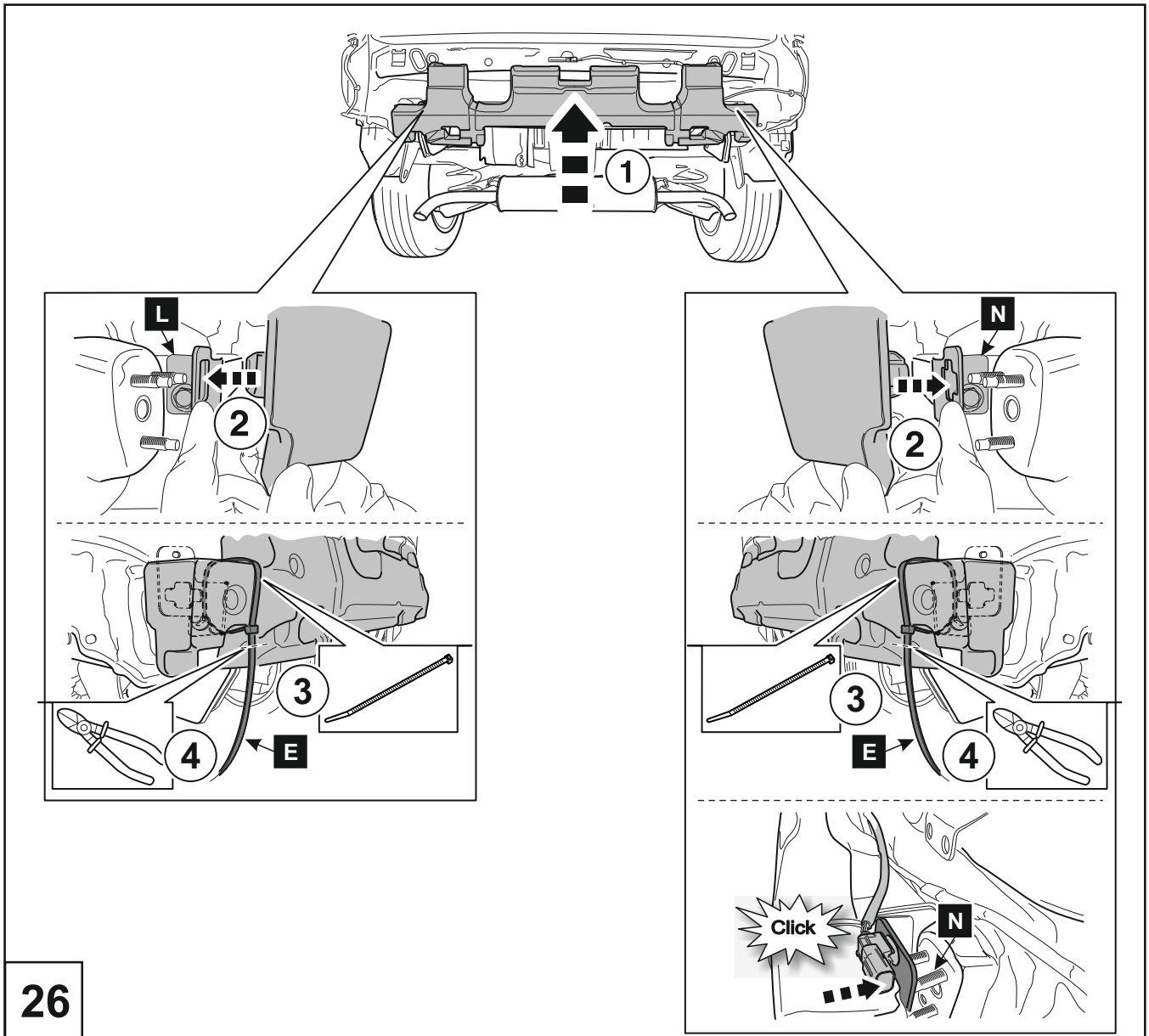


9

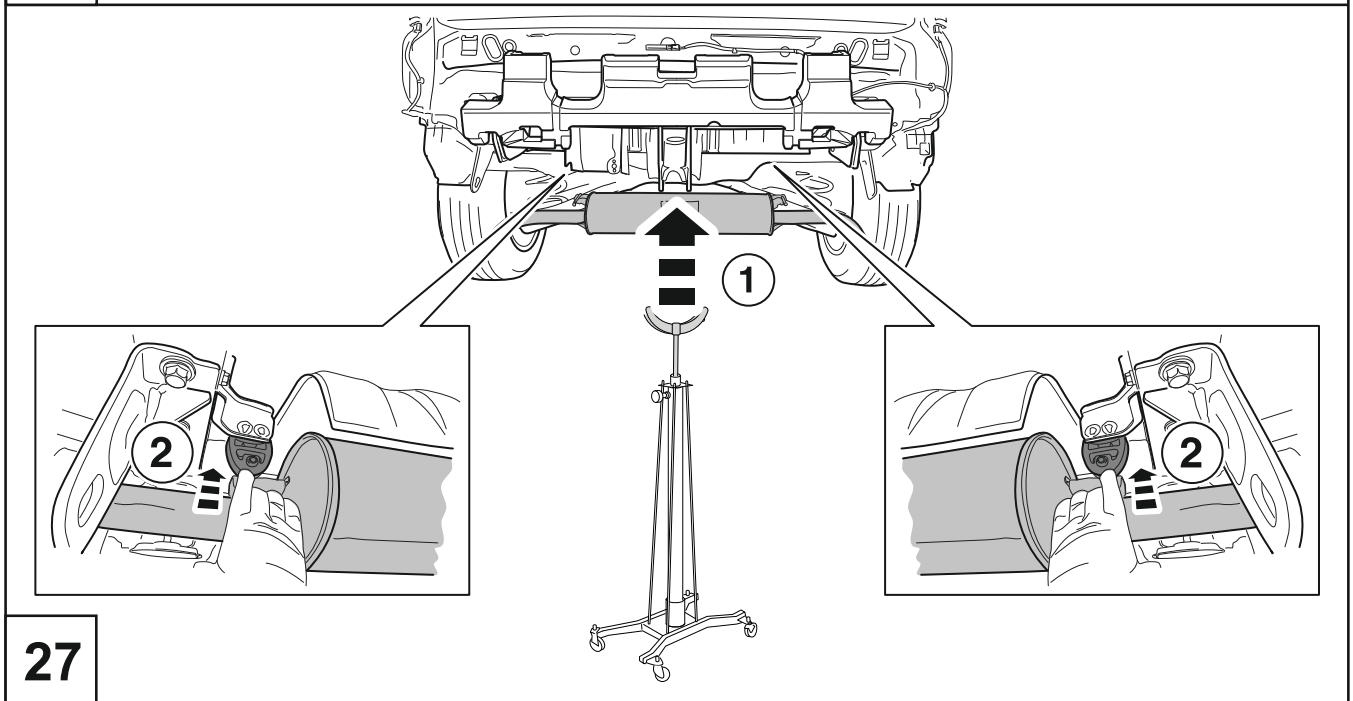




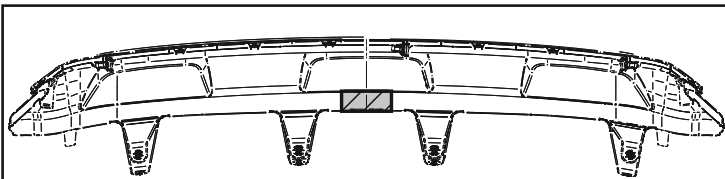




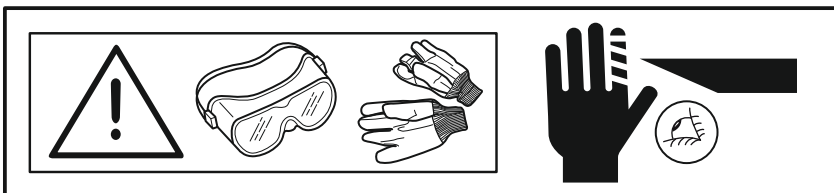
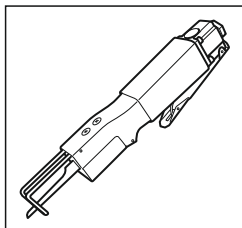
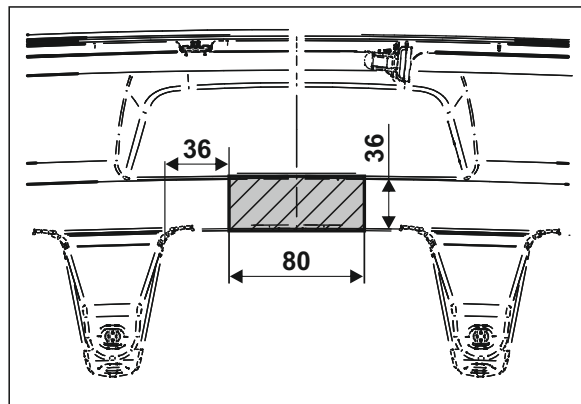
26



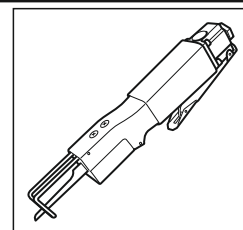
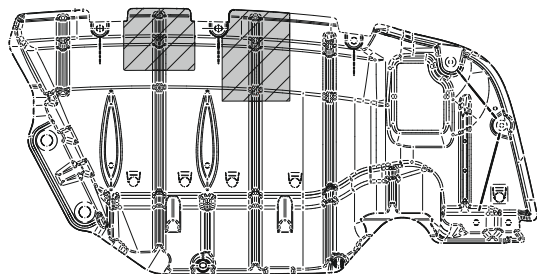
27



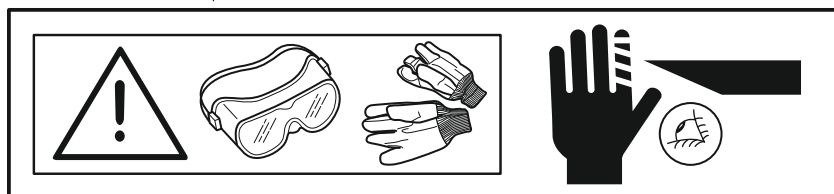
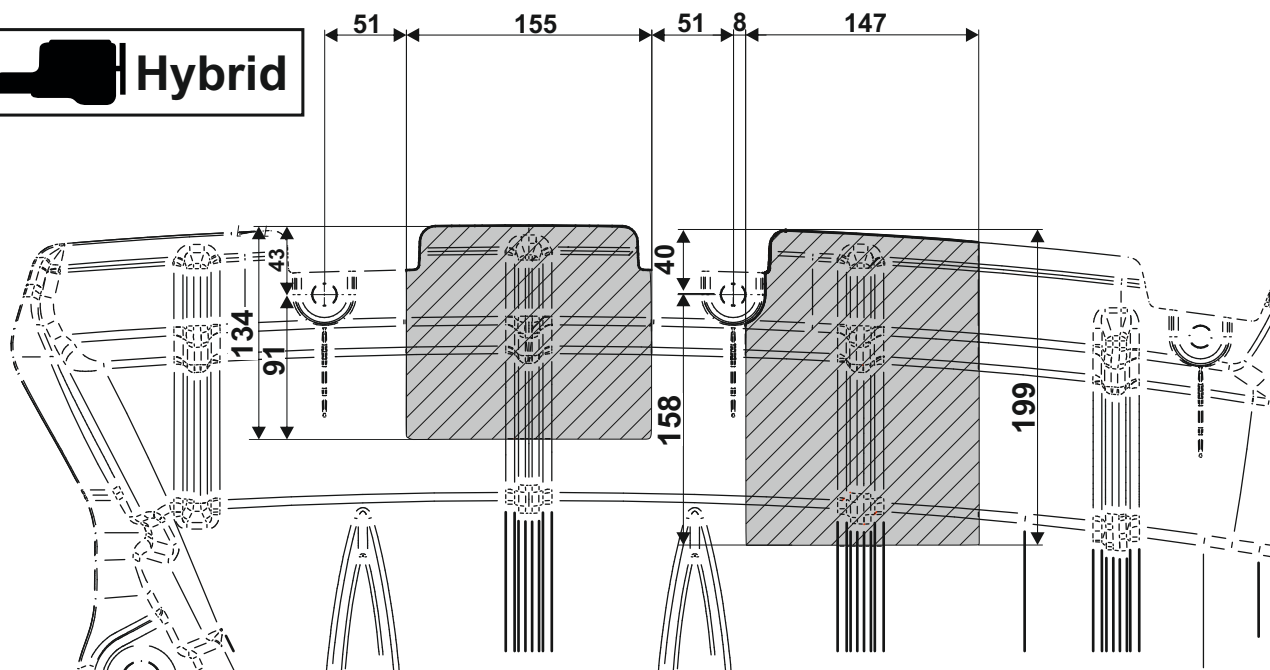
 **Petrol**



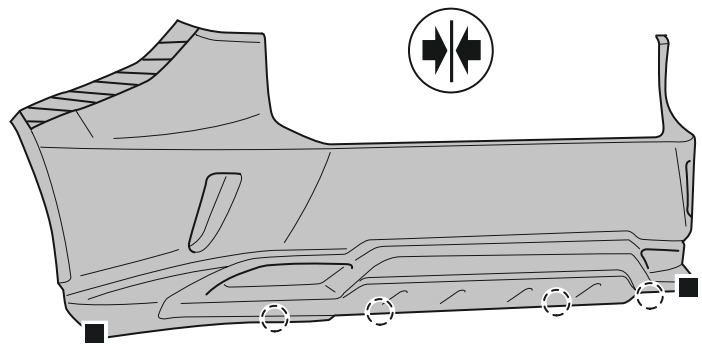
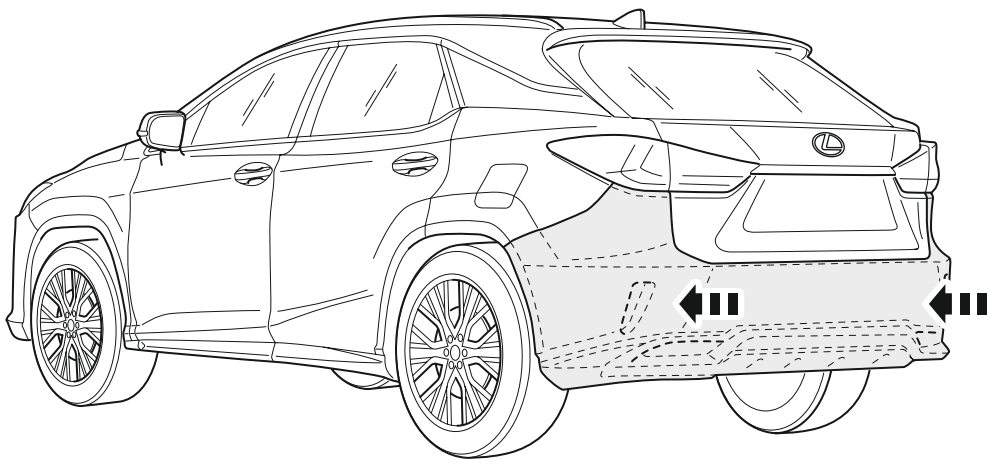
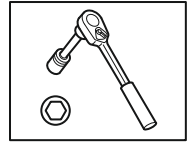
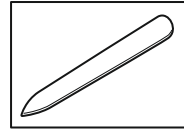
**28**



 **Hybrid**



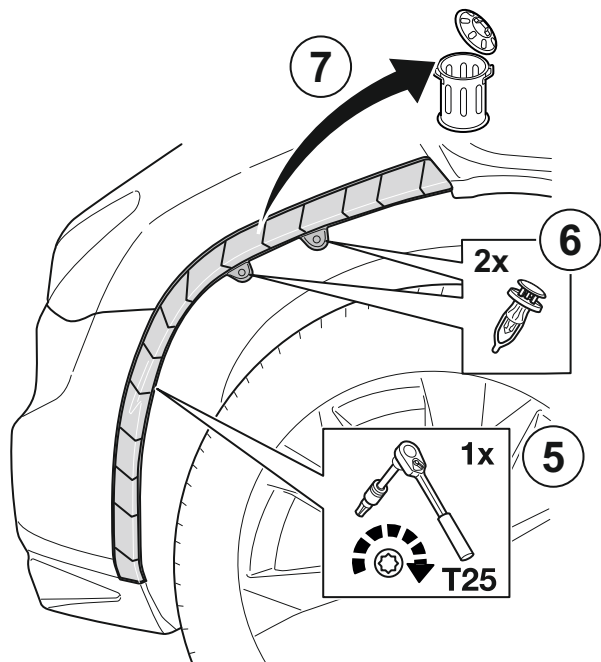
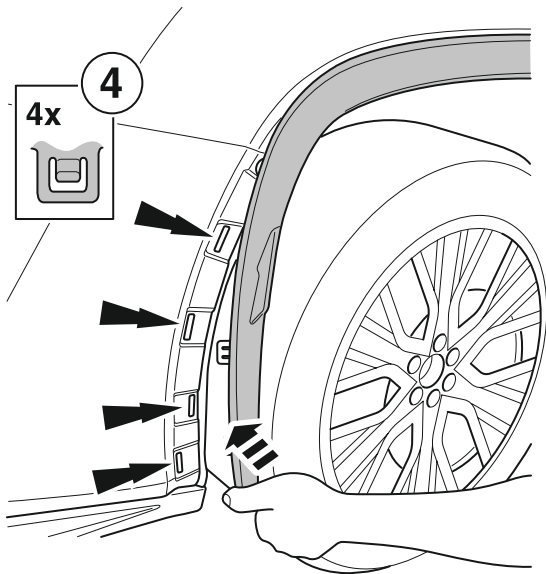
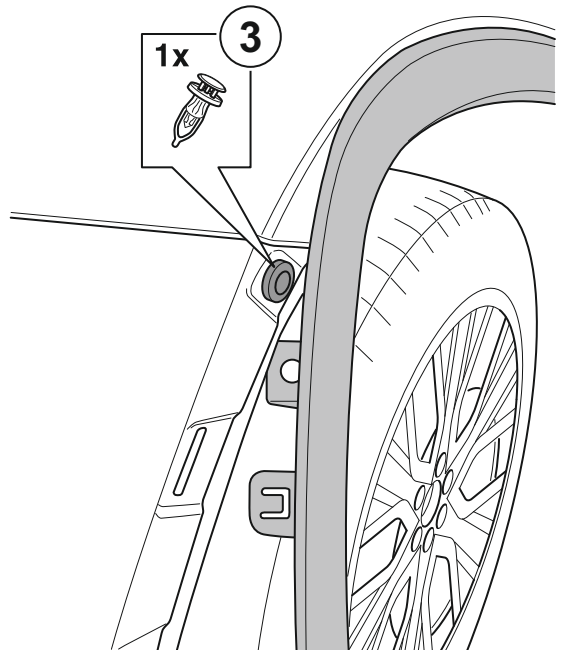
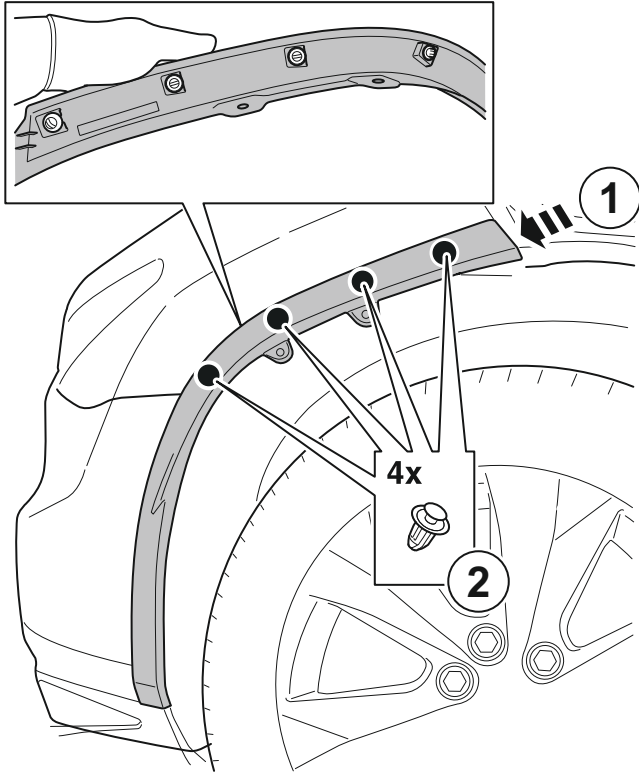
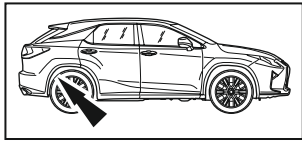
**29**



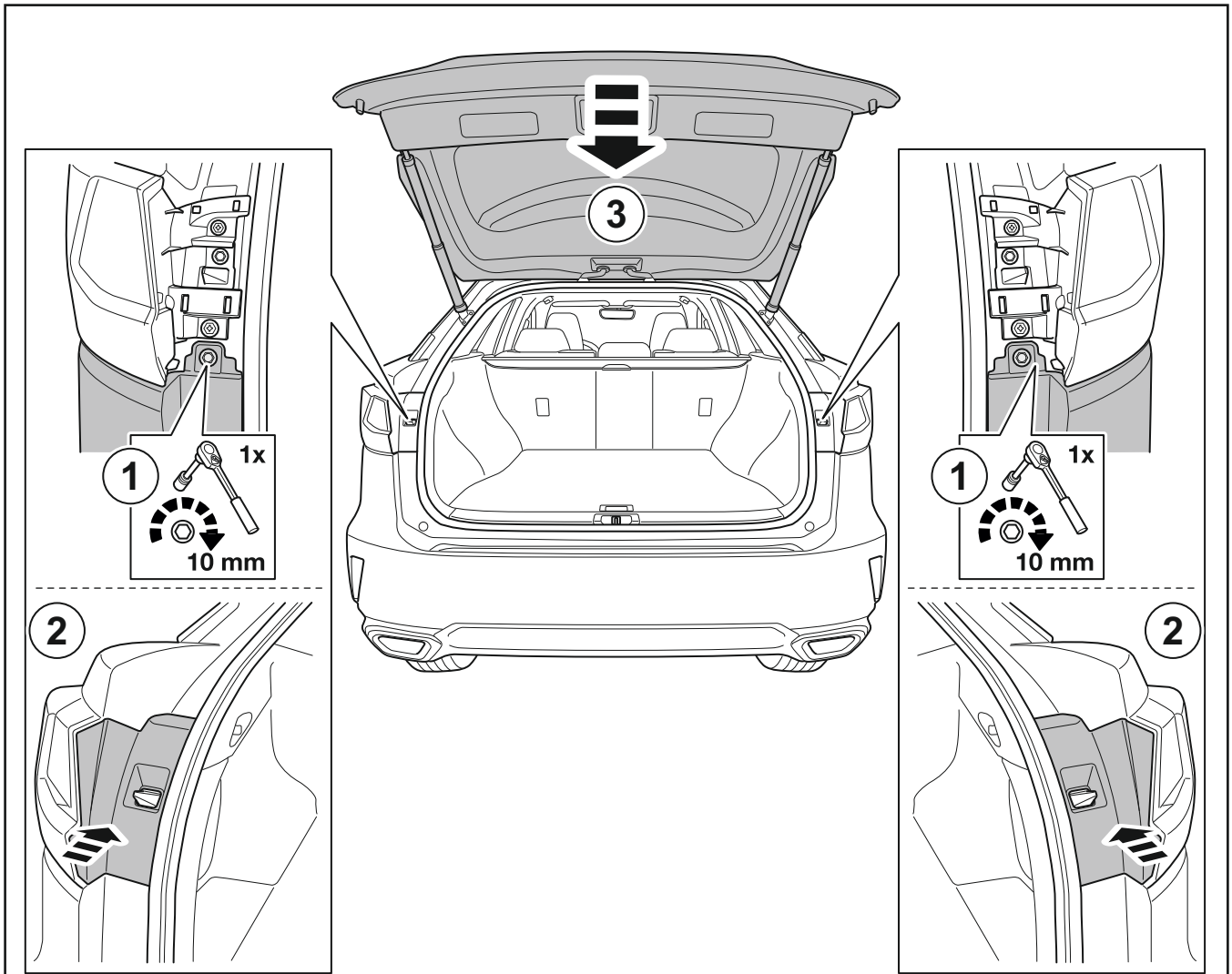
30



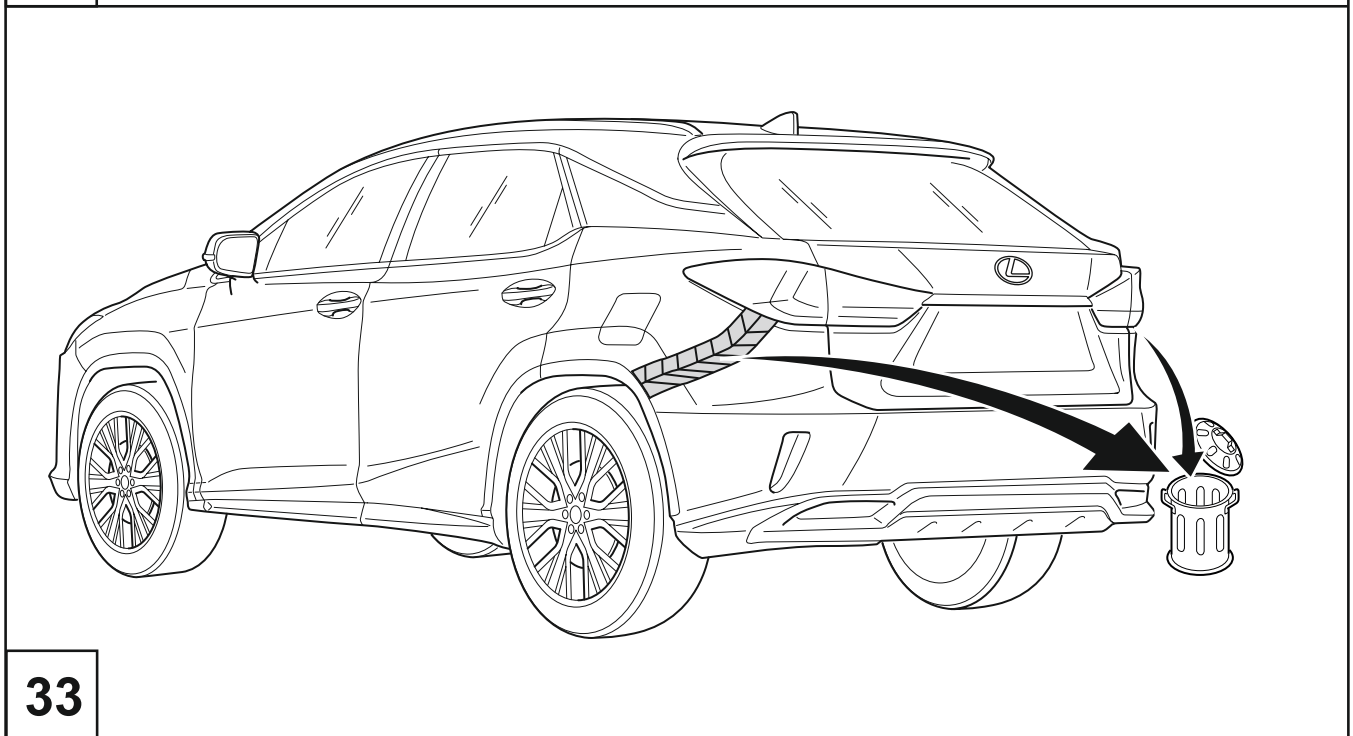
LH=RH

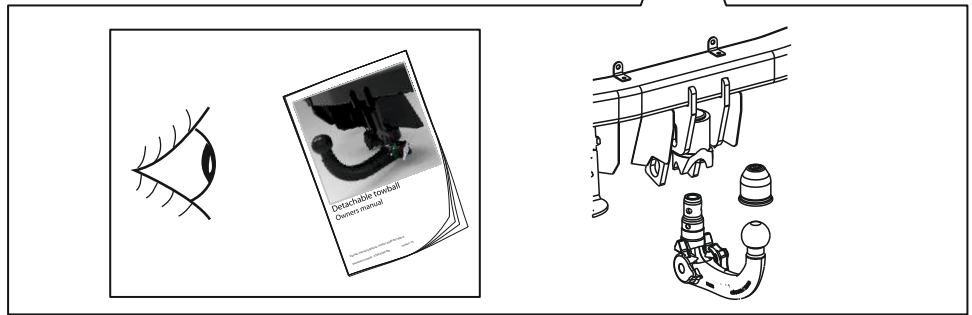
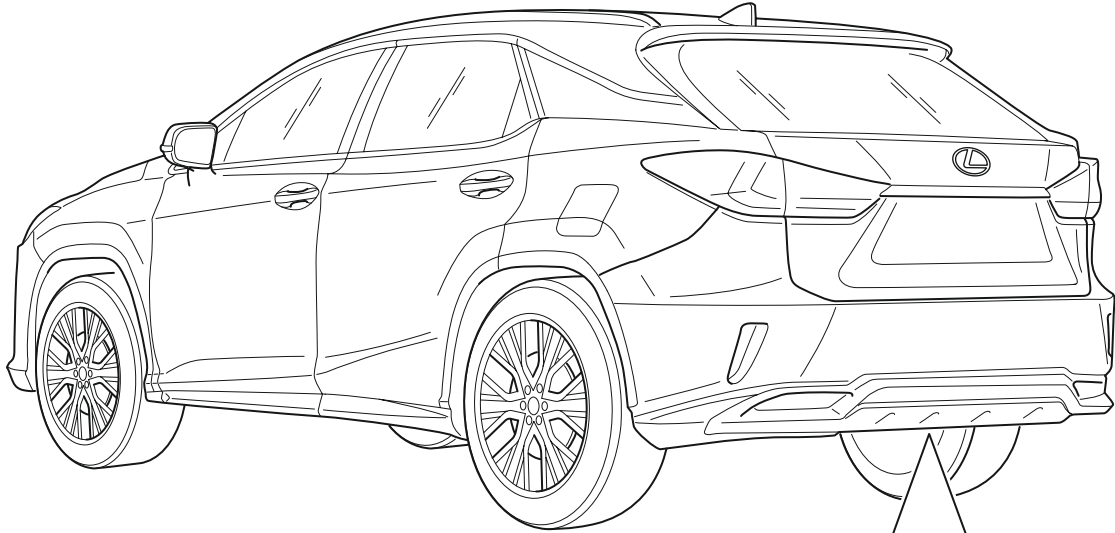


31

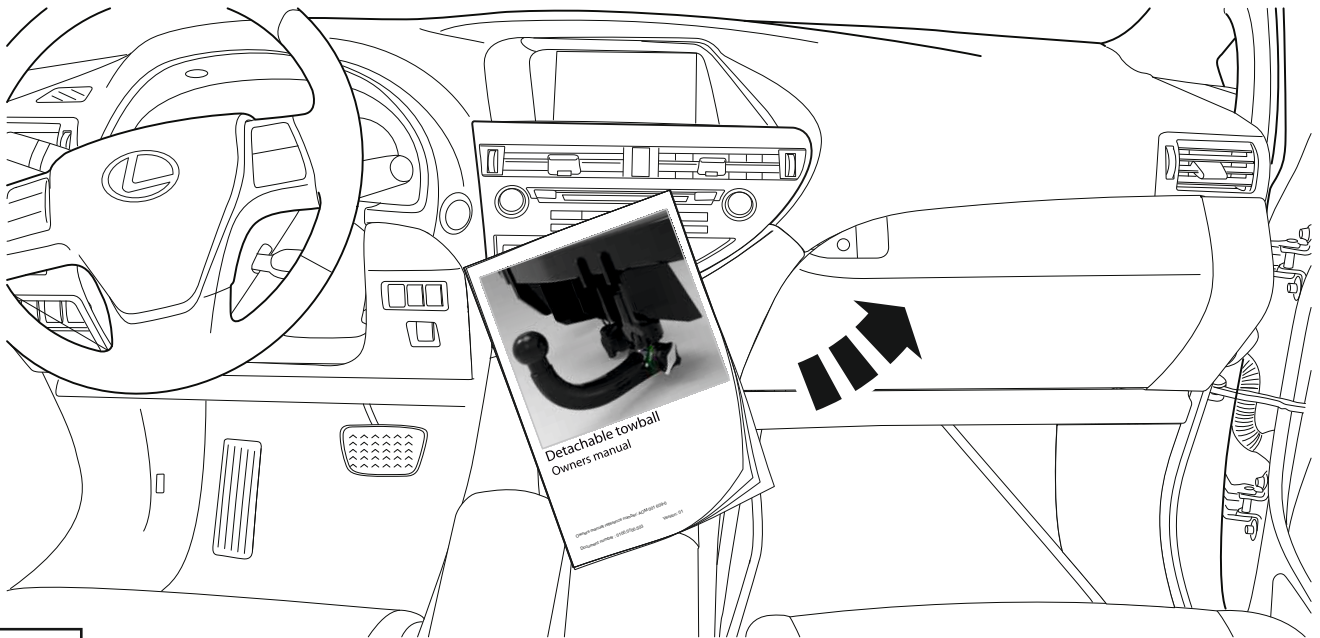


32

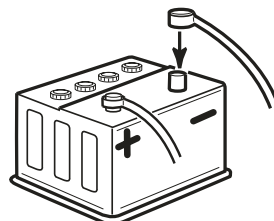




**34**



**35**



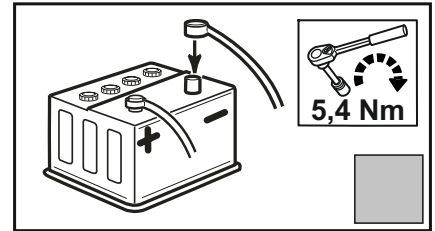
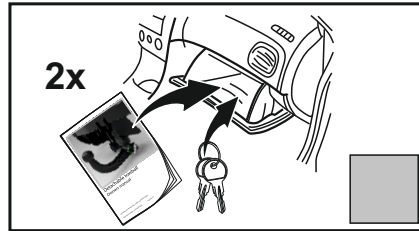
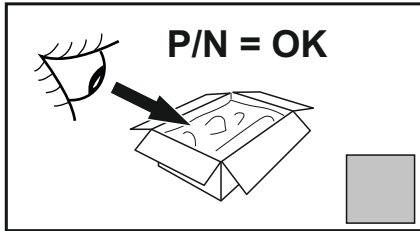
**36**

# CHECK SHEET 1/2

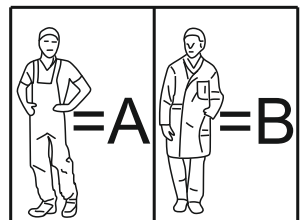
Vertical Detachable  
Towing Hitch

Model / Year : Lexus RX 2015 / 10

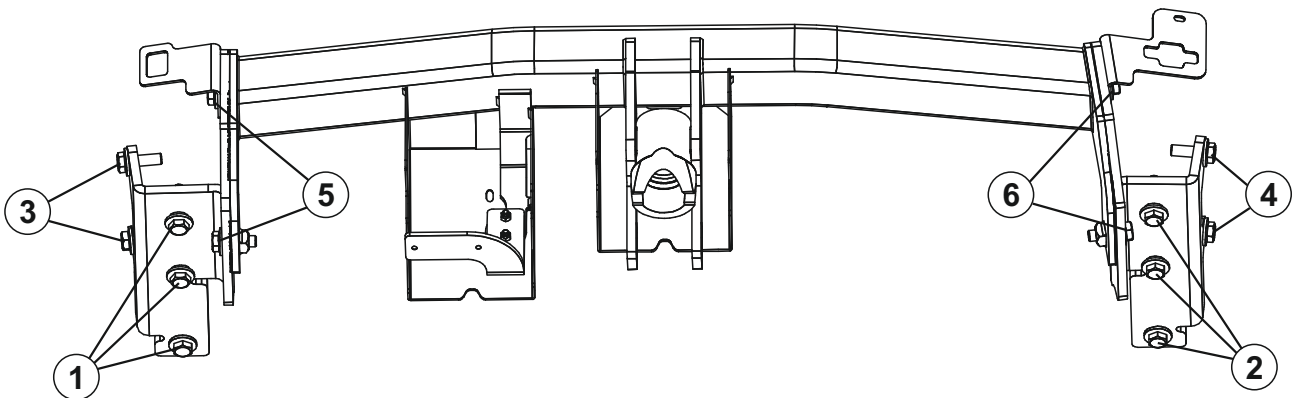
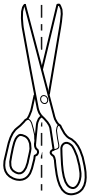
VIN n°



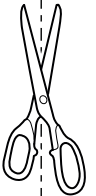
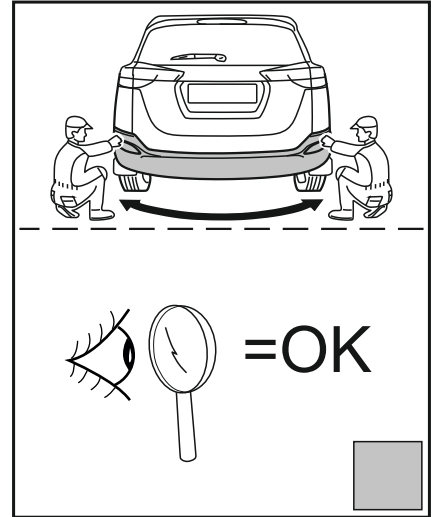
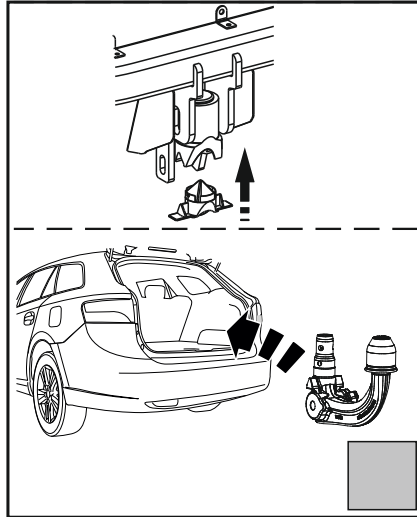
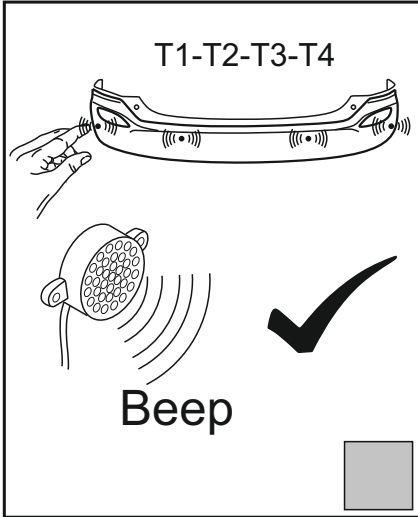
Serial Number



1→2→3→...			
1	100 Nm 3x	<input type="checkbox"/>	<input type="checkbox"/>
2	100 Nm 3x	<input type="checkbox"/>	<input type="checkbox"/>
3	100 Nm 2x	<input type="checkbox"/>	<input type="checkbox"/>
4	100 Nm 2x	<input type="checkbox"/>	<input type="checkbox"/>
5	100 Nm 2x	<input type="checkbox"/>	<input type="checkbox"/>
6	100 Nm 2x	<input type="checkbox"/>	<input type="checkbox"/>



# CHECK SHEET 2/2



**Installation Date:**

.. / .. / .....

**Technician Name & Signature:**

**Stamp:**