

25th Anniversary badge INSTALLATION INSTRUCTIONS LX 570

Model year	2014/08
Vehicle code	URJ201*-GNTCKW
Part number	PW189-60000

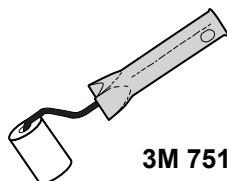
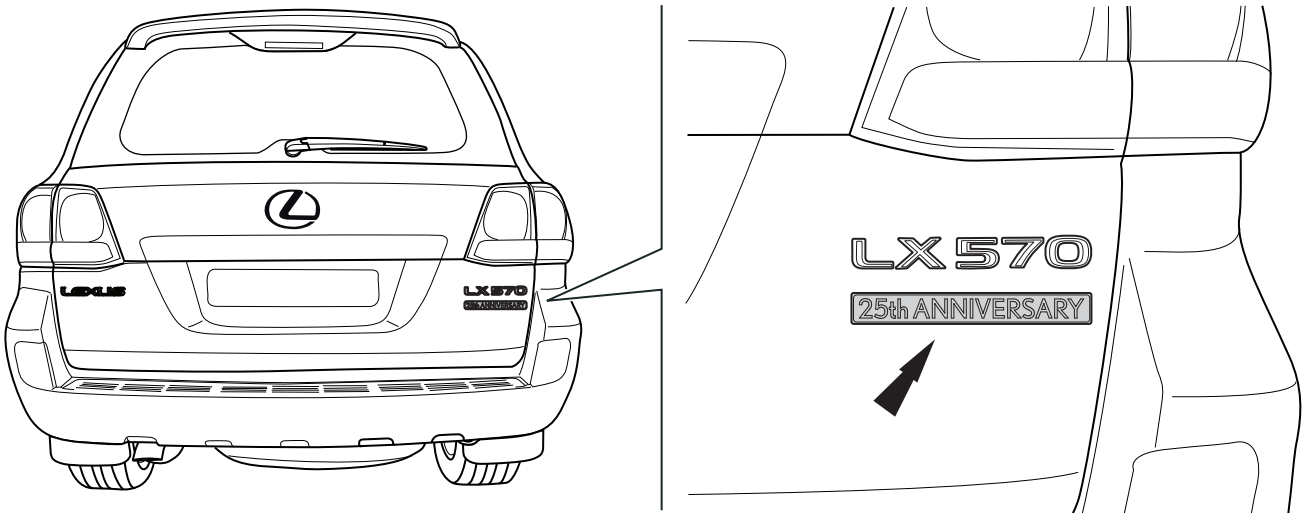
Revision Record

Rev. No.	Date	Page	Picture	Update	New	Deleted
1	28/08/2014	2 + 6	3 + CS	dimension		

PW189-60000

25th ANNIVERSARY

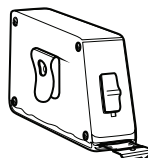
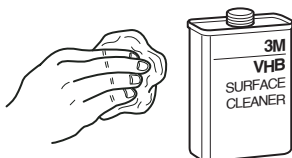
A



3M 751



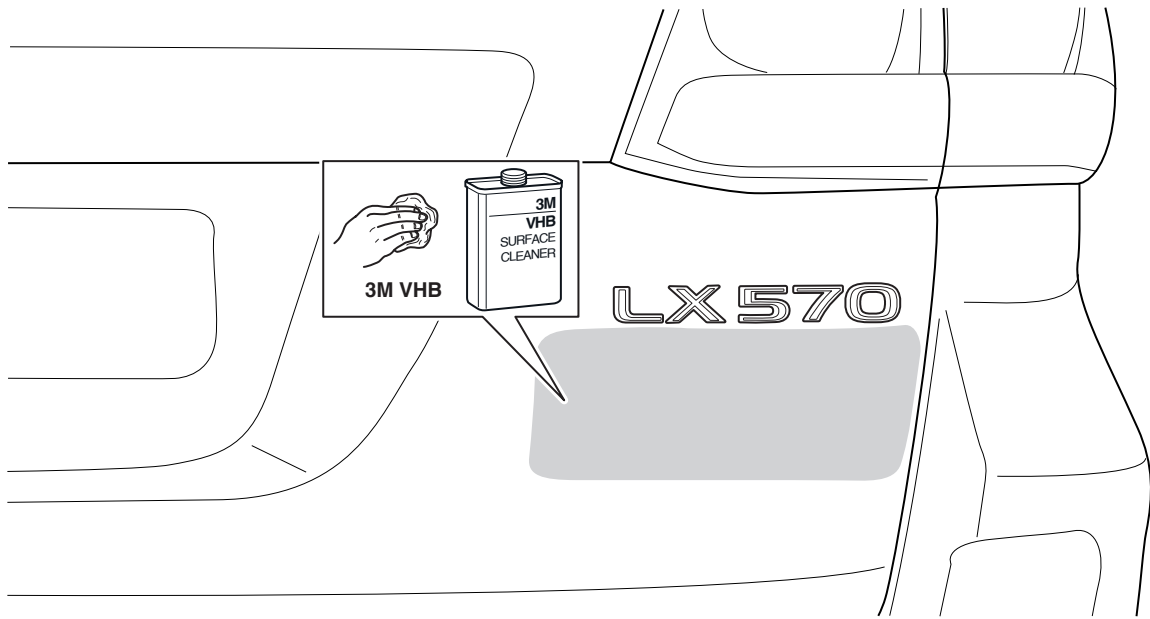
3M 2010



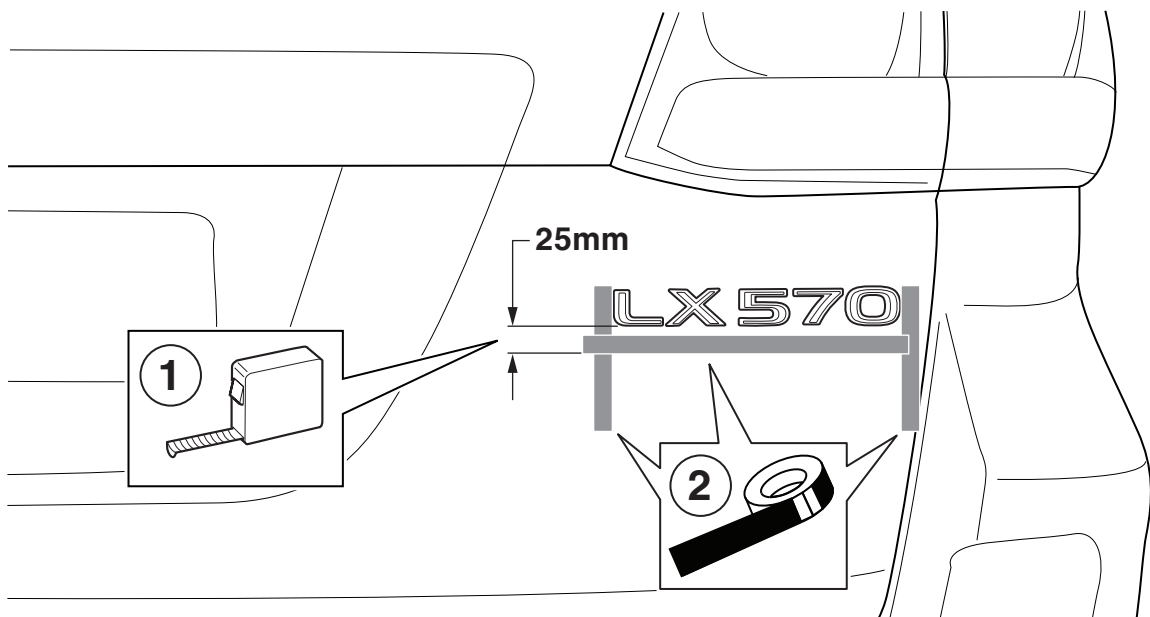


40°C

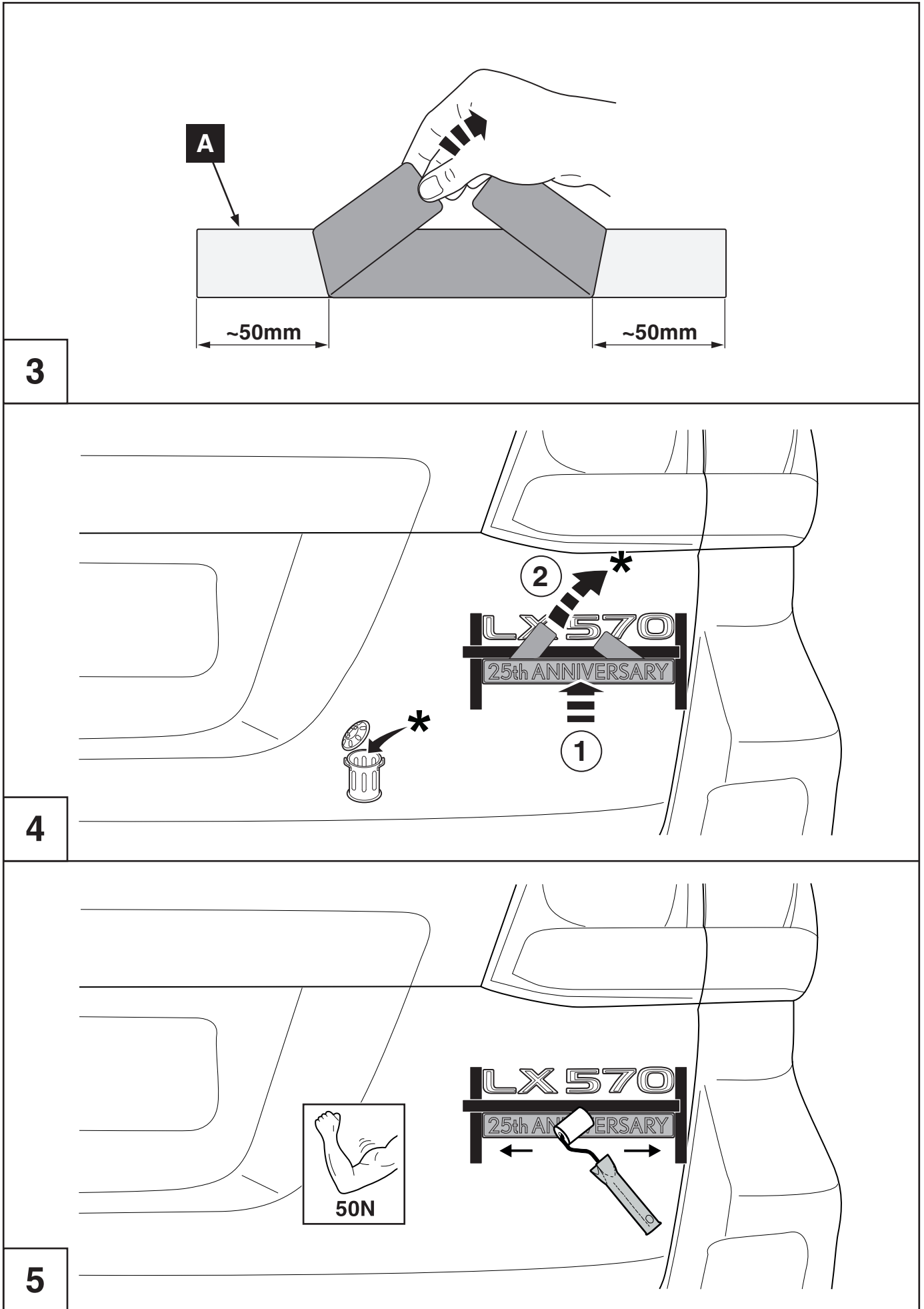
18°C

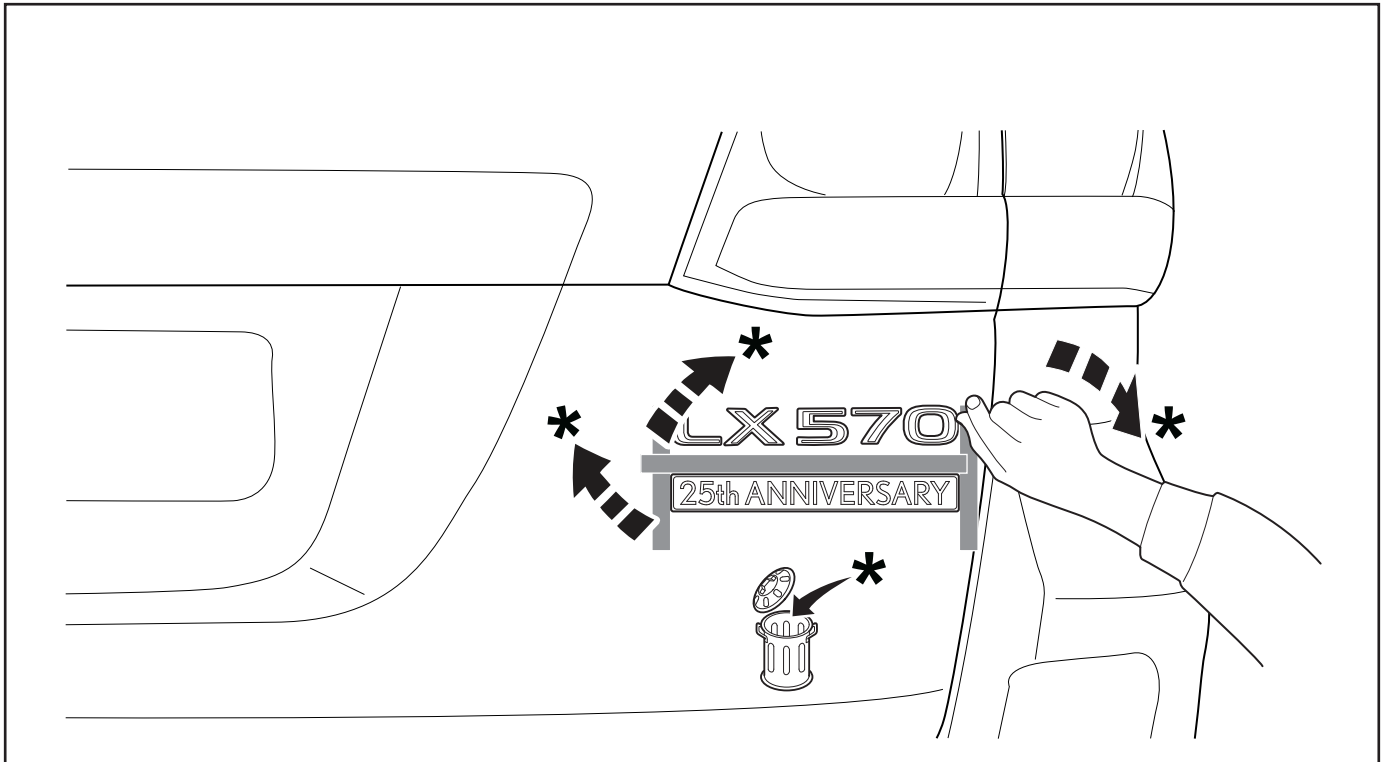


1

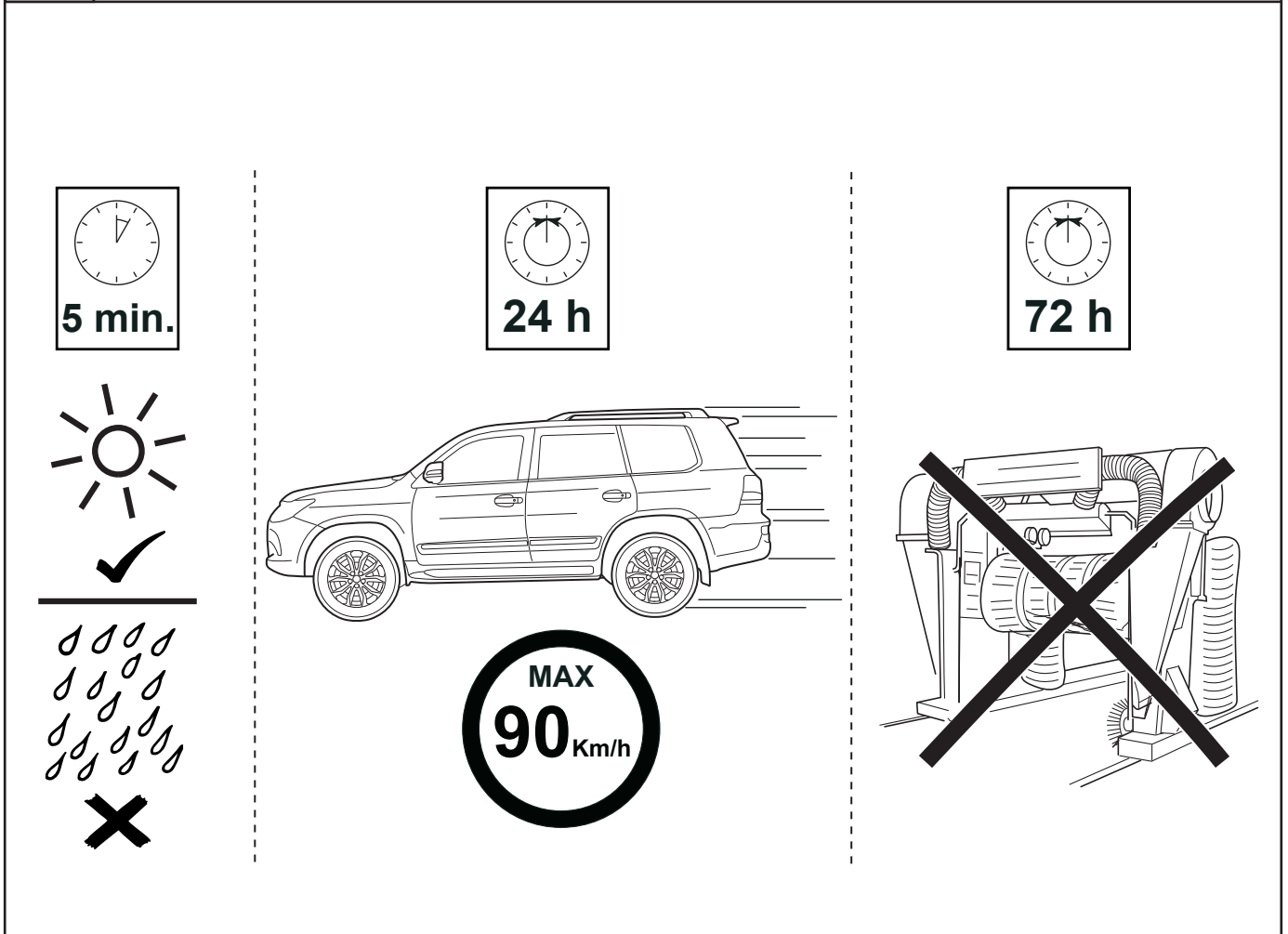


2





6



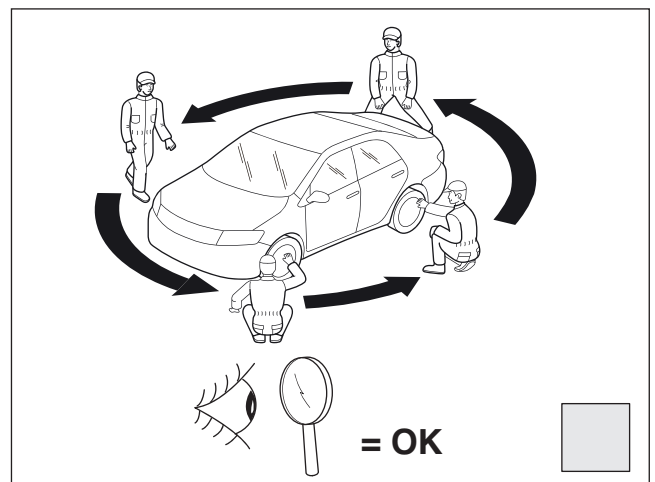
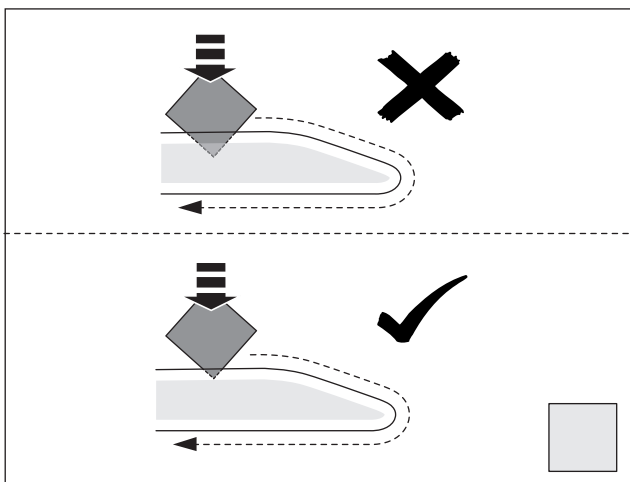
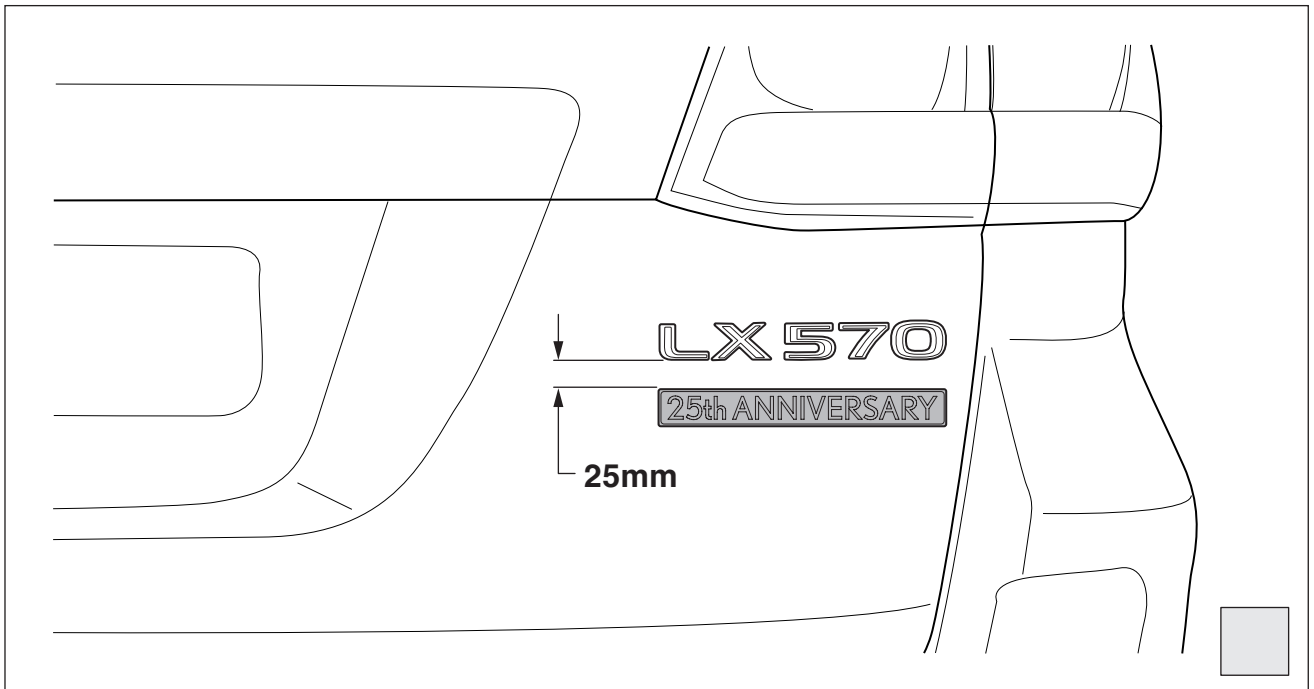
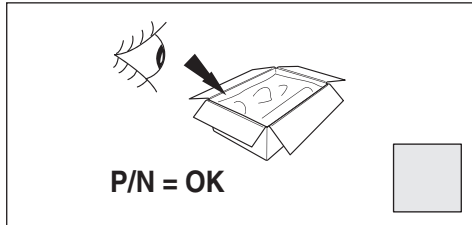
7

CHECK SHEET



Model / Year LX 570 2014/08 25th Anniversary badge

VIN n°



Installation Date:
. . / . . /

Technician Name & Signature:

Stamp: