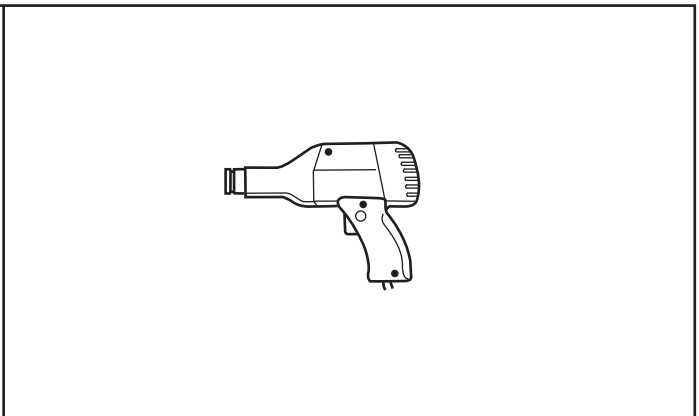
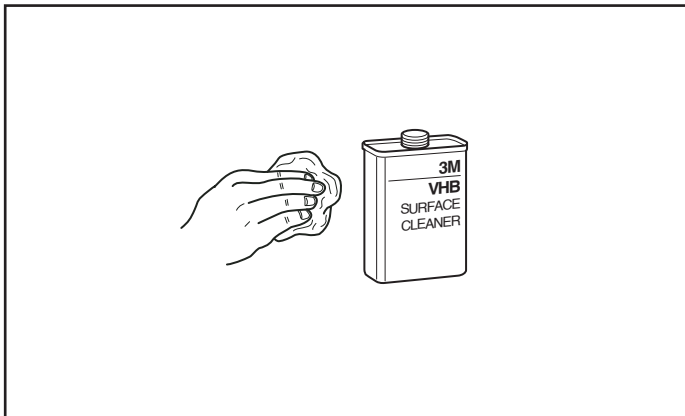
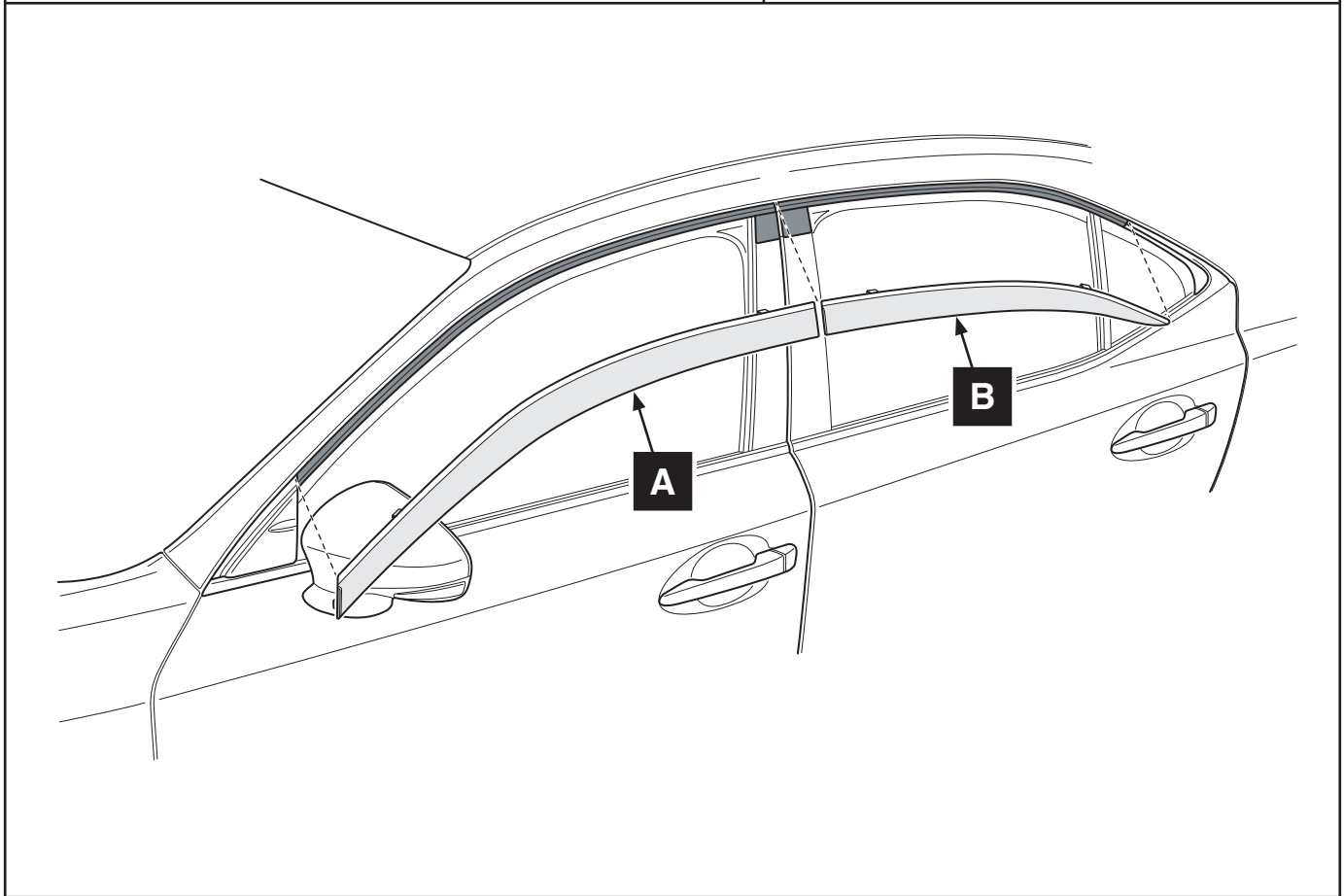
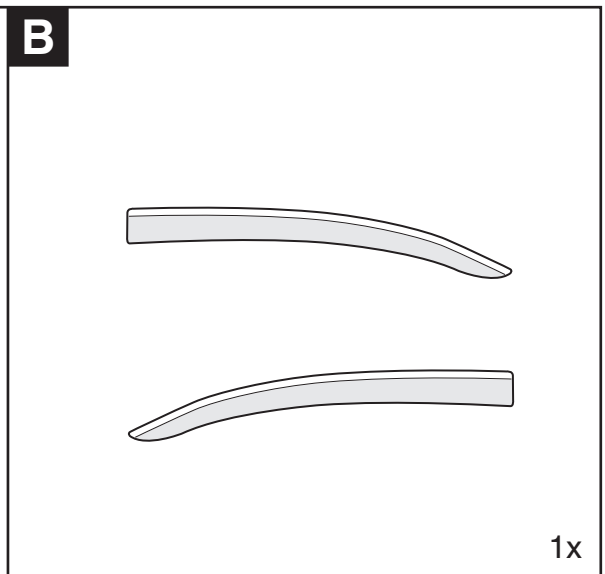
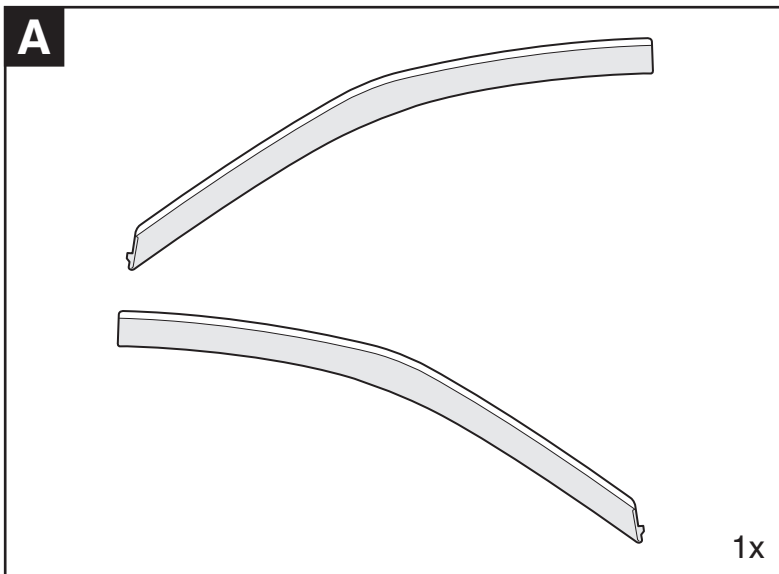


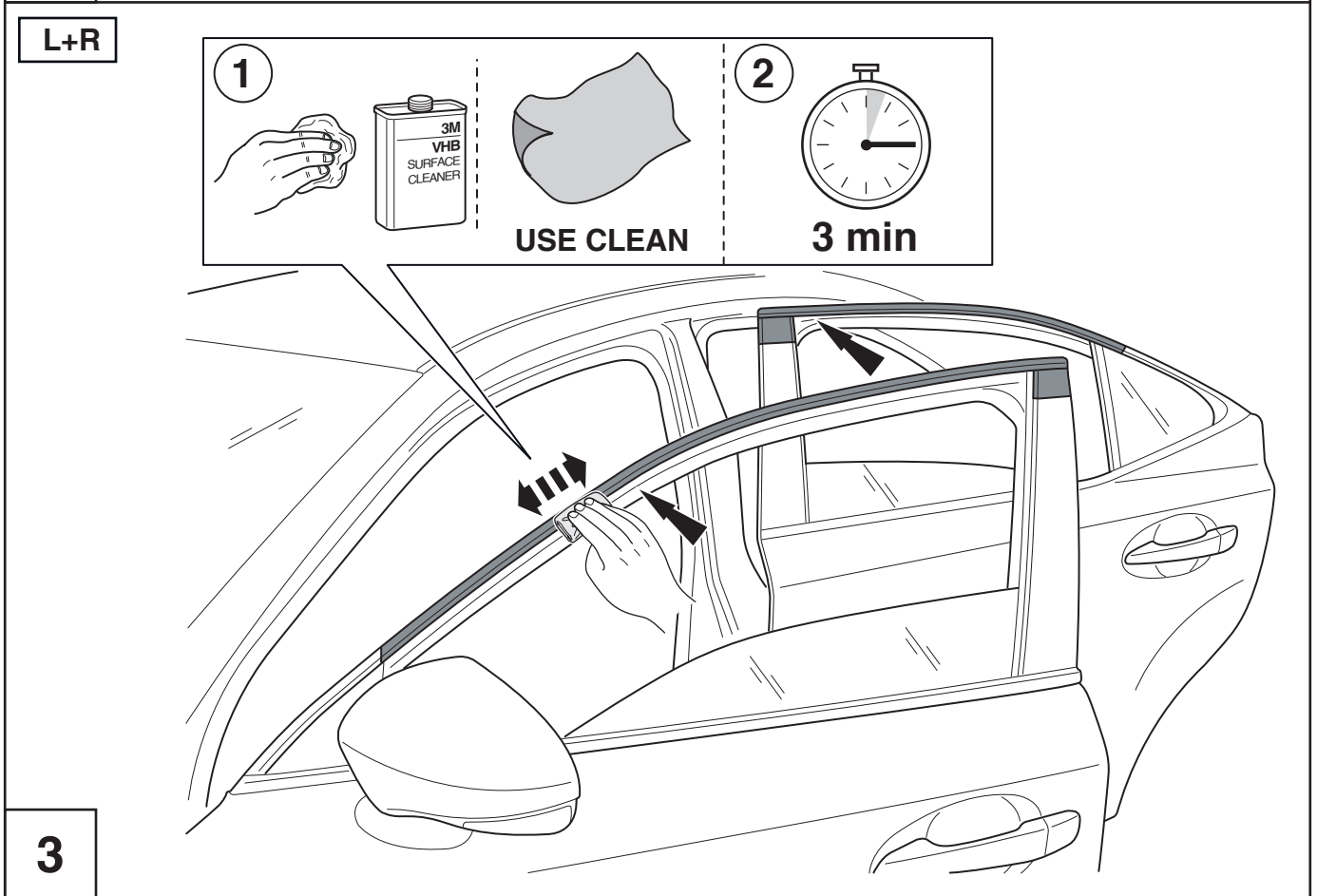
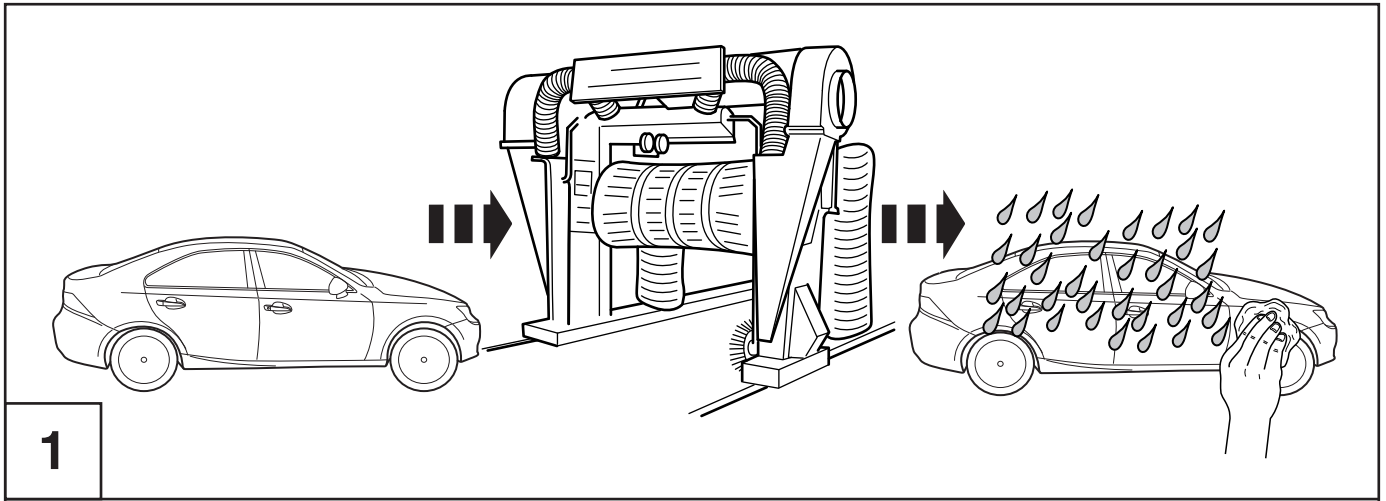
Wind Deflector INSTALLATION INSTRUCTIONS IS

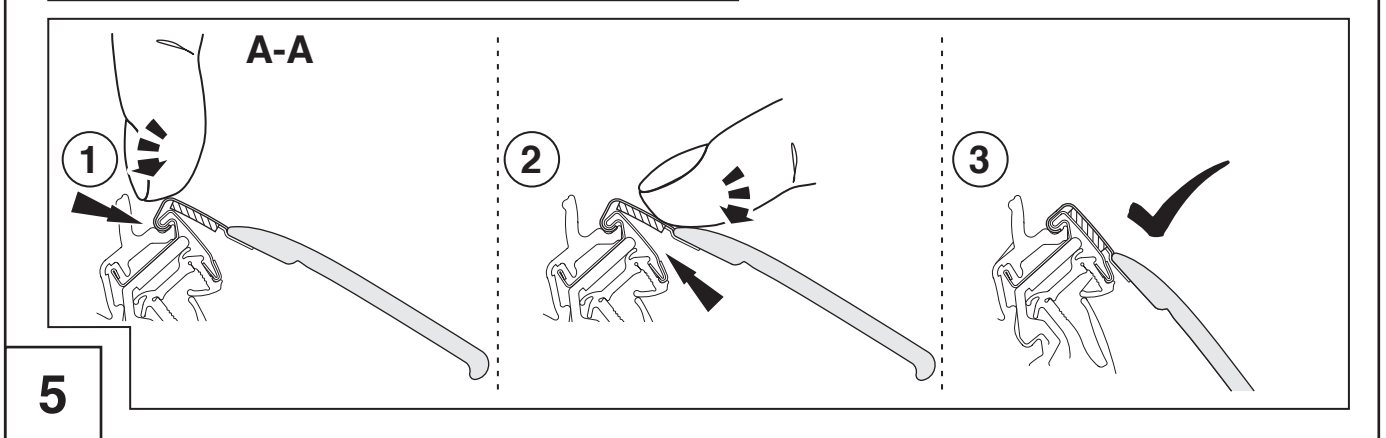
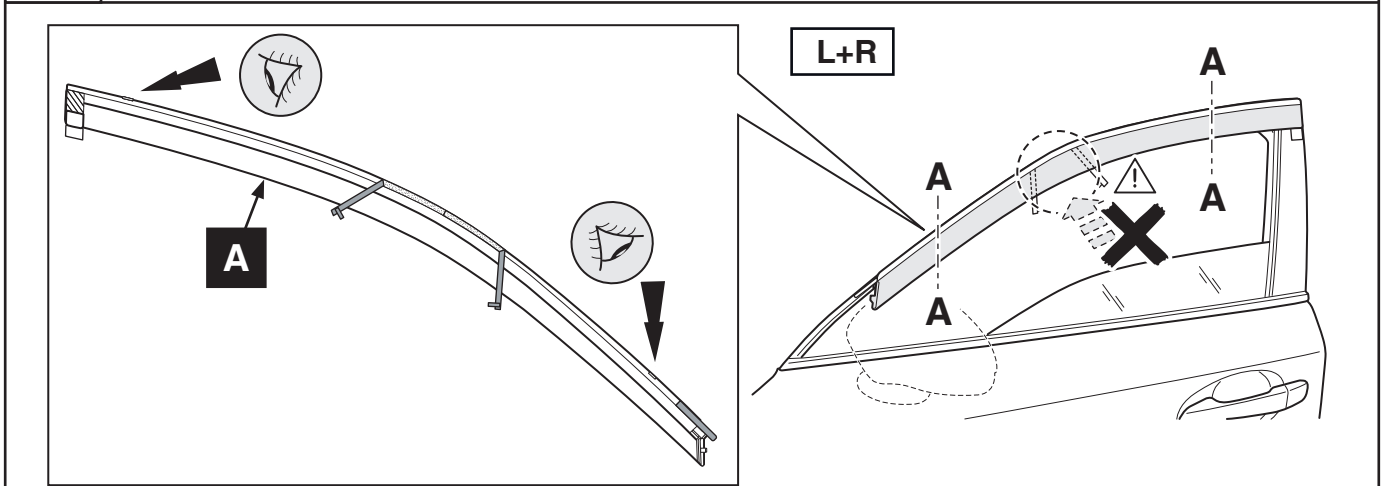
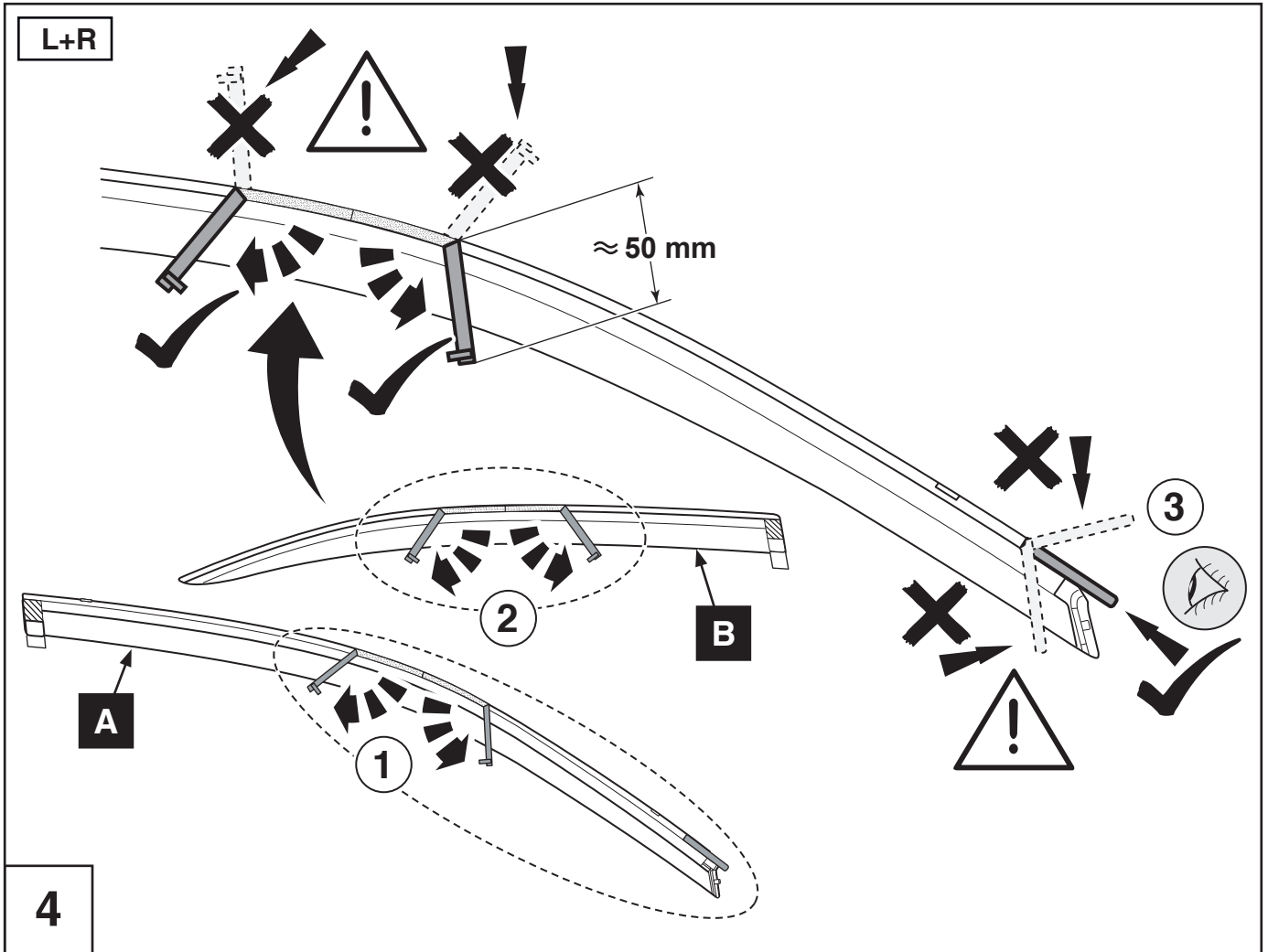
Model year	2013/04
Vehicle code	***E30*-AE*L*W
Part number	08611-53820

Revision Record

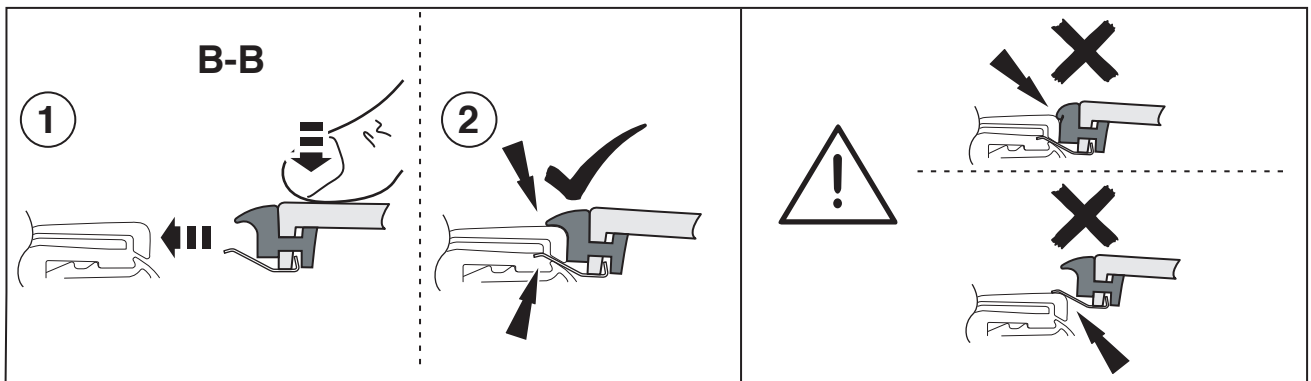
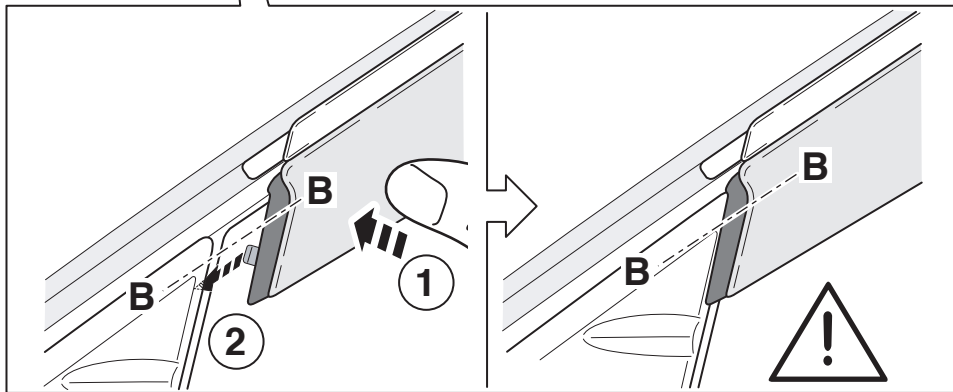
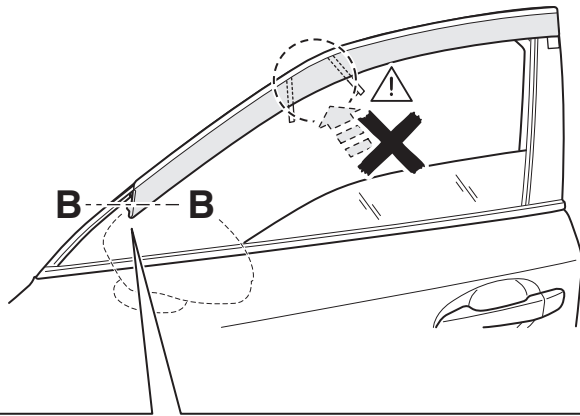
Rev. No.	Date	Page	Picture	Update	New	Deleted





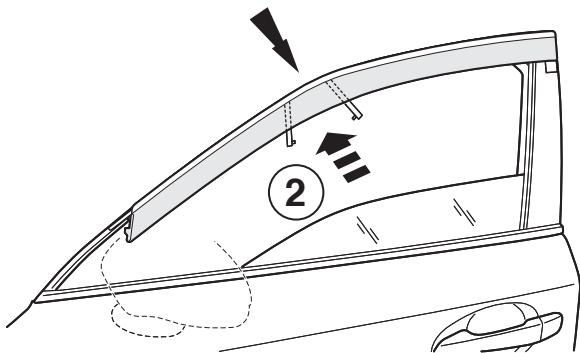
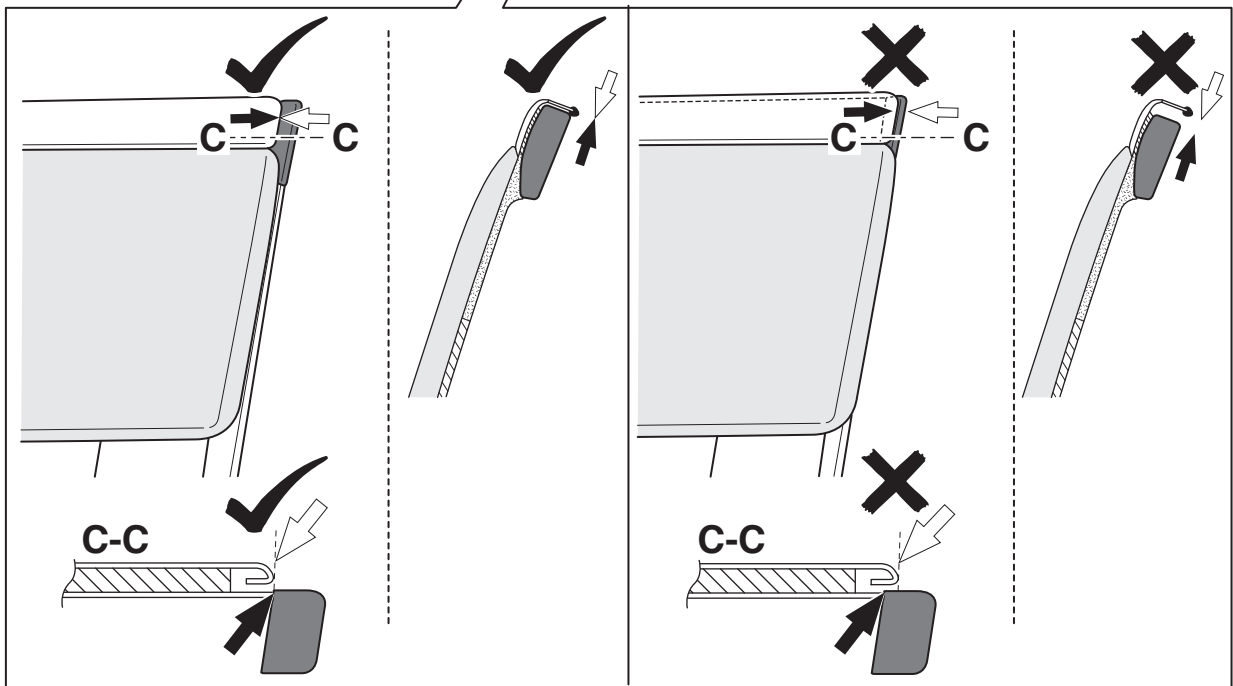
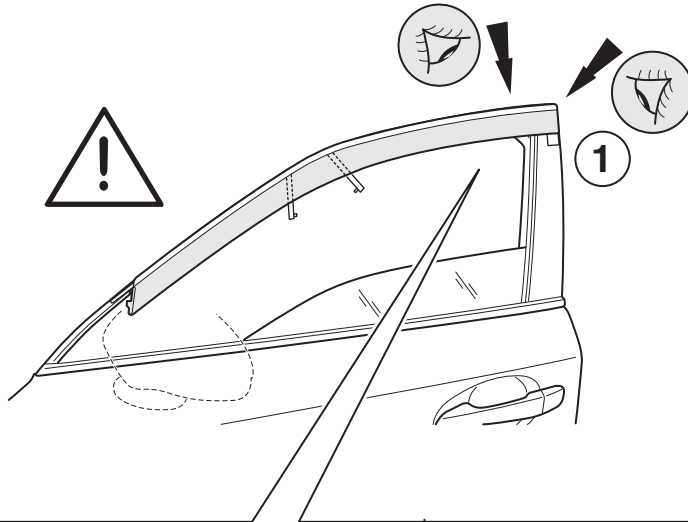


L+R



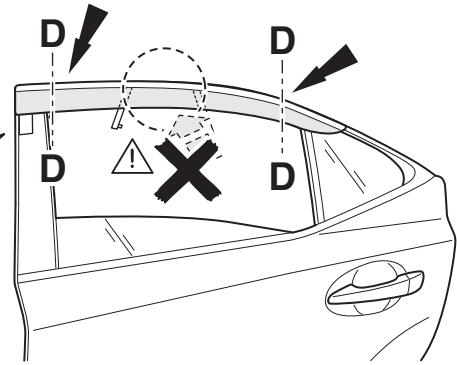
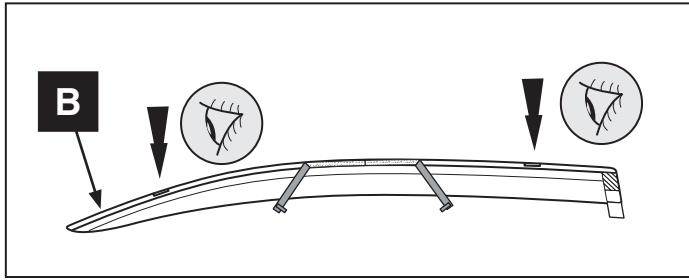
6

L+R



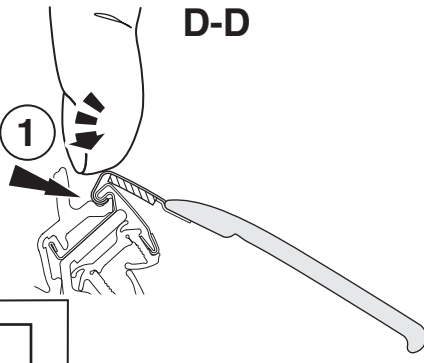
7

L+R

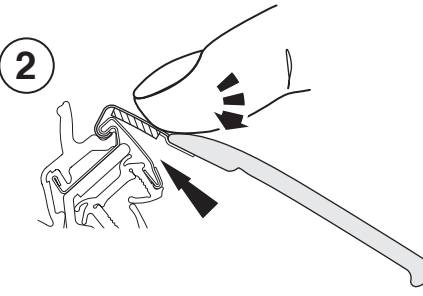


D-D

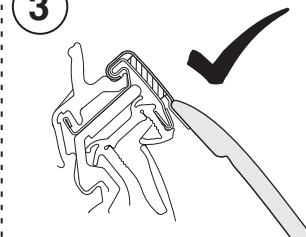
1



2

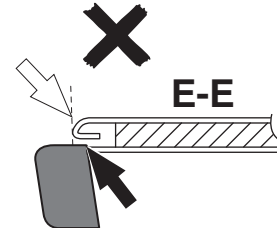
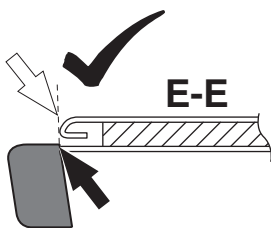
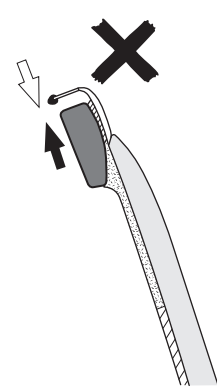
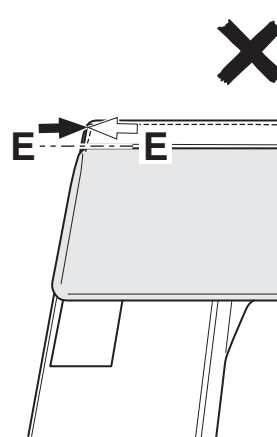
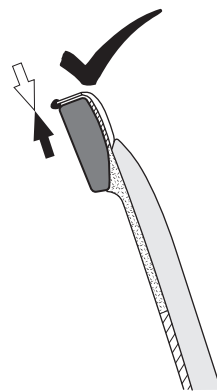
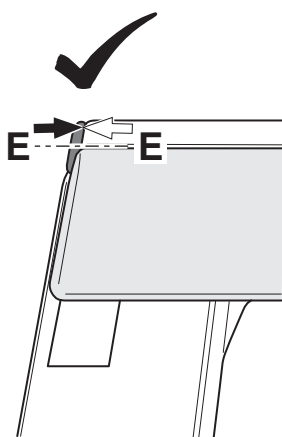
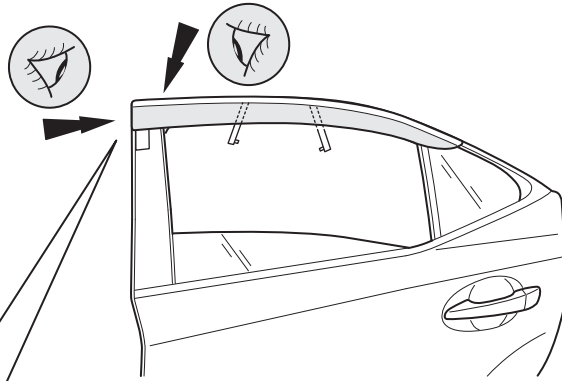


3



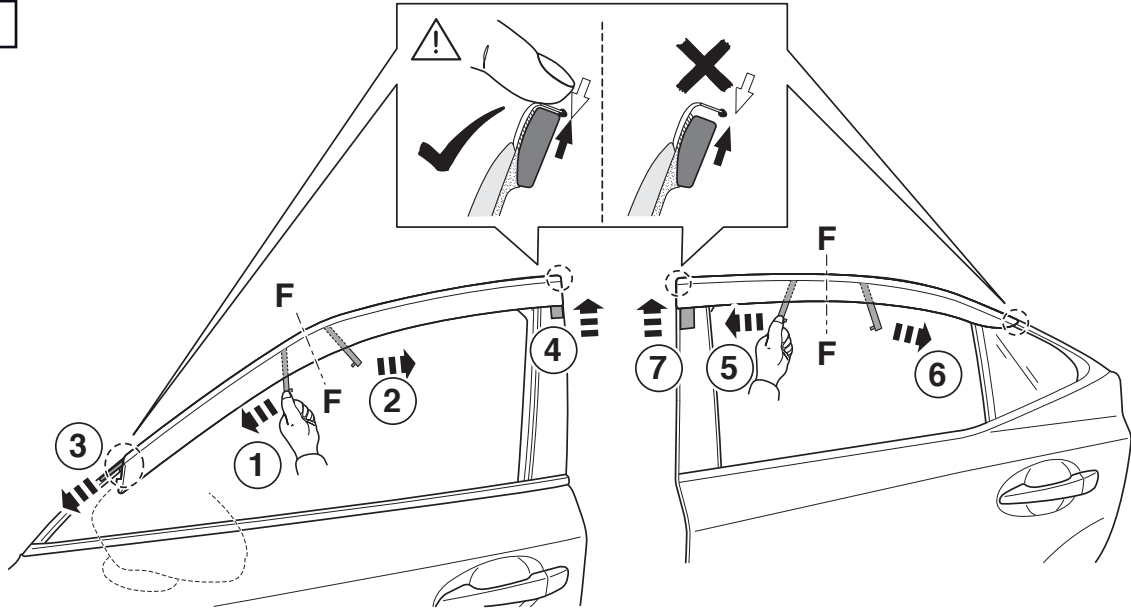
8

L+R

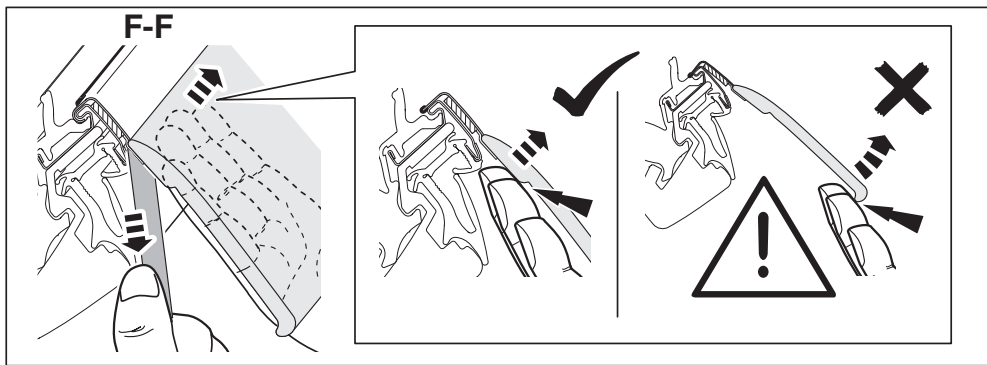


9

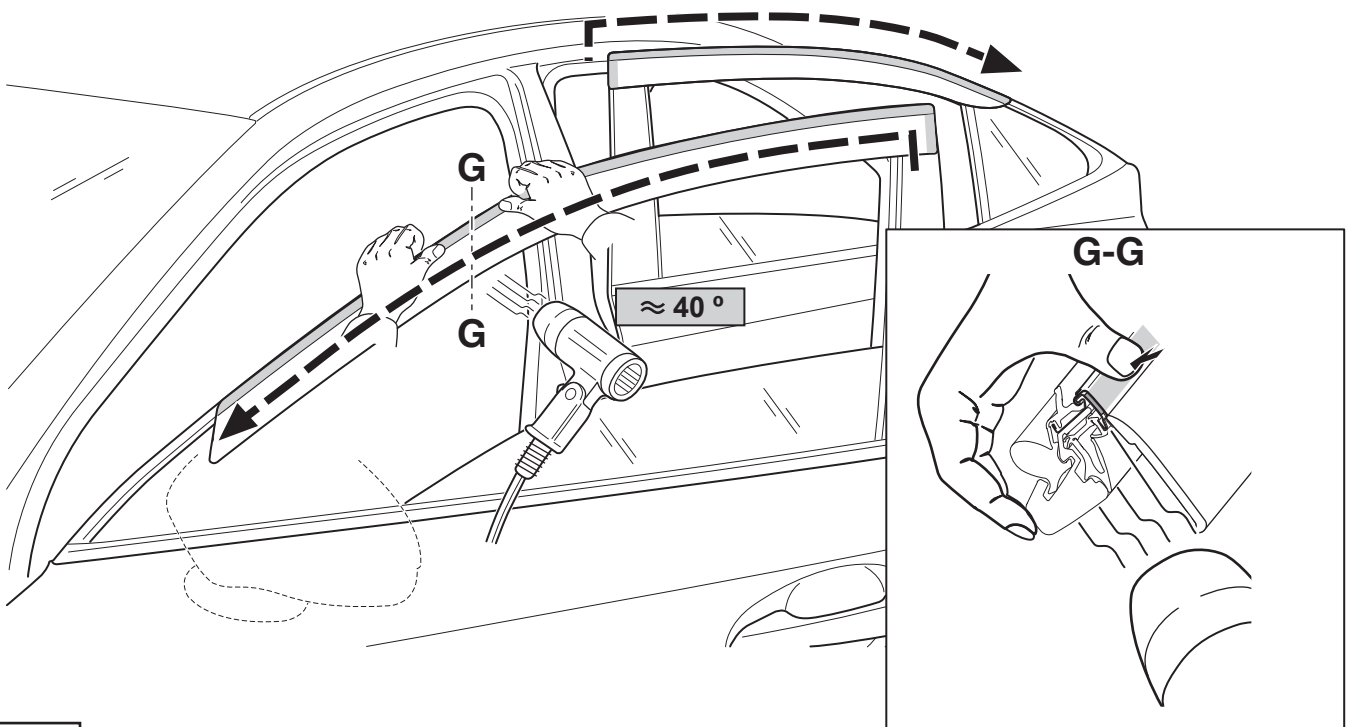
L+R



10



L+R

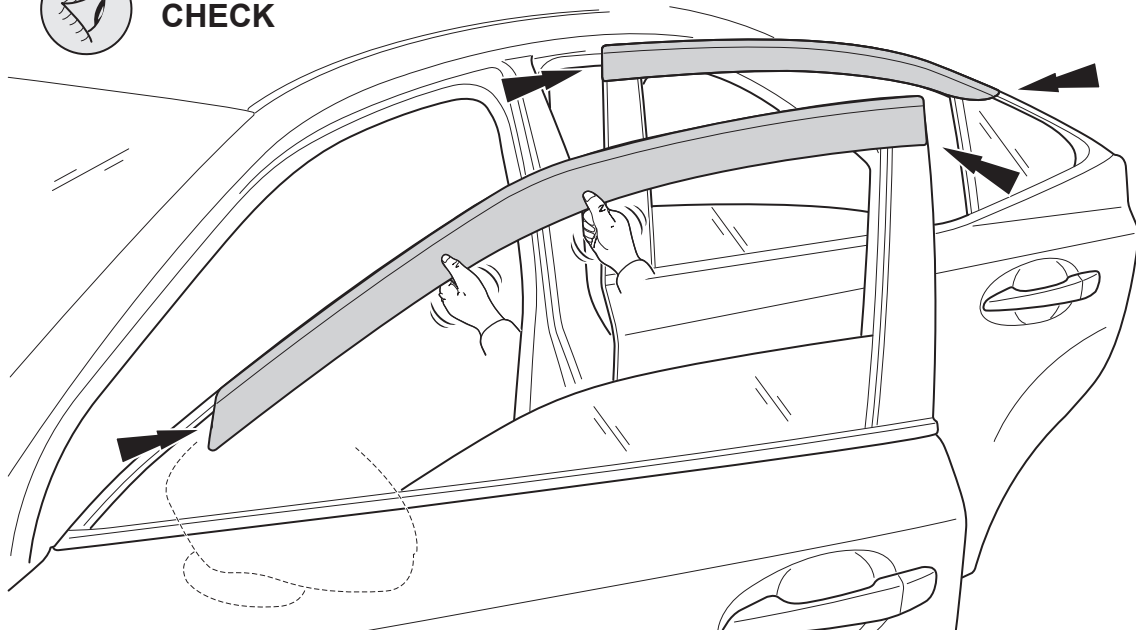


11

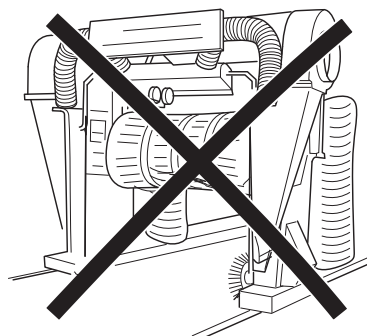
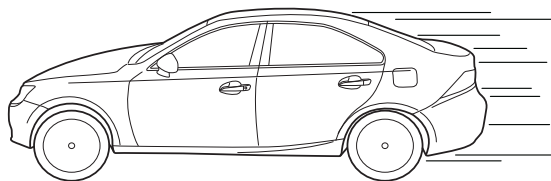
L+R



CHECK



12



13


CHECK SHEET

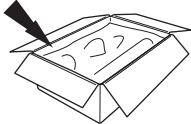



Model / Year IS 2013/04


Wind Deflector


VIN n°



 **P/N = OK**





40°C 

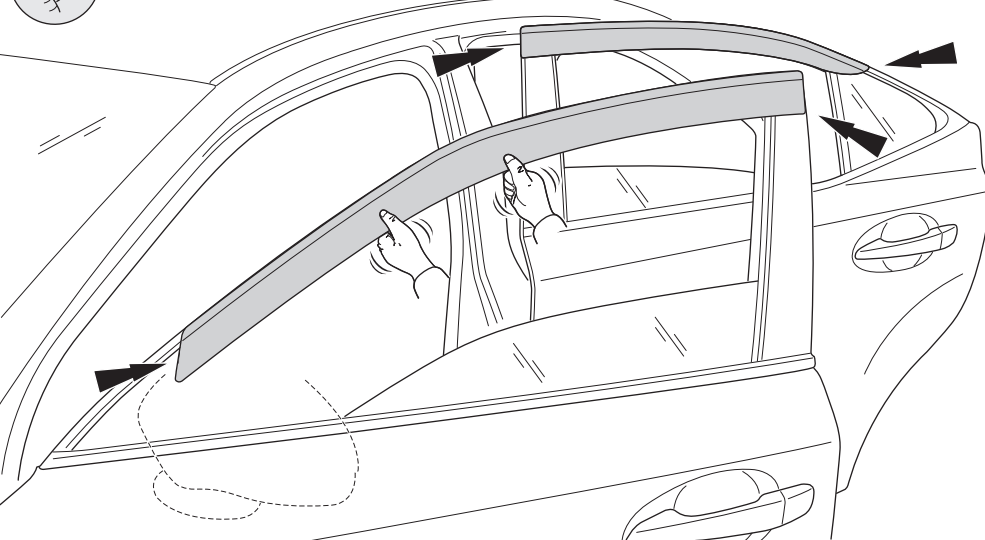
18°C 

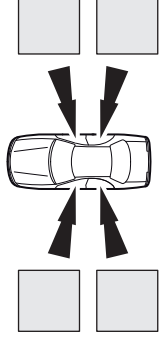


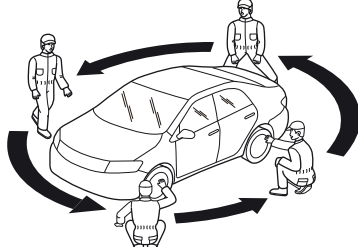
 

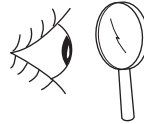


 **CHECK**







 = OK

Installation Date:

. . / . . /

Technician Name & Signature:

Stamp: