

Mud Flaps Front & Rear

INSTALLATION INSTRUCTIONS

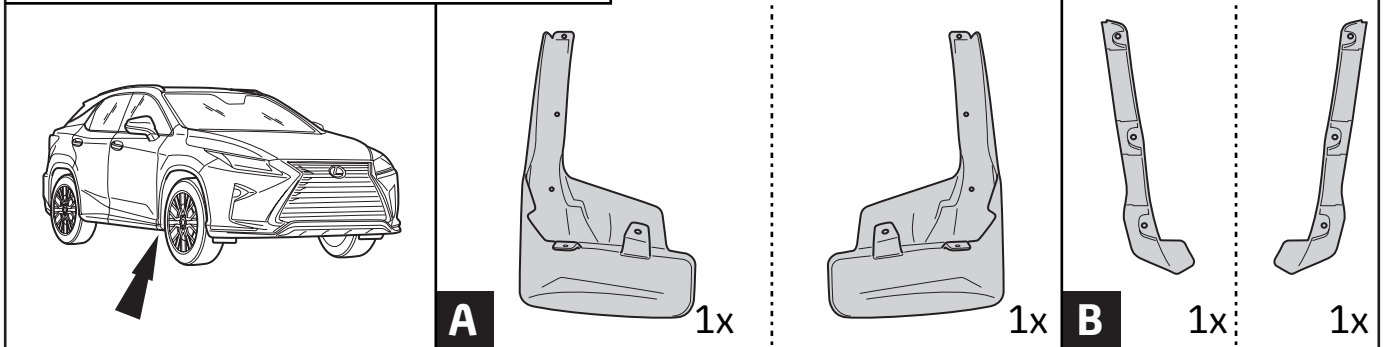
RX

Model year	2015/09
Vehicle code	**L2**-AW***W
Part number	PU060-4801E-P1 - Full set front & rear mud flaps PU060-4801E-F1 - Full set front mud flaps PU060-4801E-R1 - Full set rear mud flaps

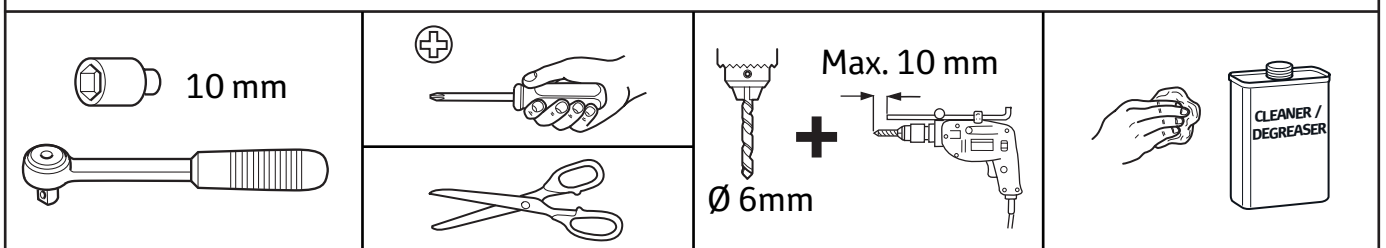
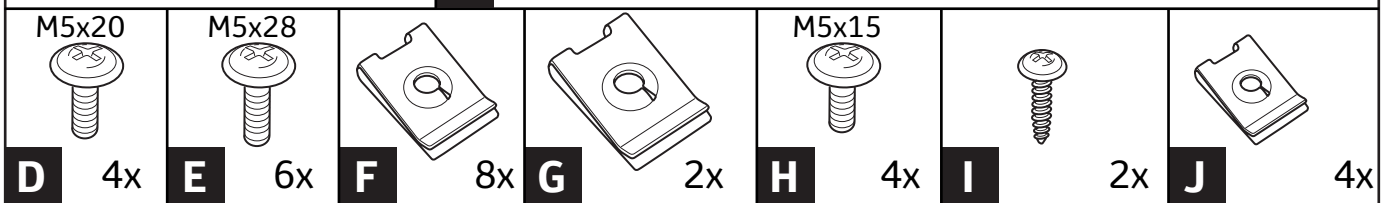
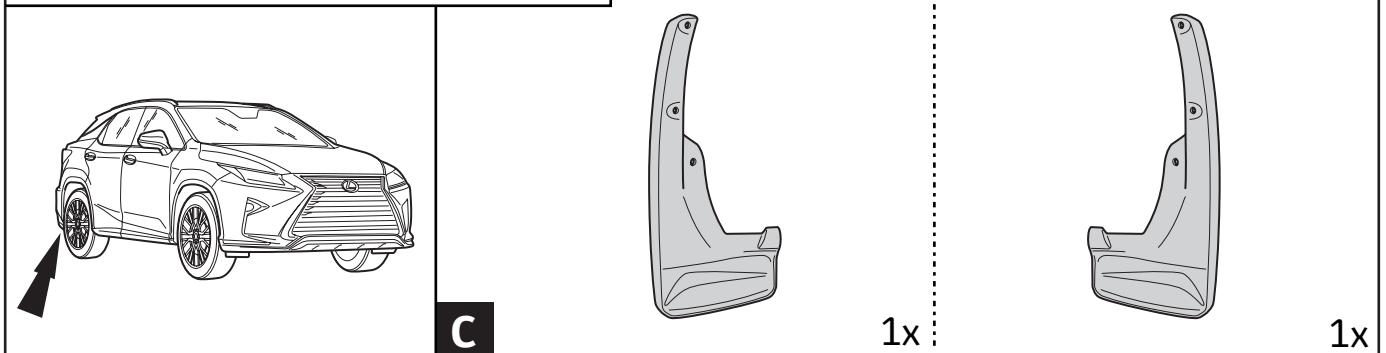
Revision Record

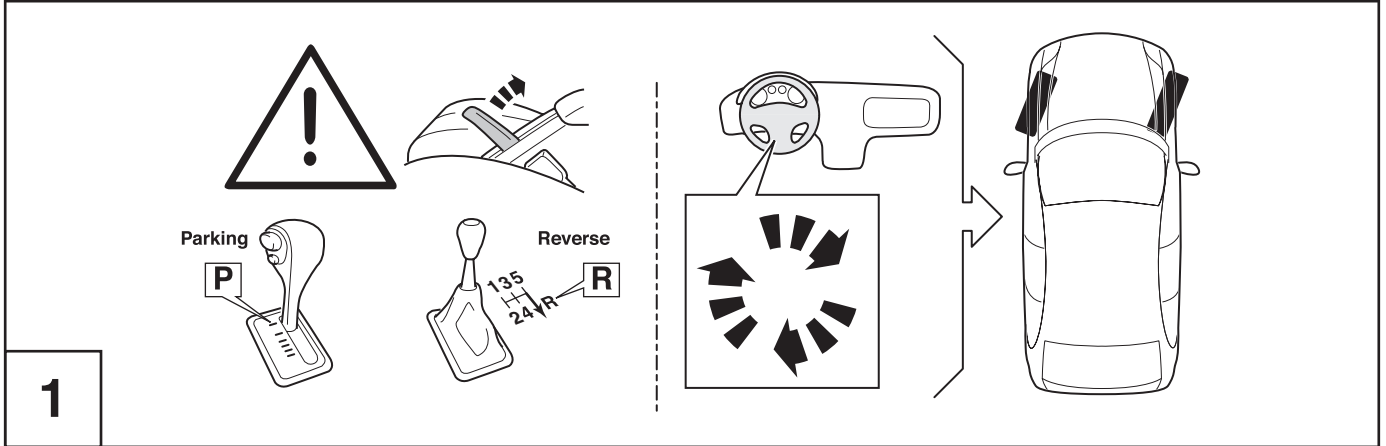
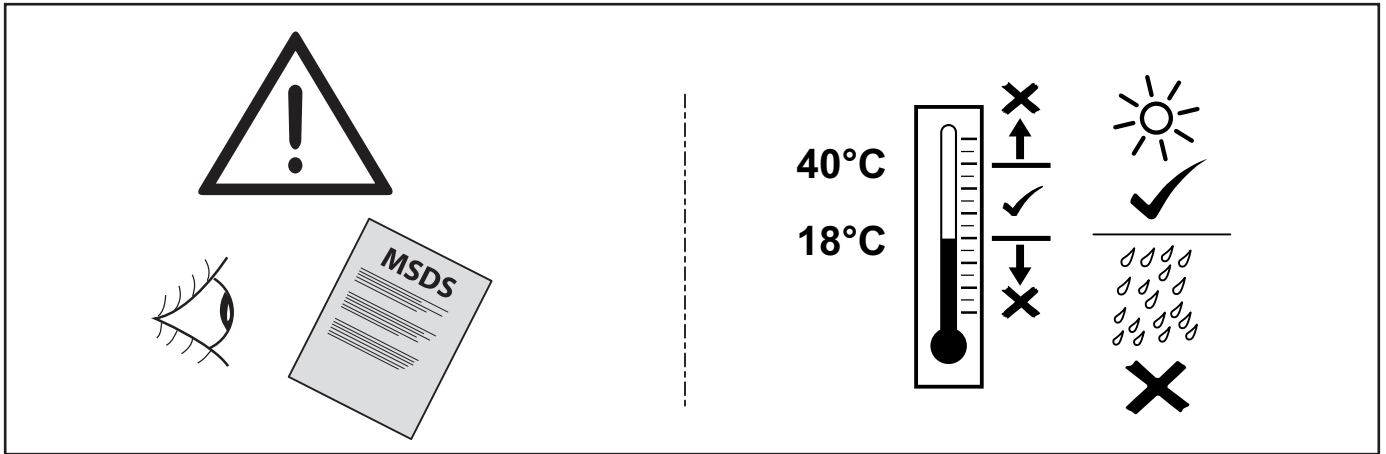
Rev. No.	Date	Page	Picture	Update	New	Deleted
1	09-12-15	1, 2		Part No.		

PU060-4801E-F1 (Front set mud flaps)

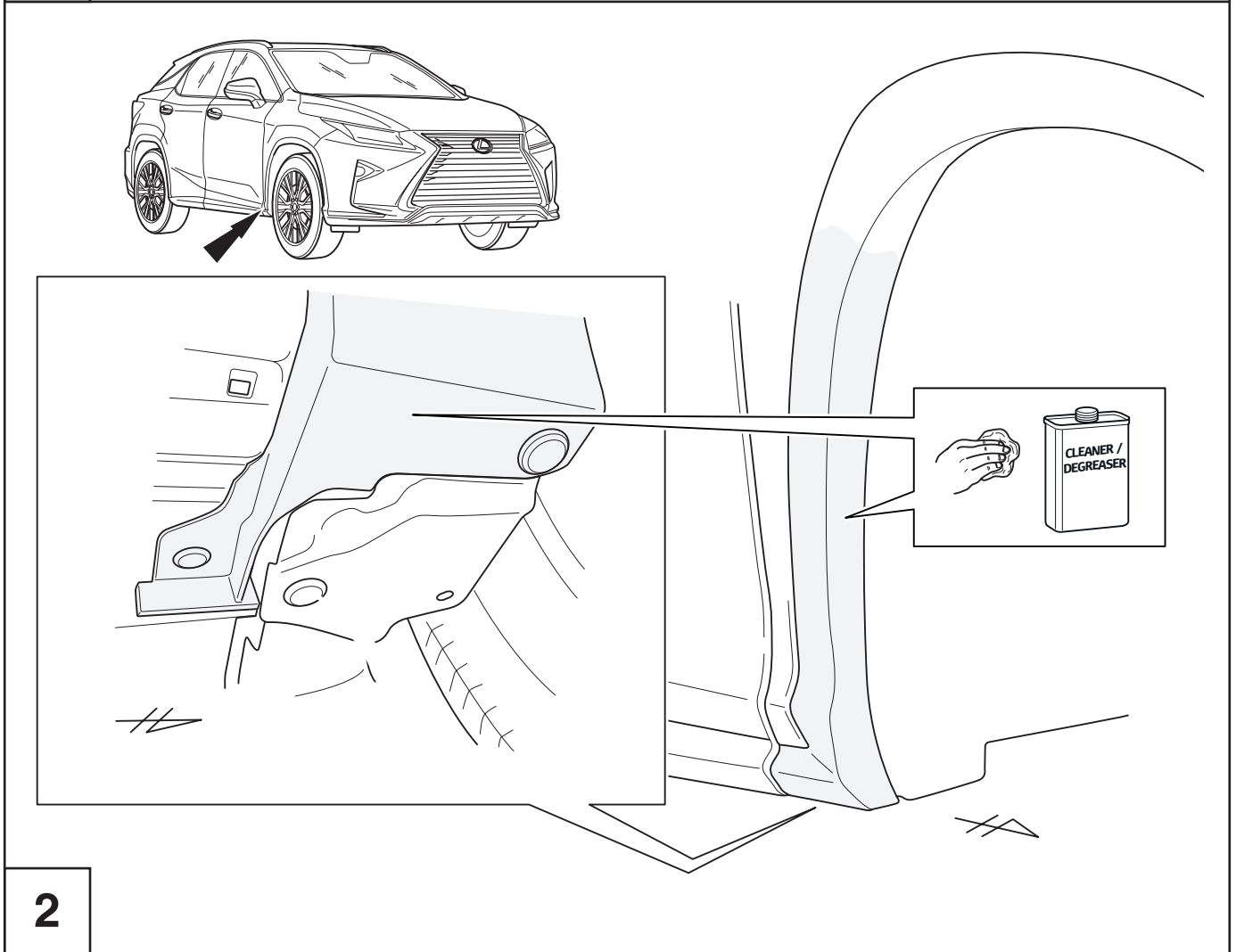


PU060-4801E-R1 (Rear set mud flaps)

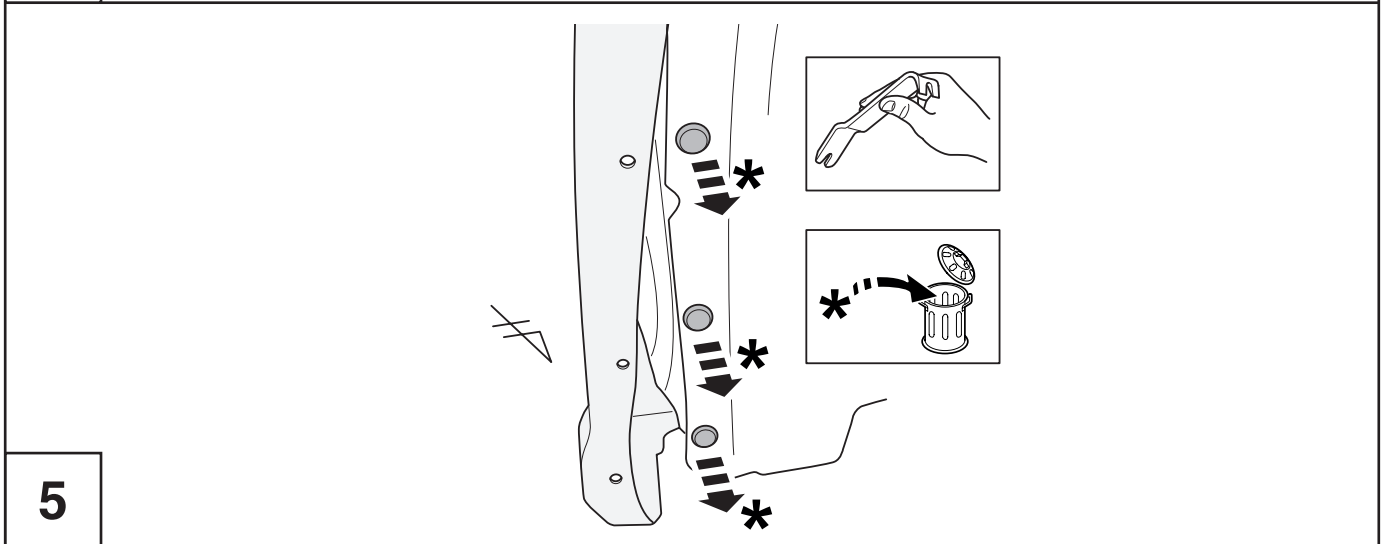
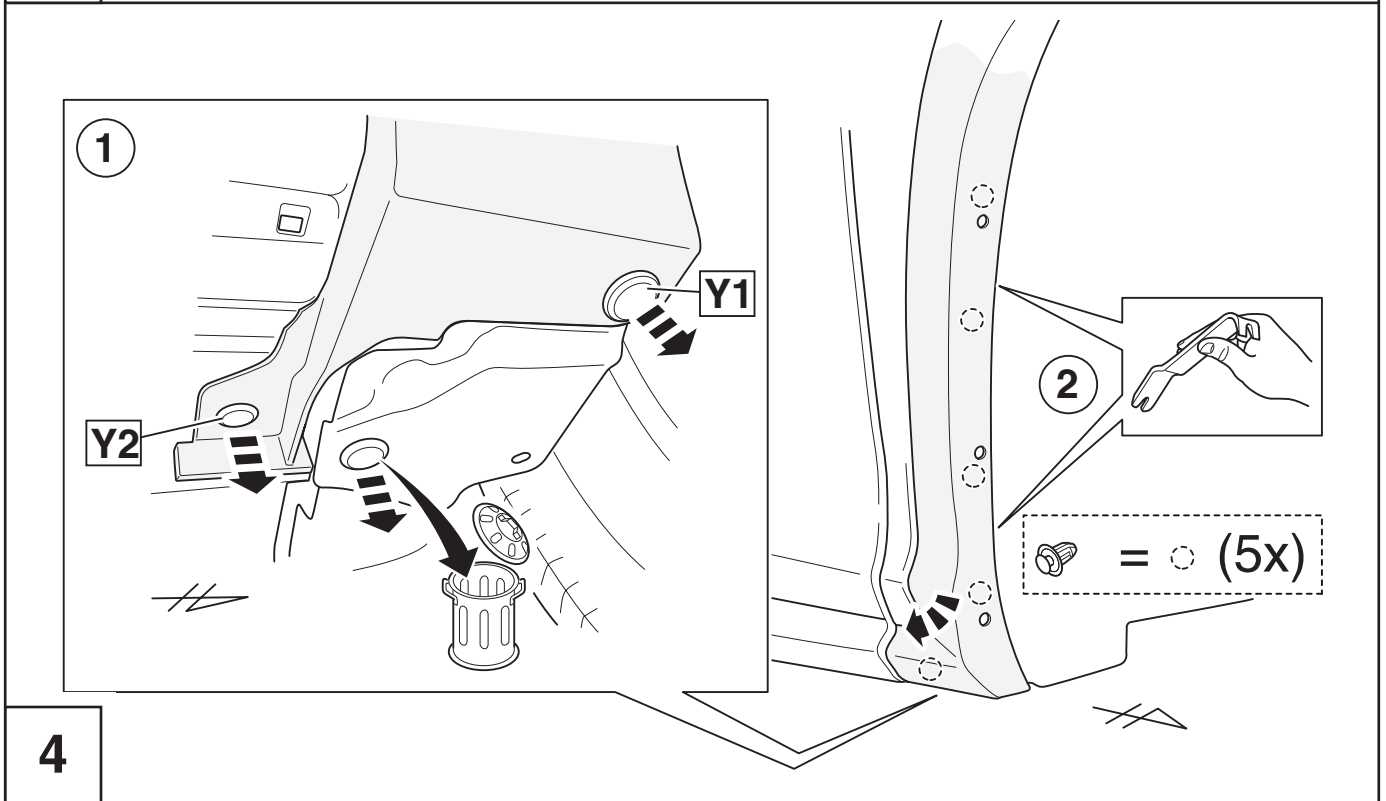
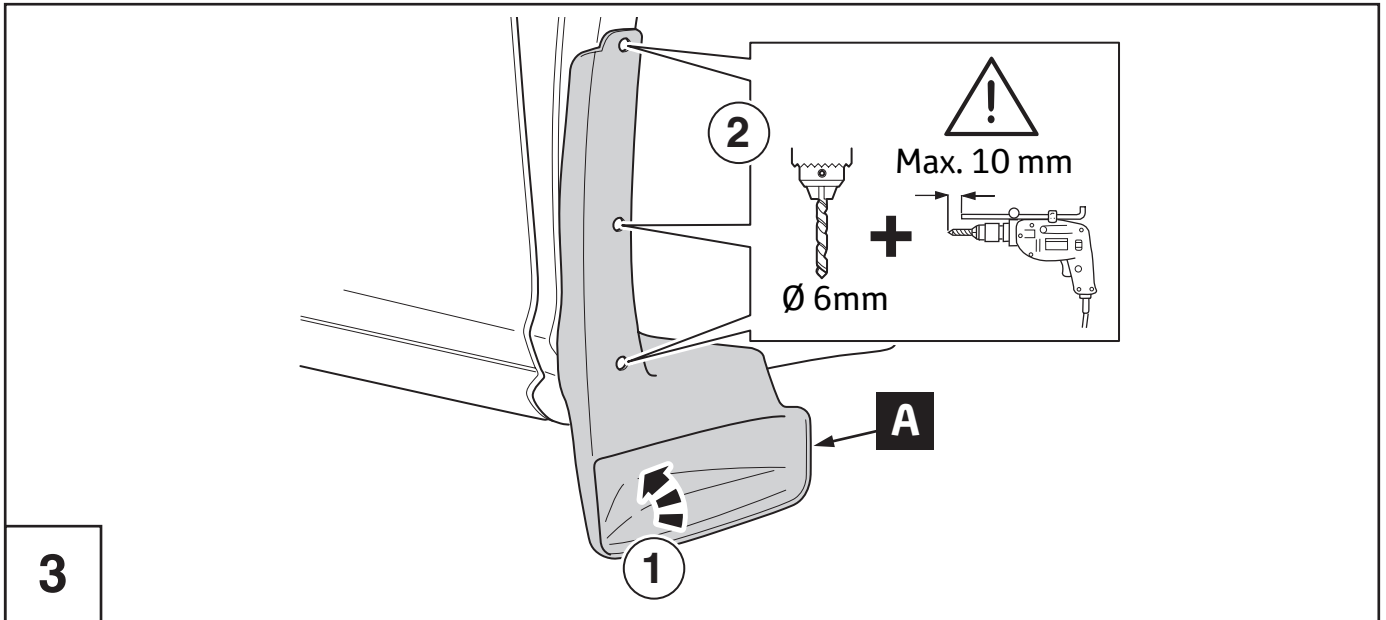


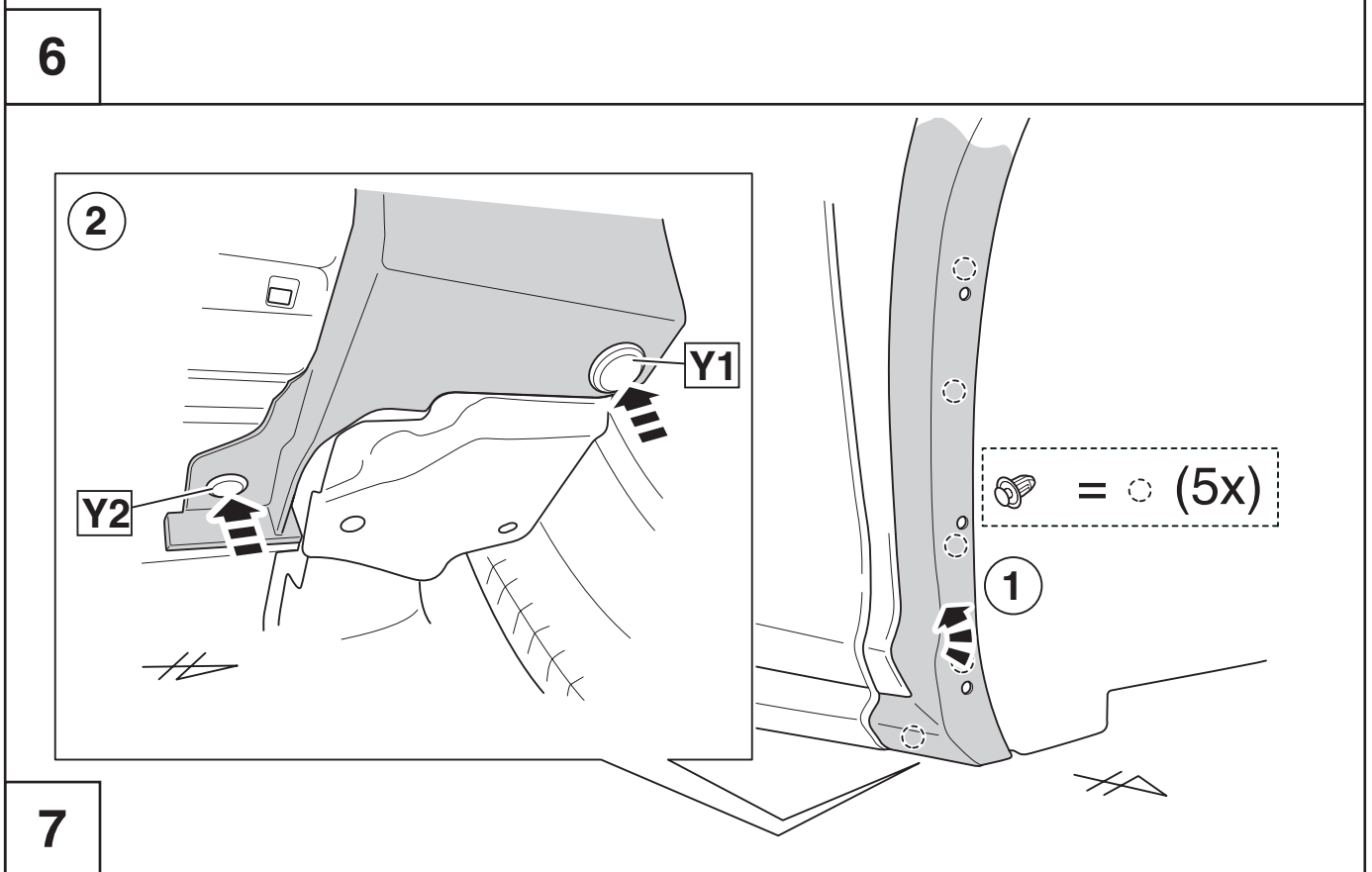
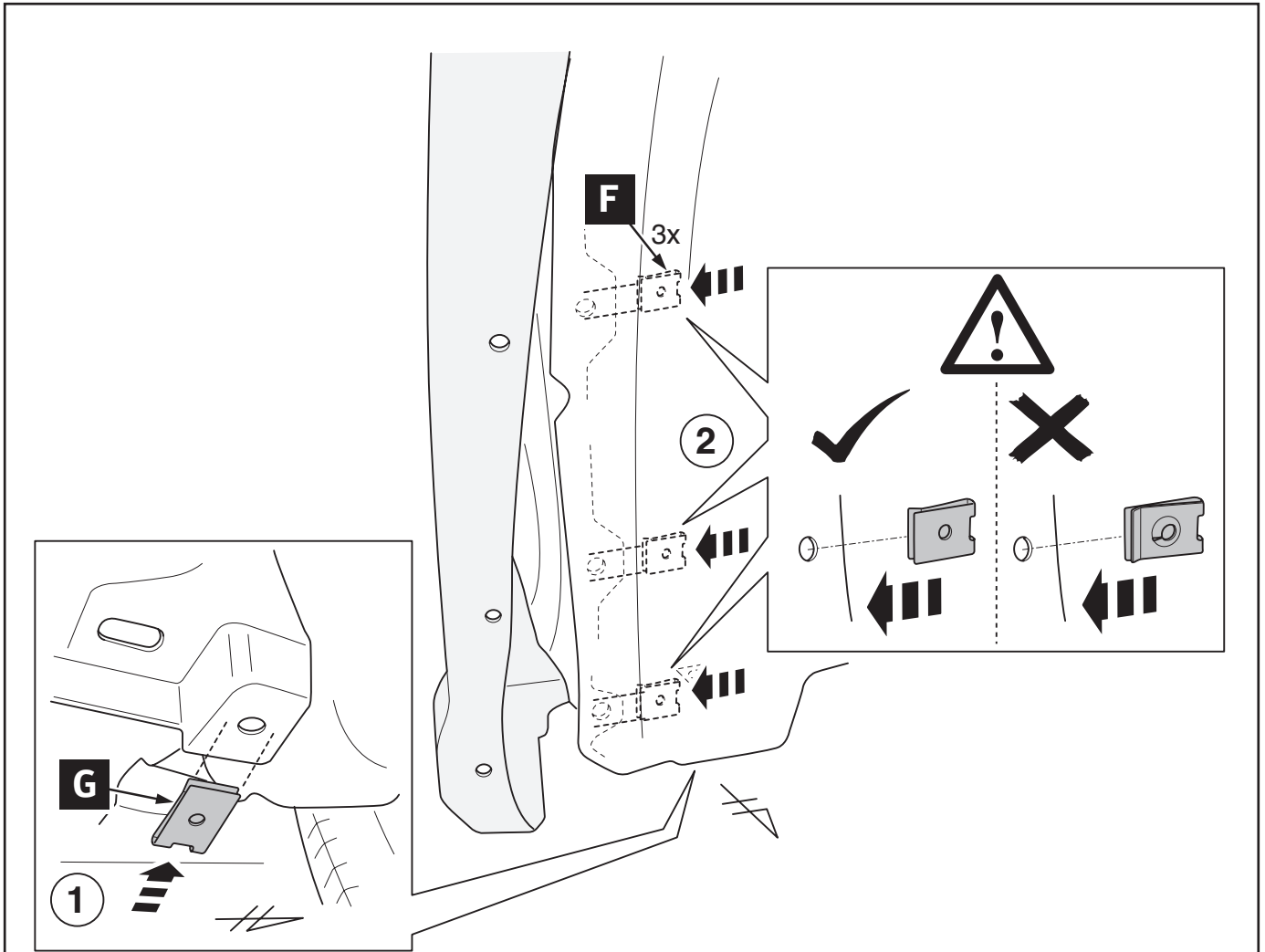


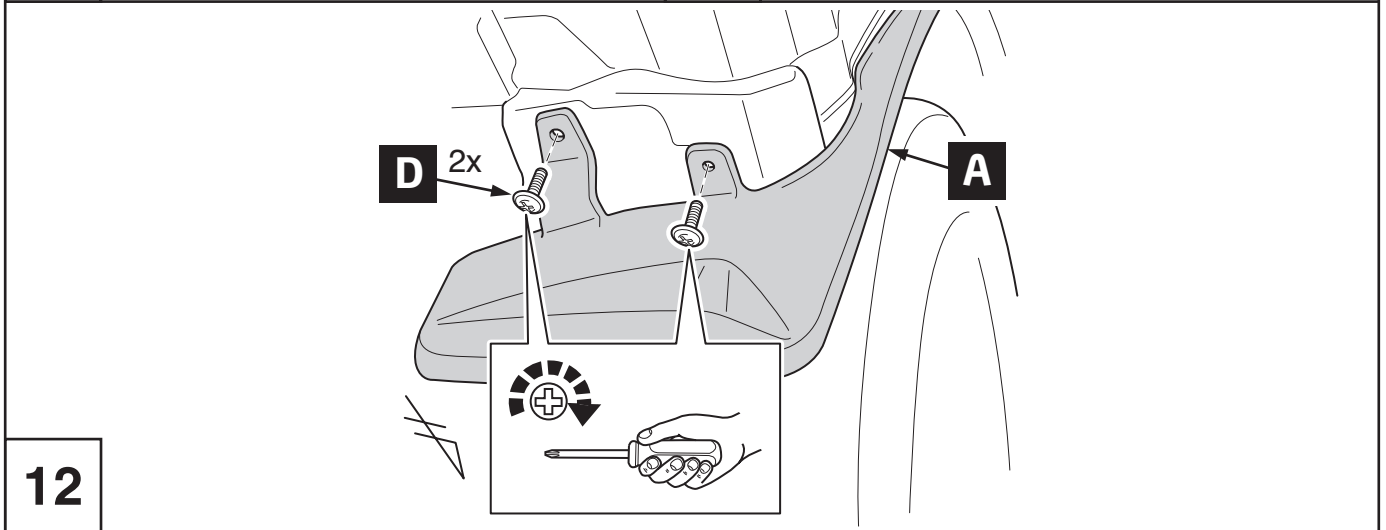
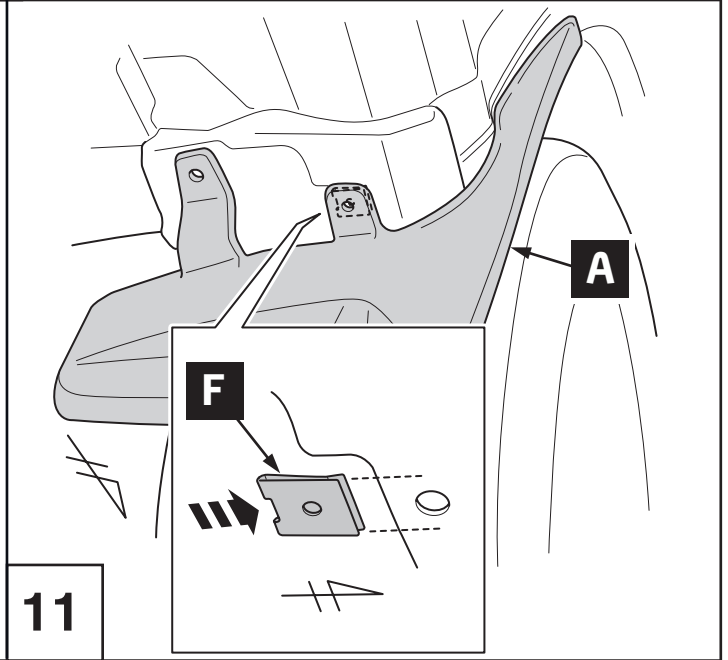
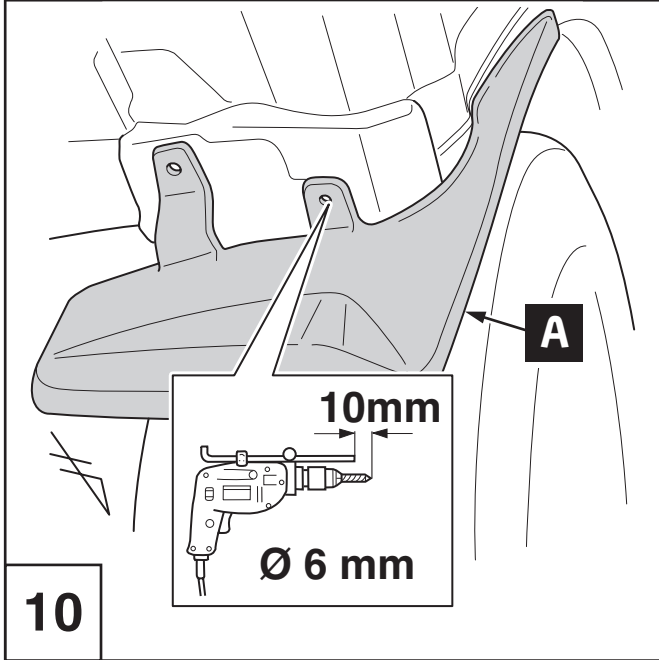
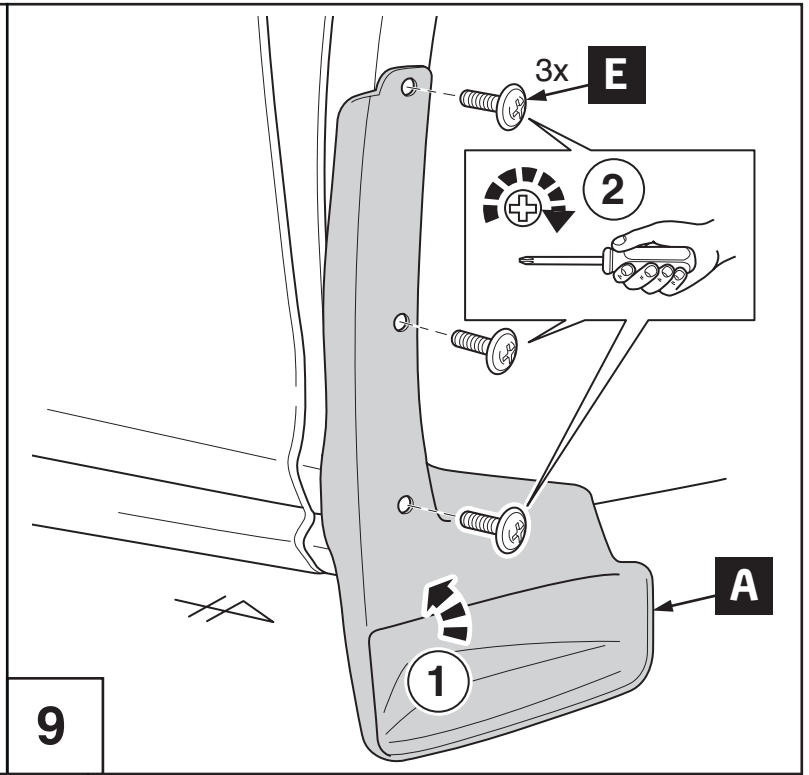
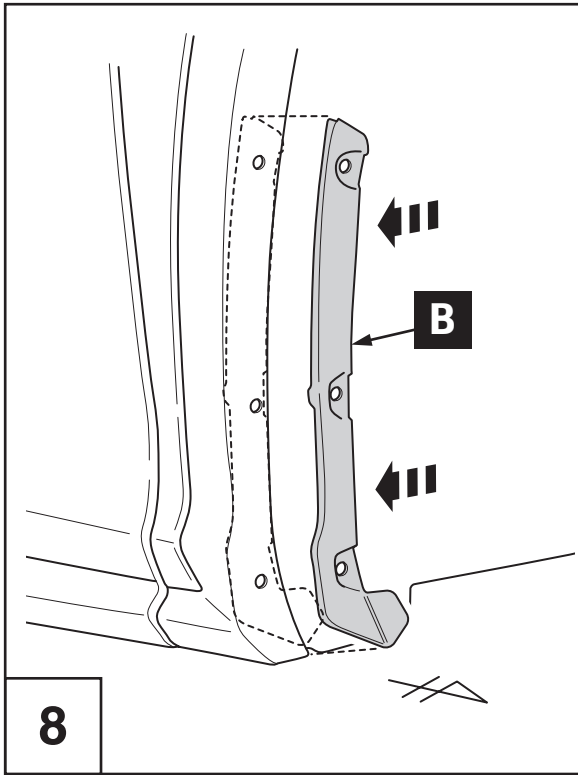
1

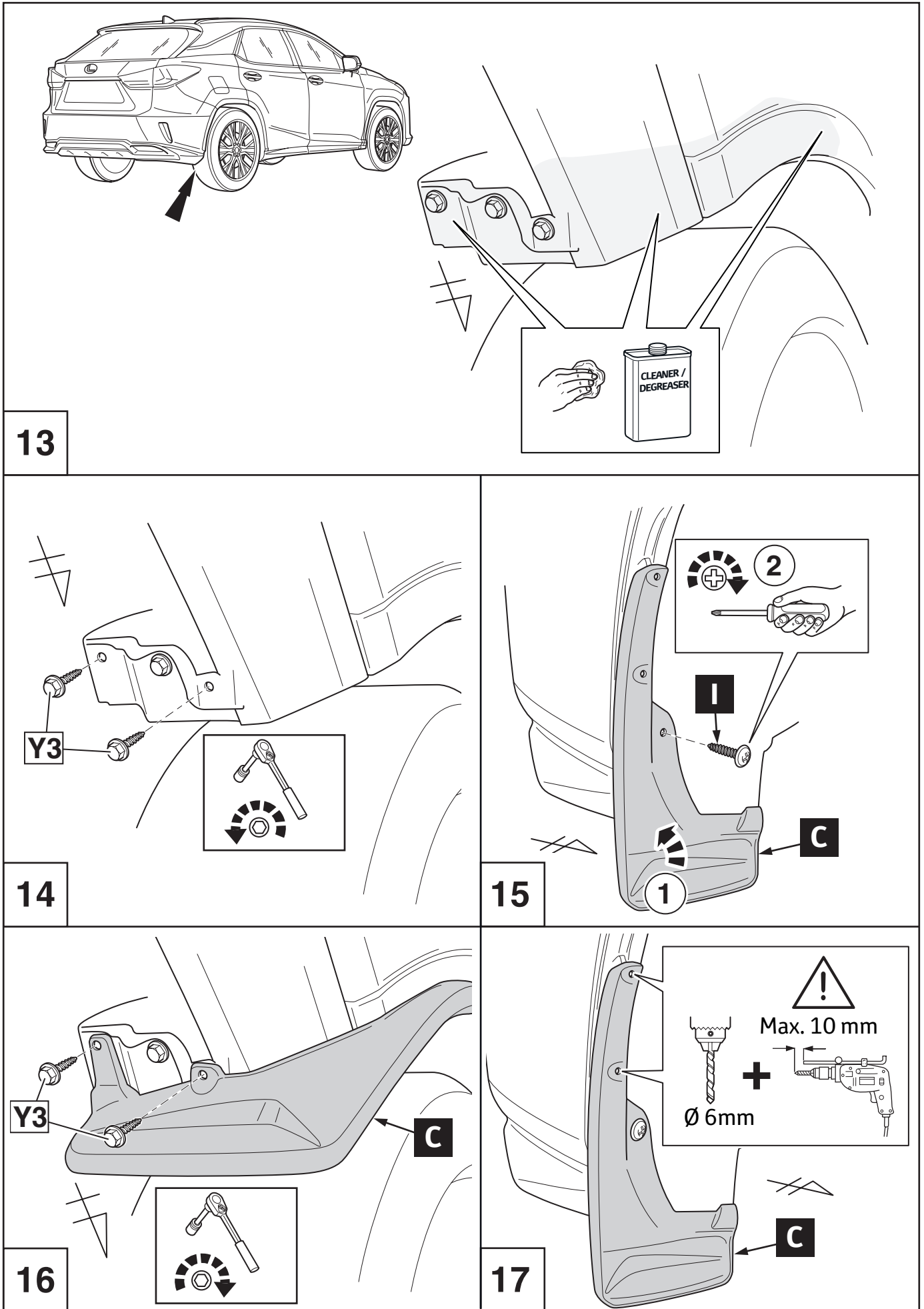


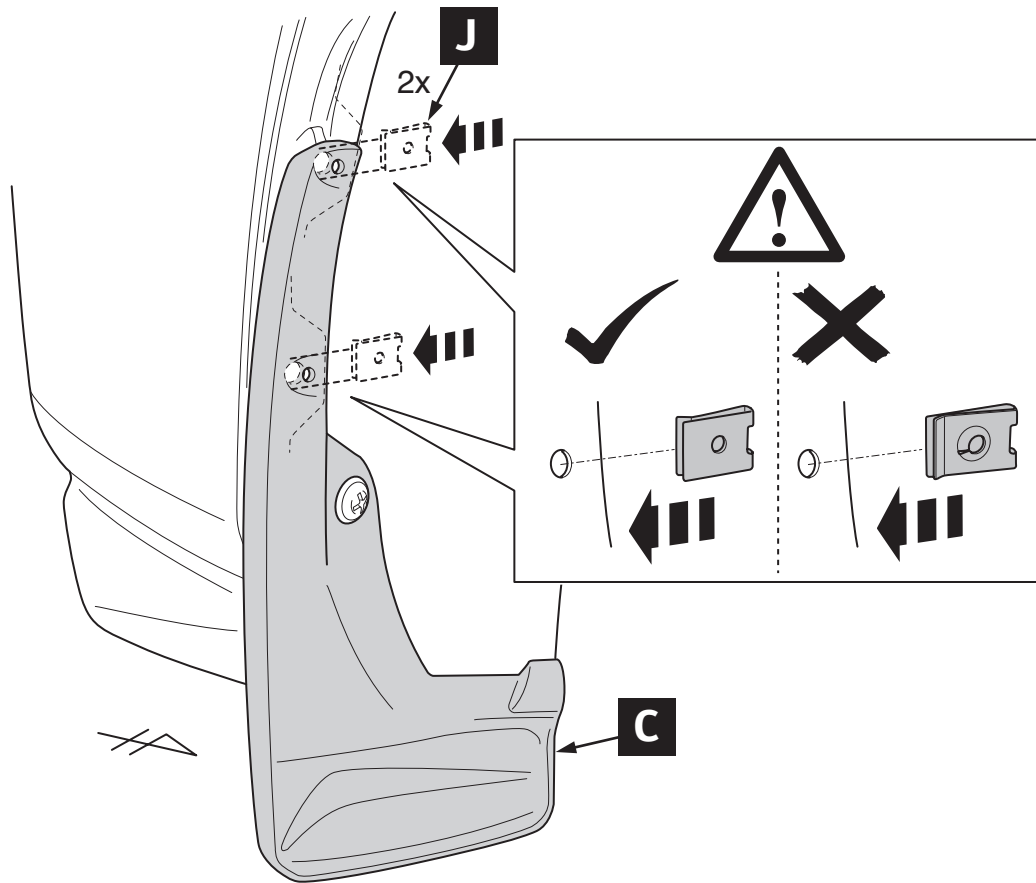
2



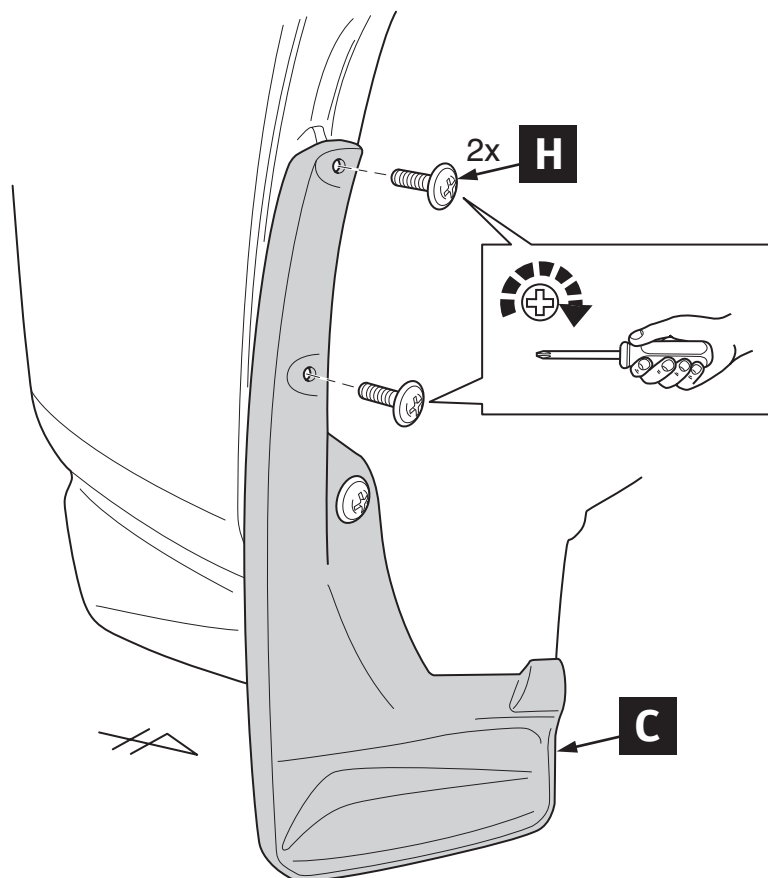








18




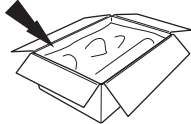
19


Model / Year **RX 2015/09**

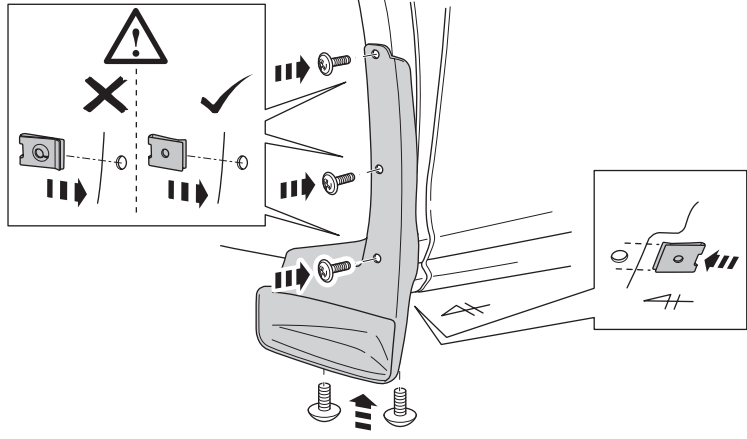
**Mudflaps - Front
& Rear**

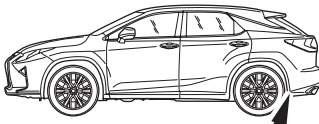
VIN n°

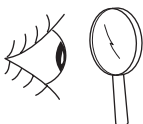
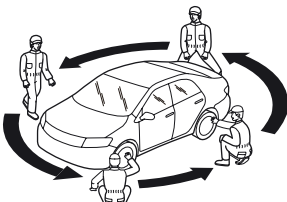
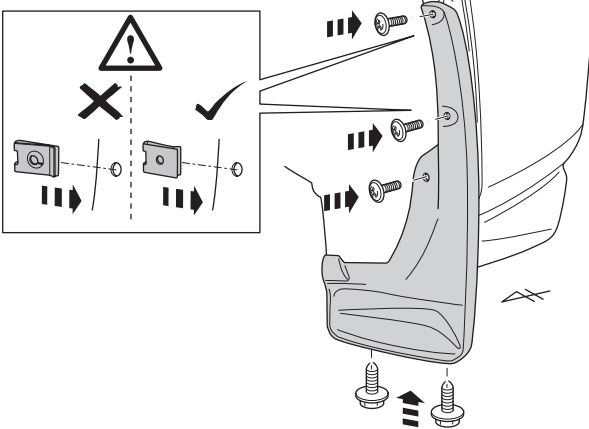
 **P/N = OK**




LH = RH




LH = RH

 **= OK**

Installation Date:

. . / . . /

Technician Name & Signature:

Stamp: