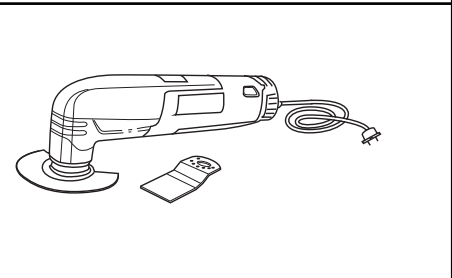
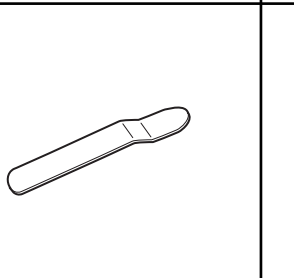
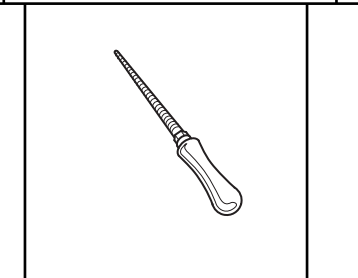
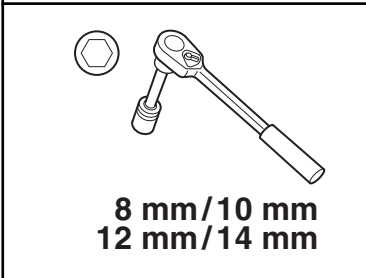
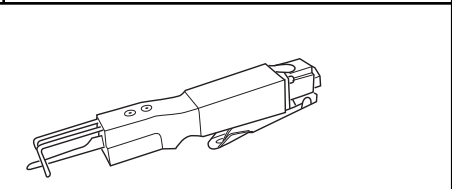
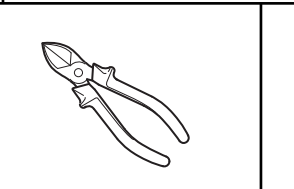
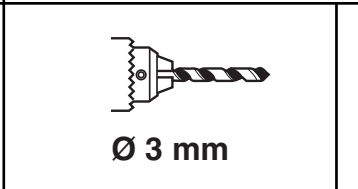
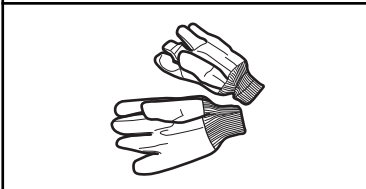
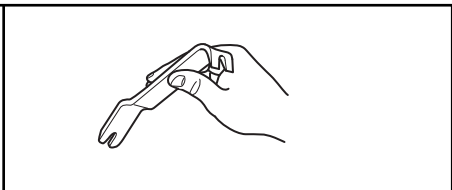
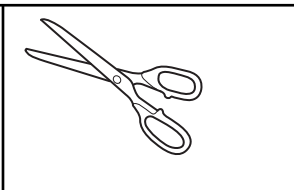
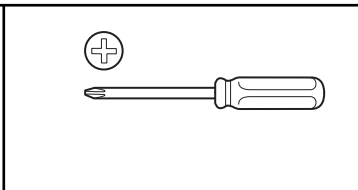
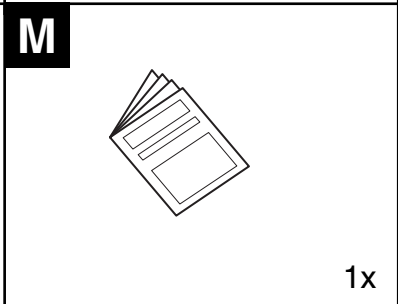
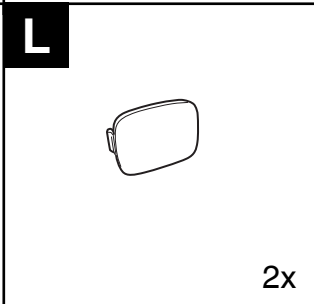
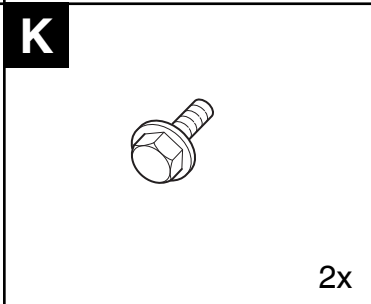
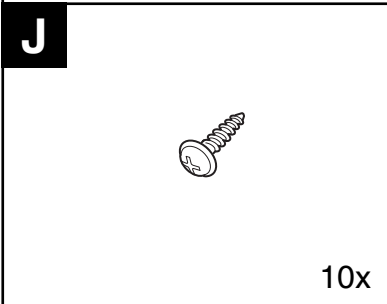
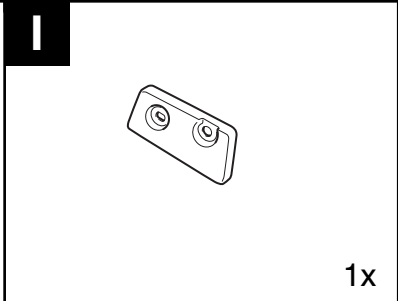
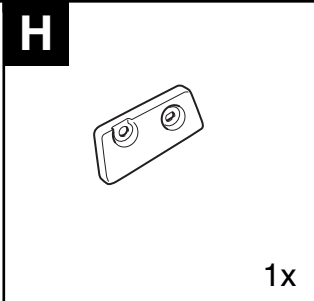
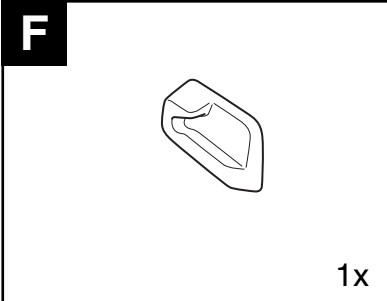
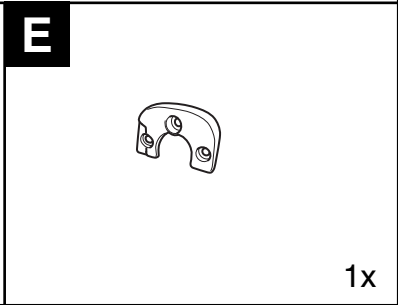
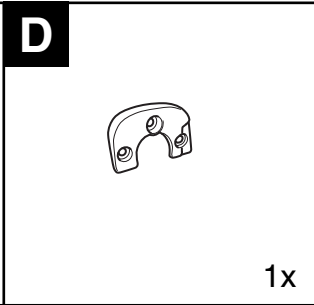
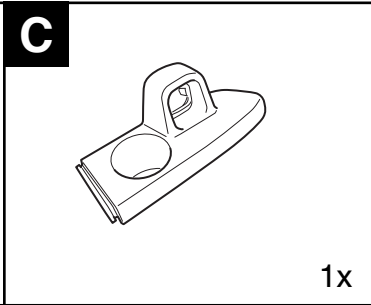
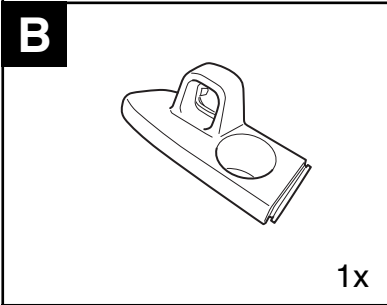
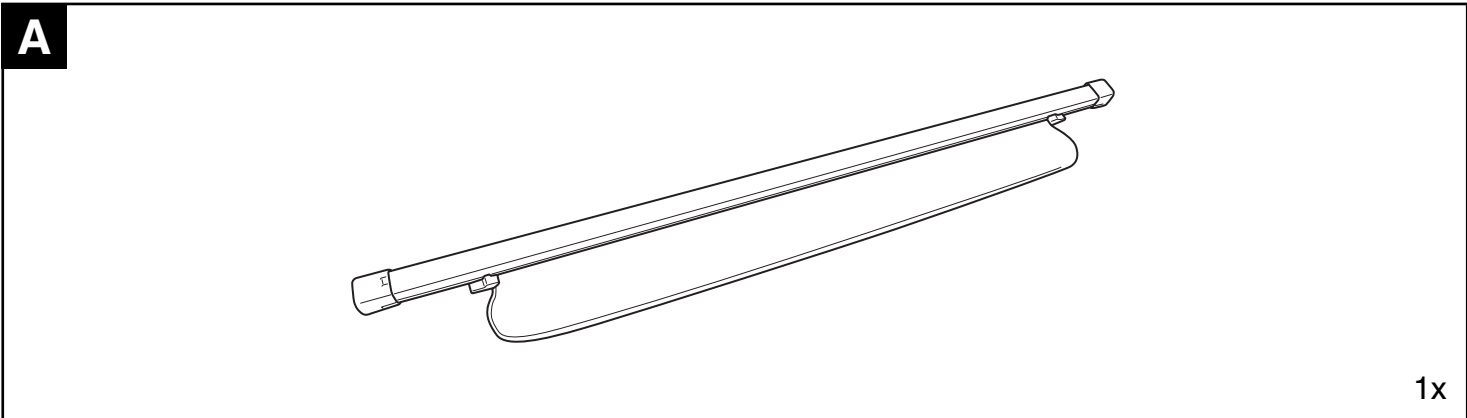


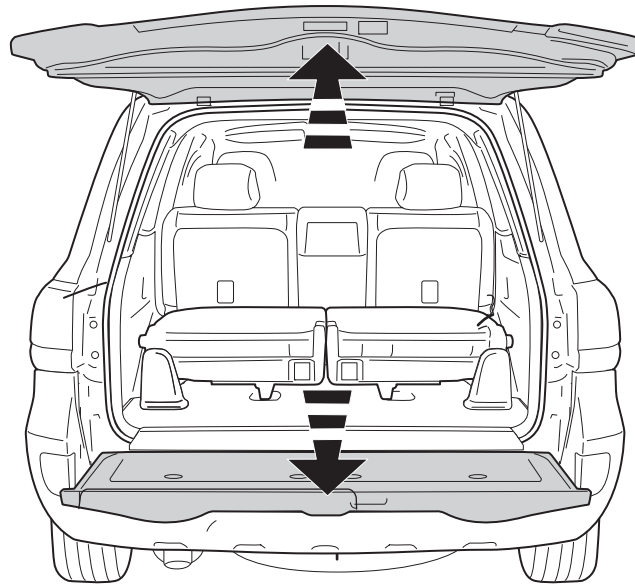
Tonneau Cover INSTALLATION INSTRUCTIONS LX

Model year 2015/09
Vehicle code **J200*-G****W
Part number 08254-60800
08254-60810

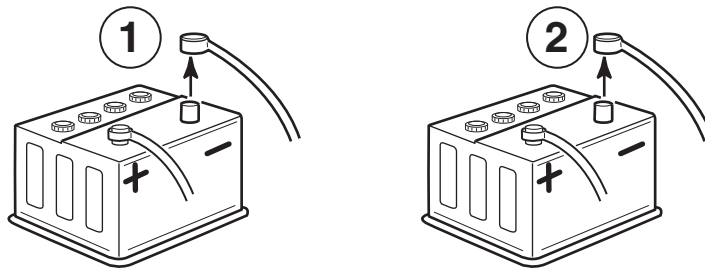
Revision Record

Rev. No.	Date	Page	Picture	Update	New	Deleted

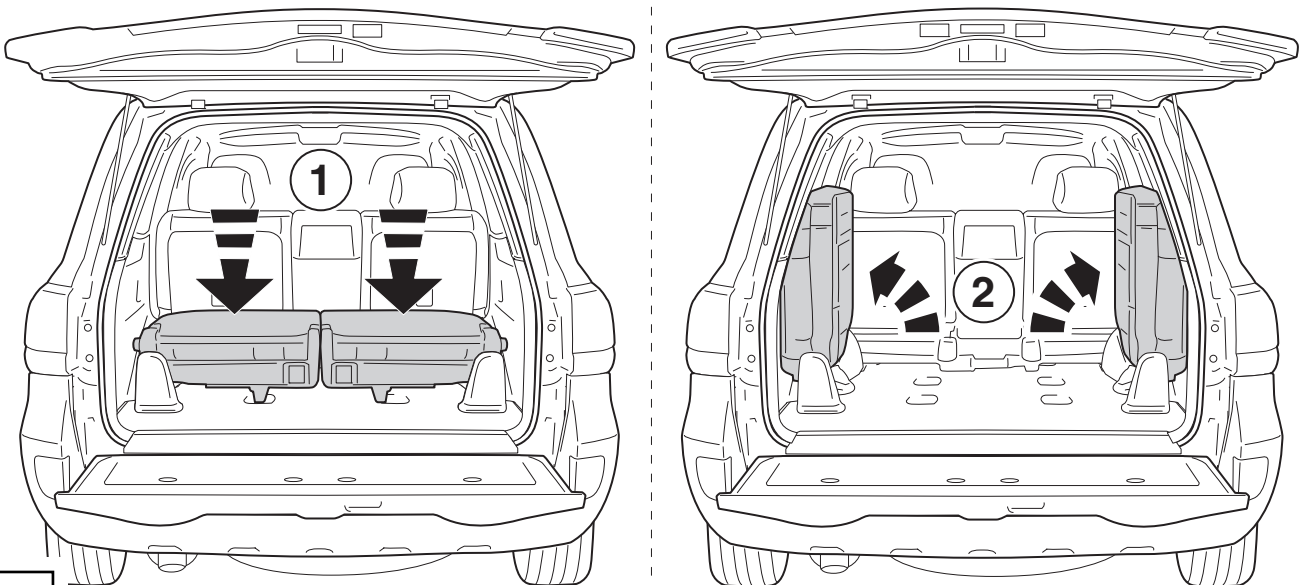




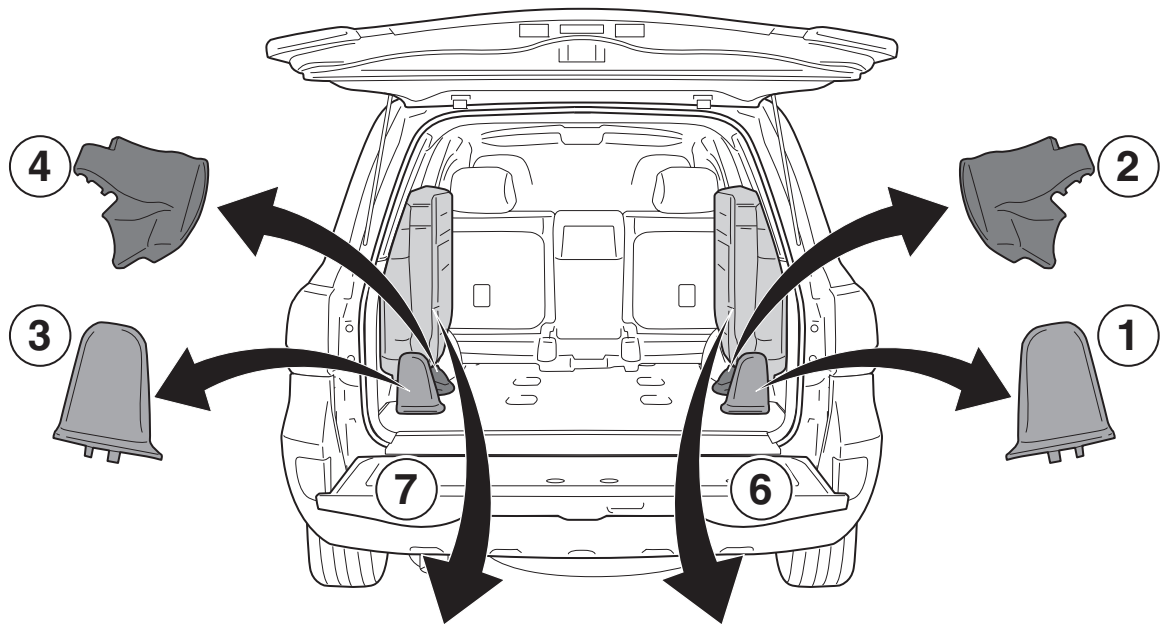
1



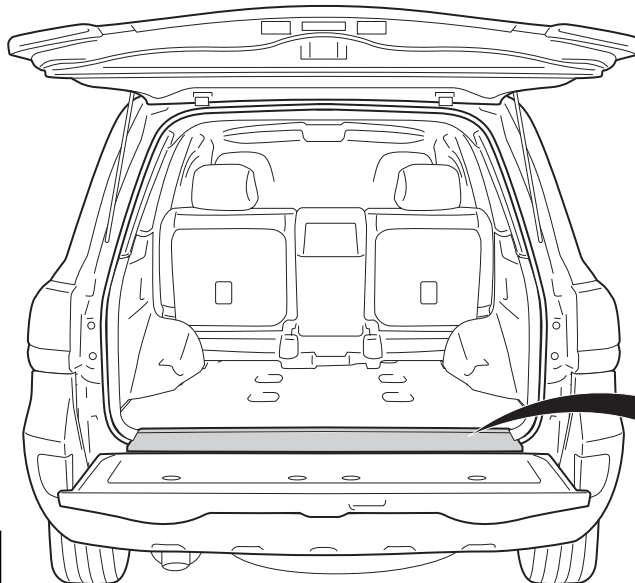
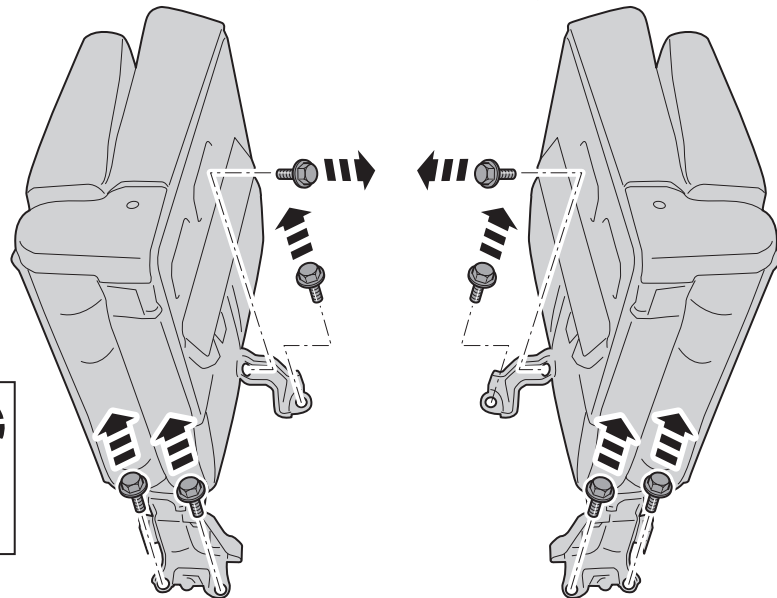
2



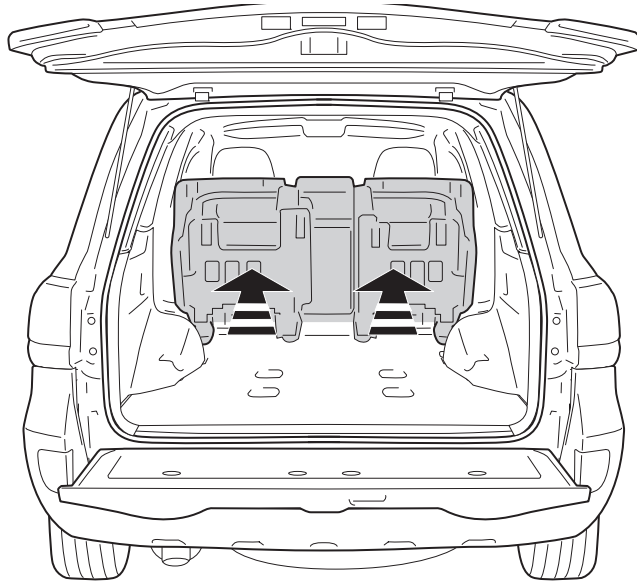
3



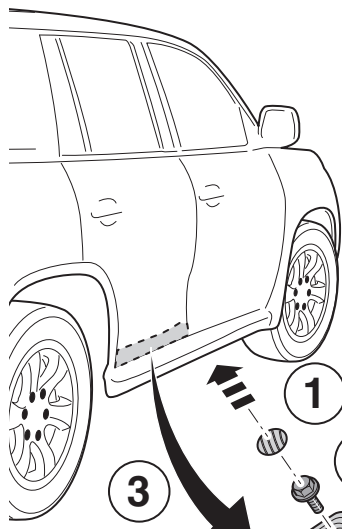
4

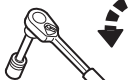




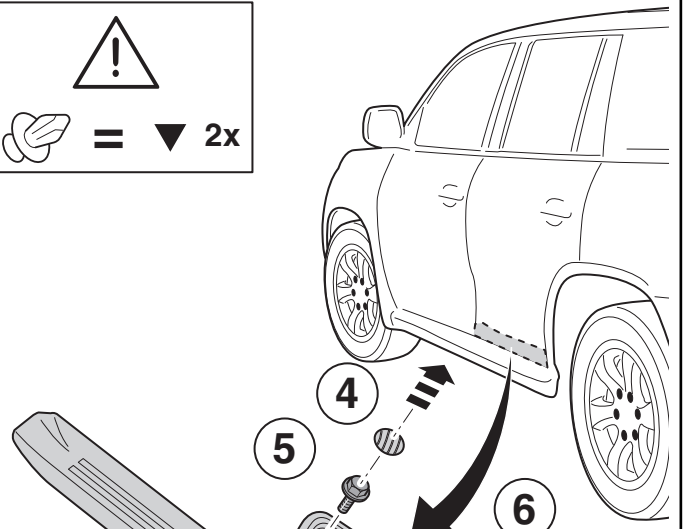
5



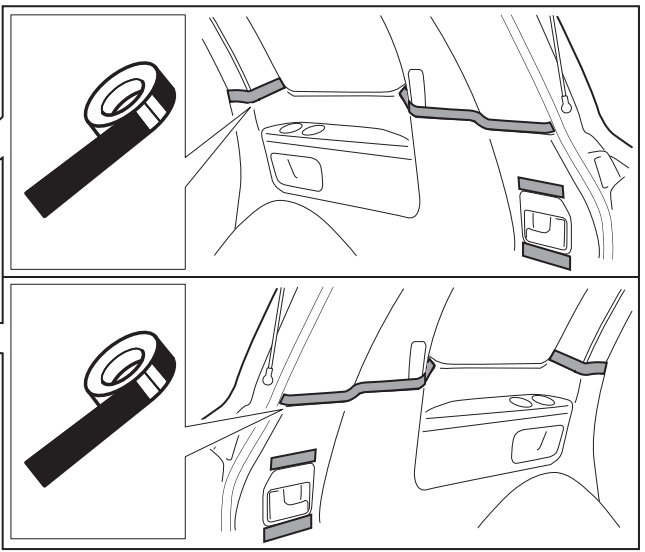
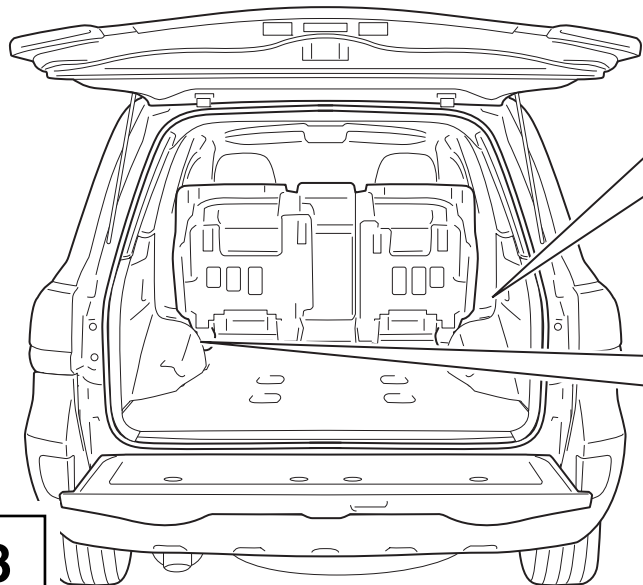
6



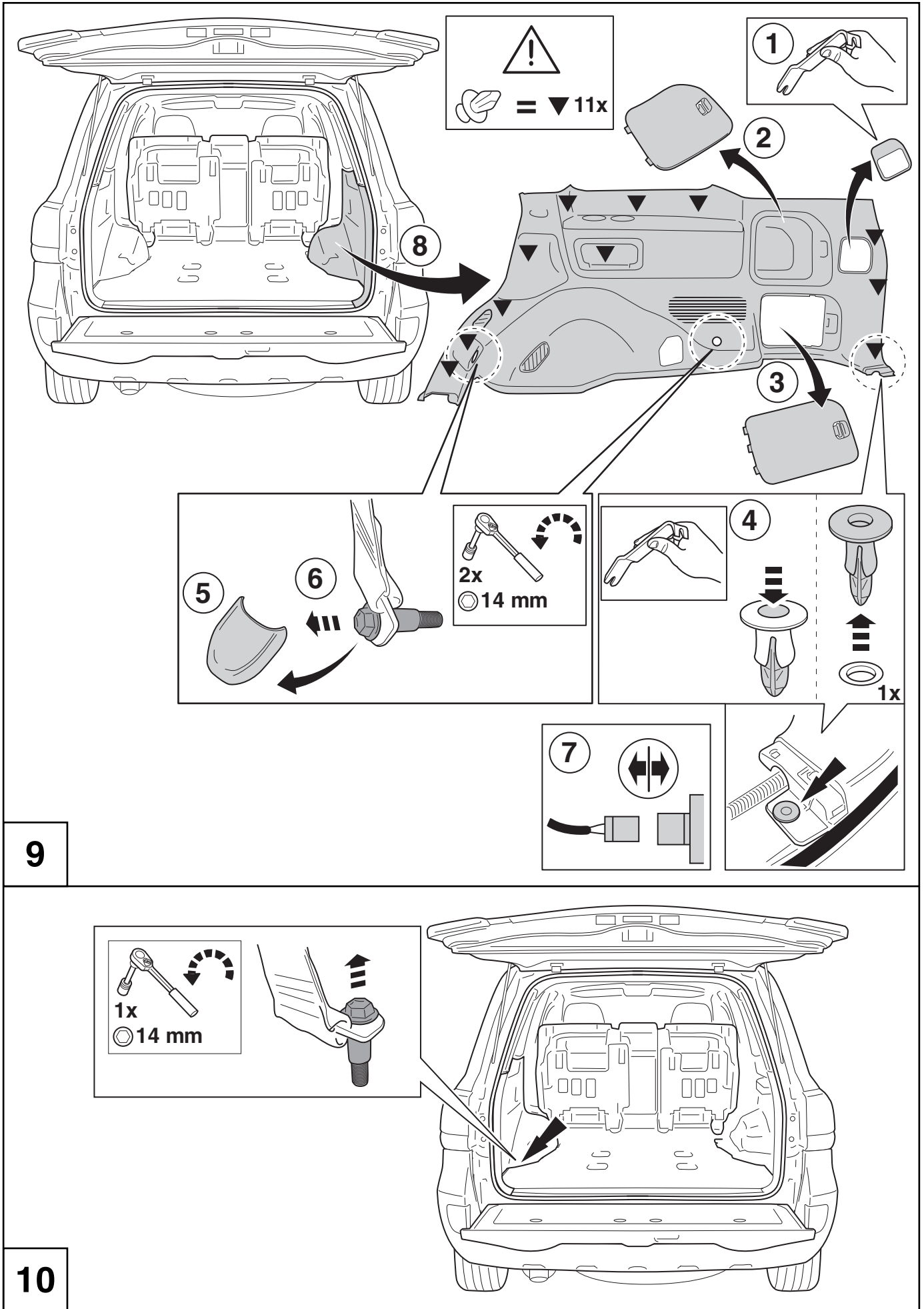
 2x 10 mm	  = ▼ 2x
--	---

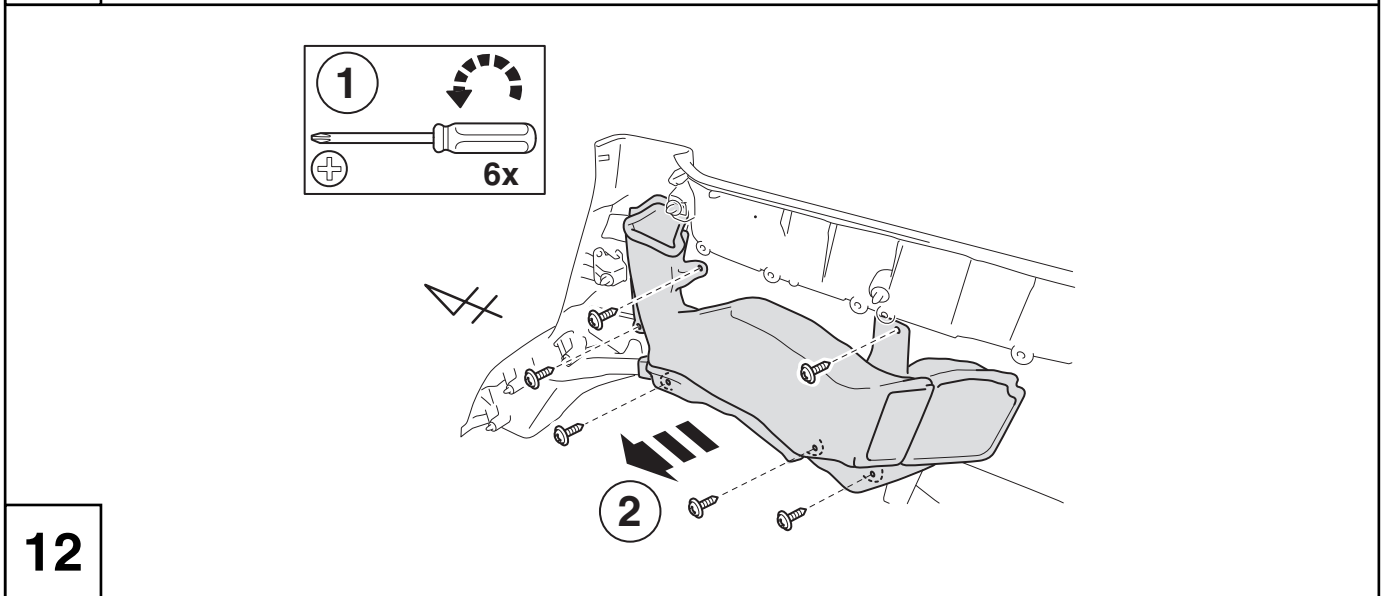
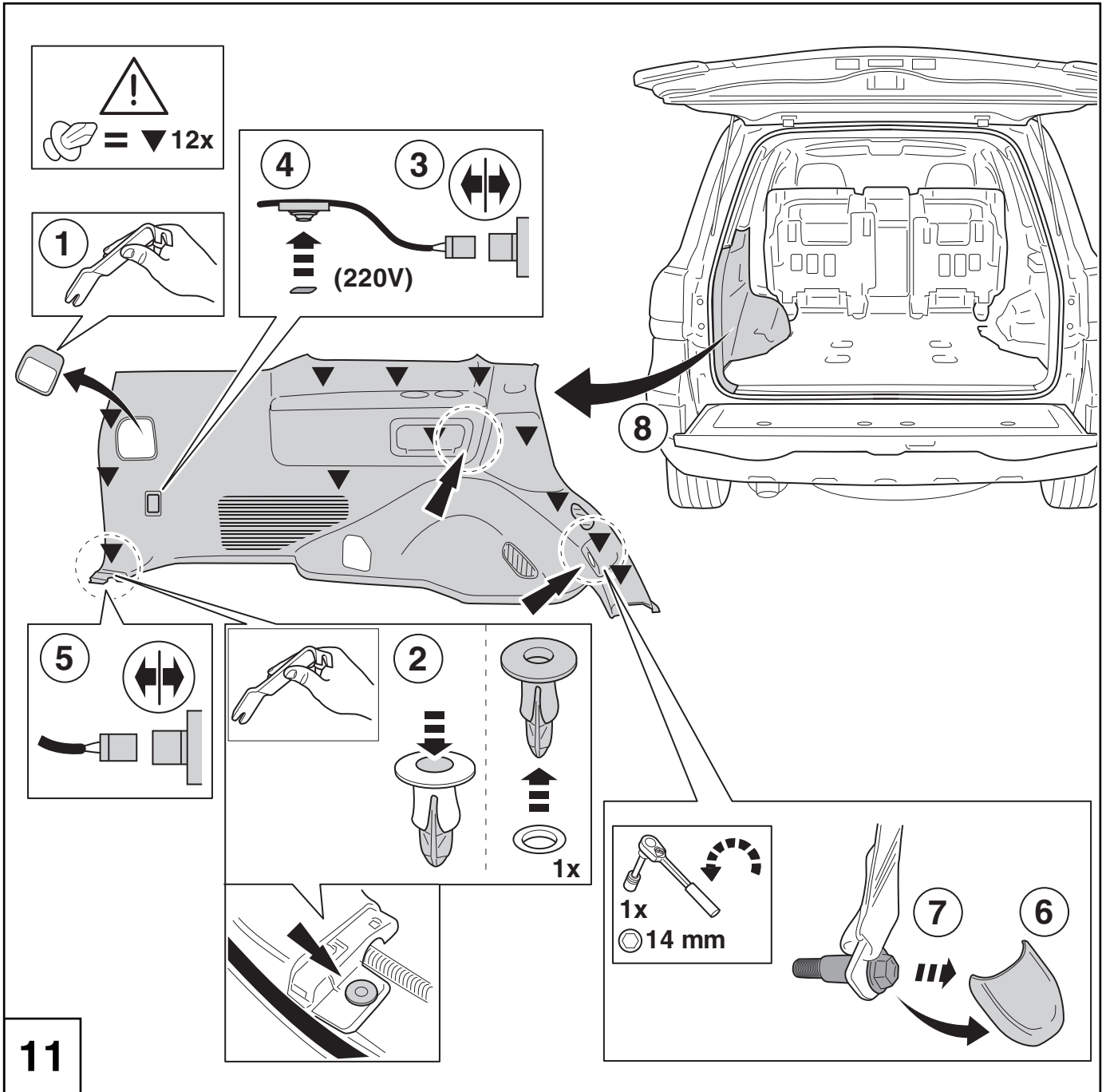


7

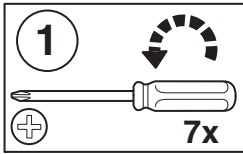


8

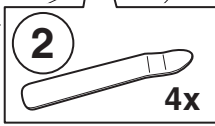
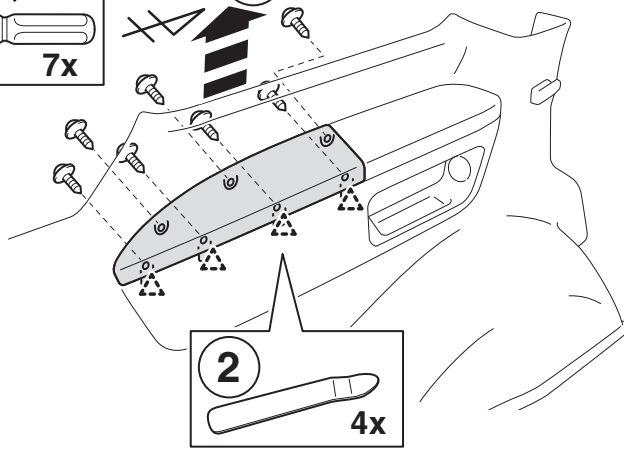




L + R

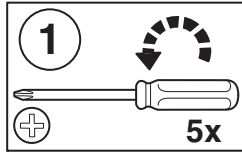


3

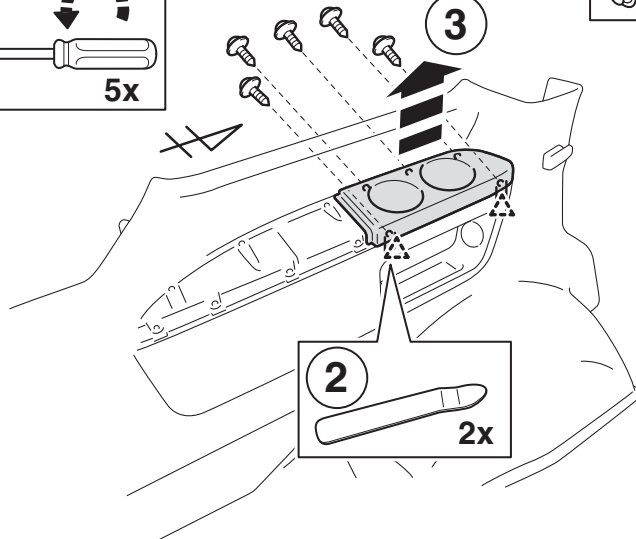


13

L + R

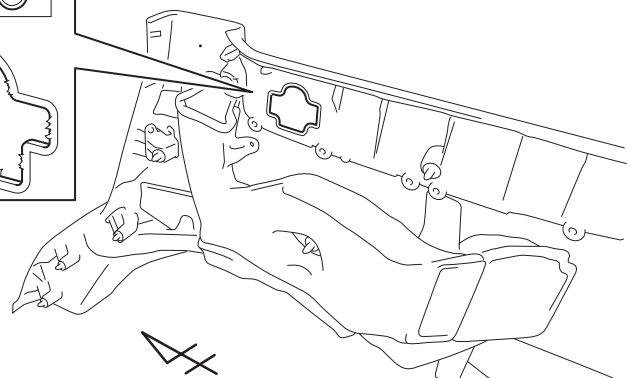
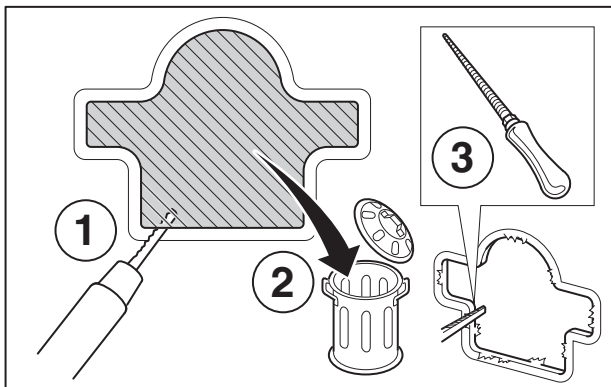


3

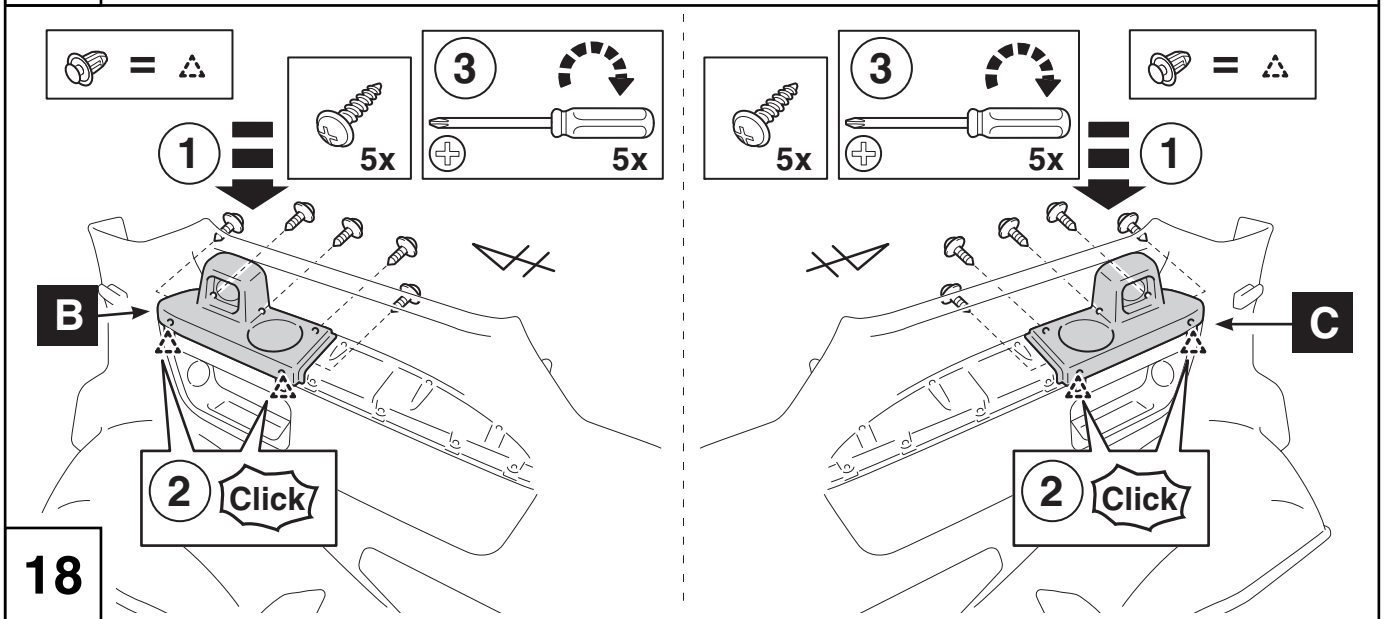
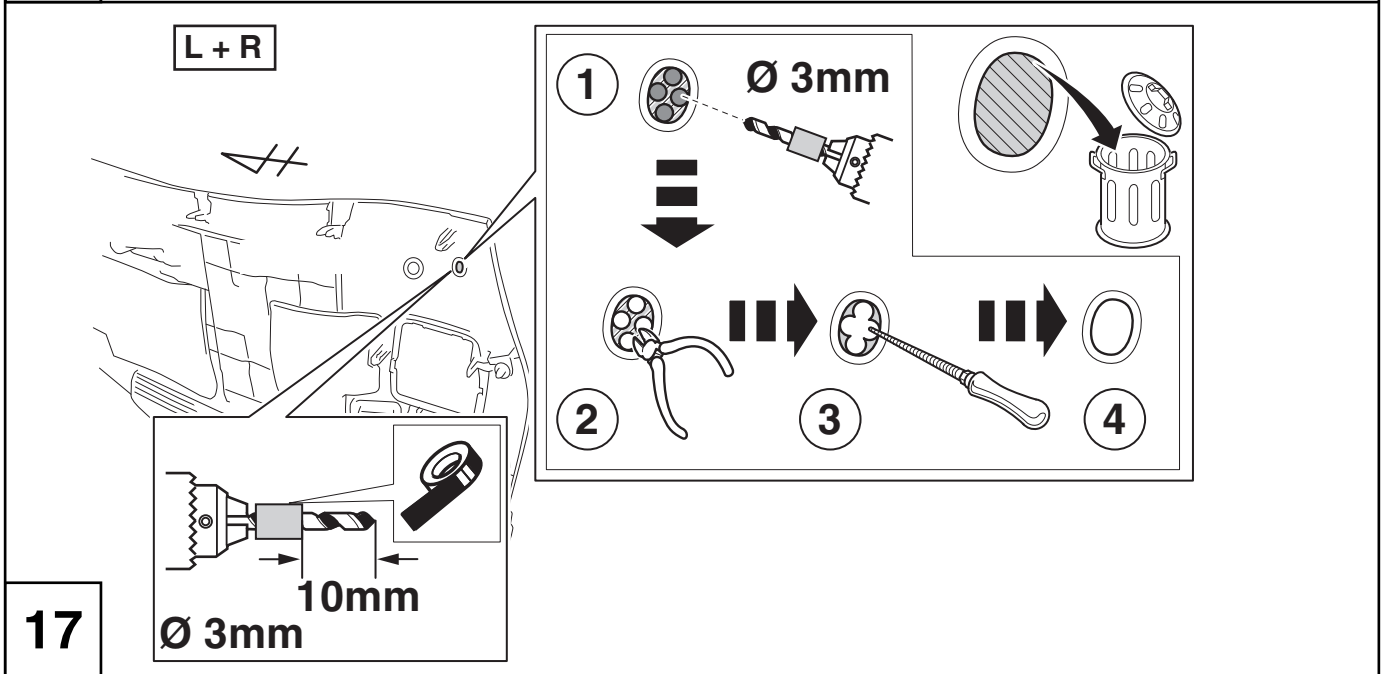
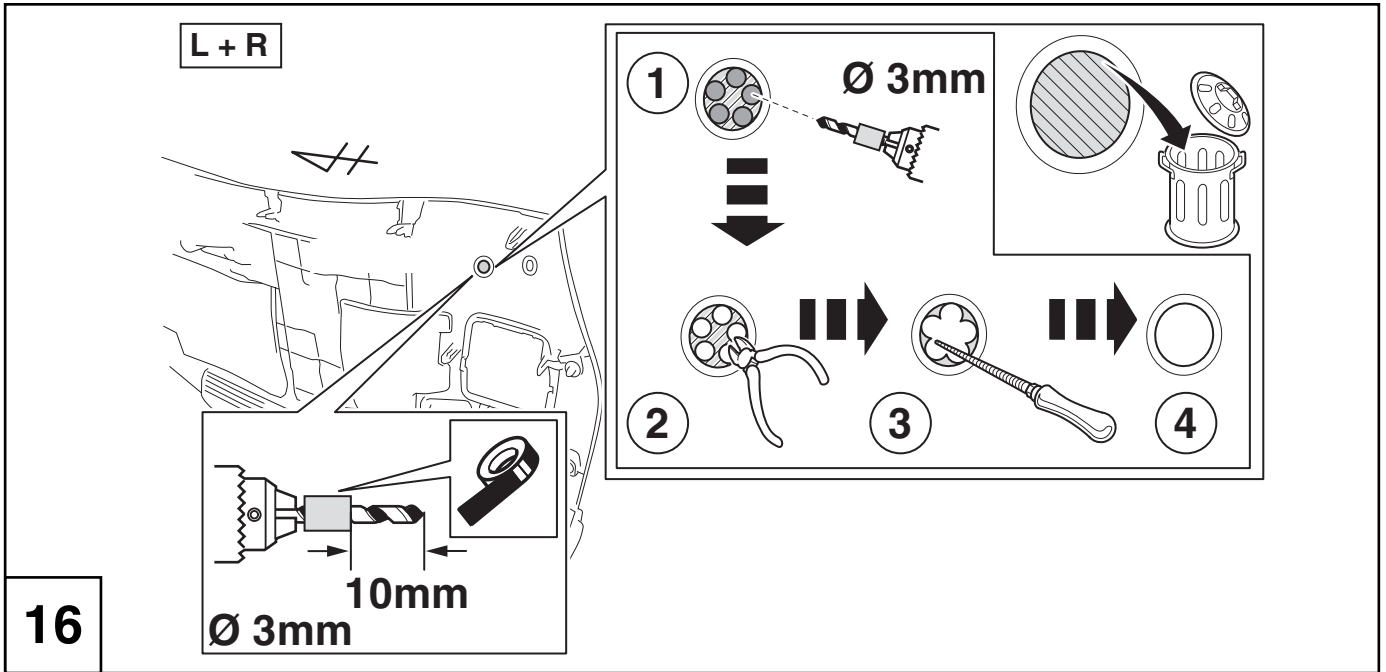


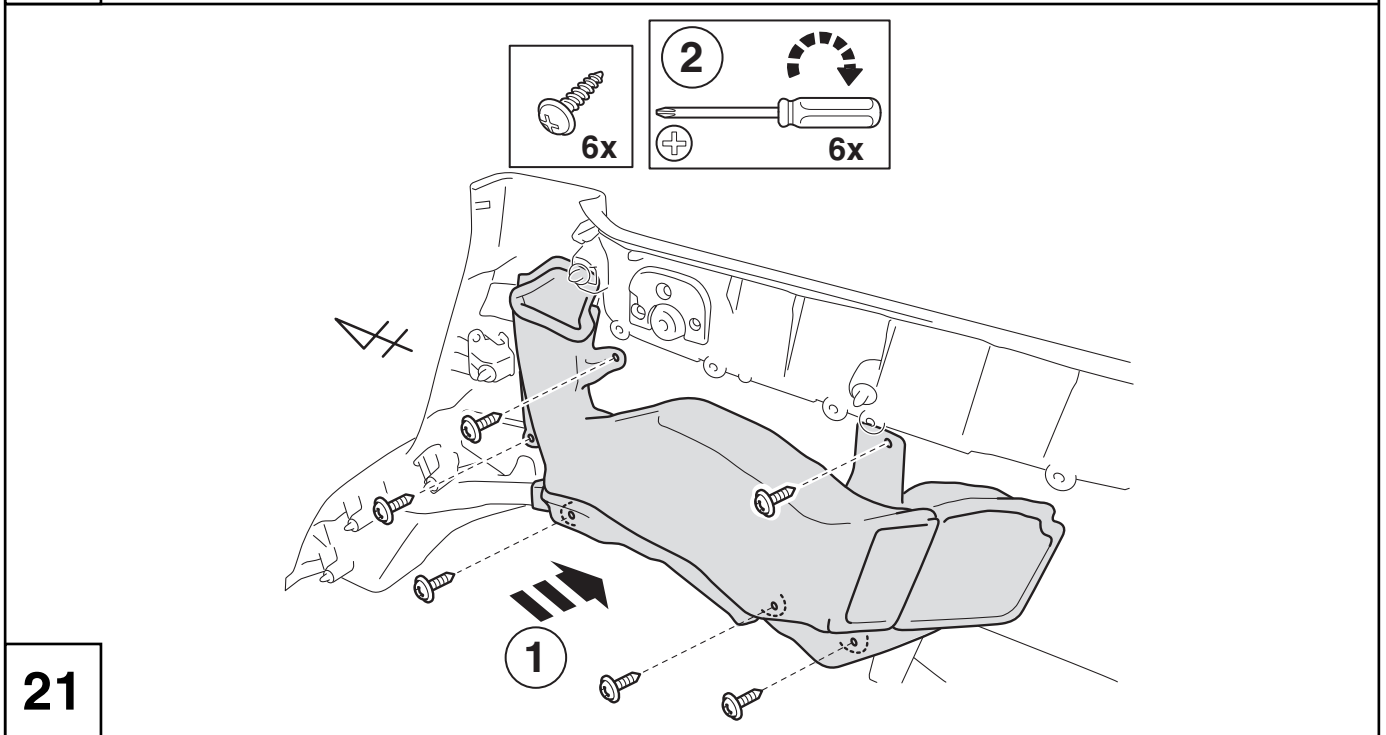
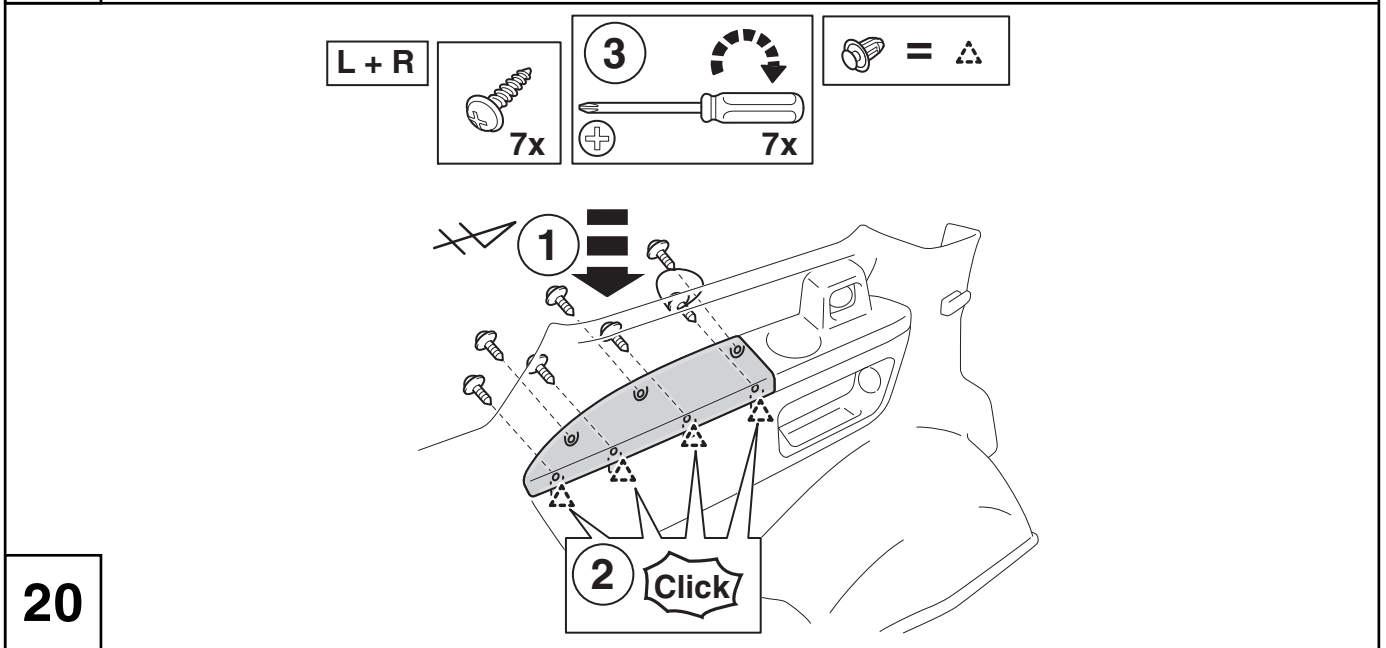
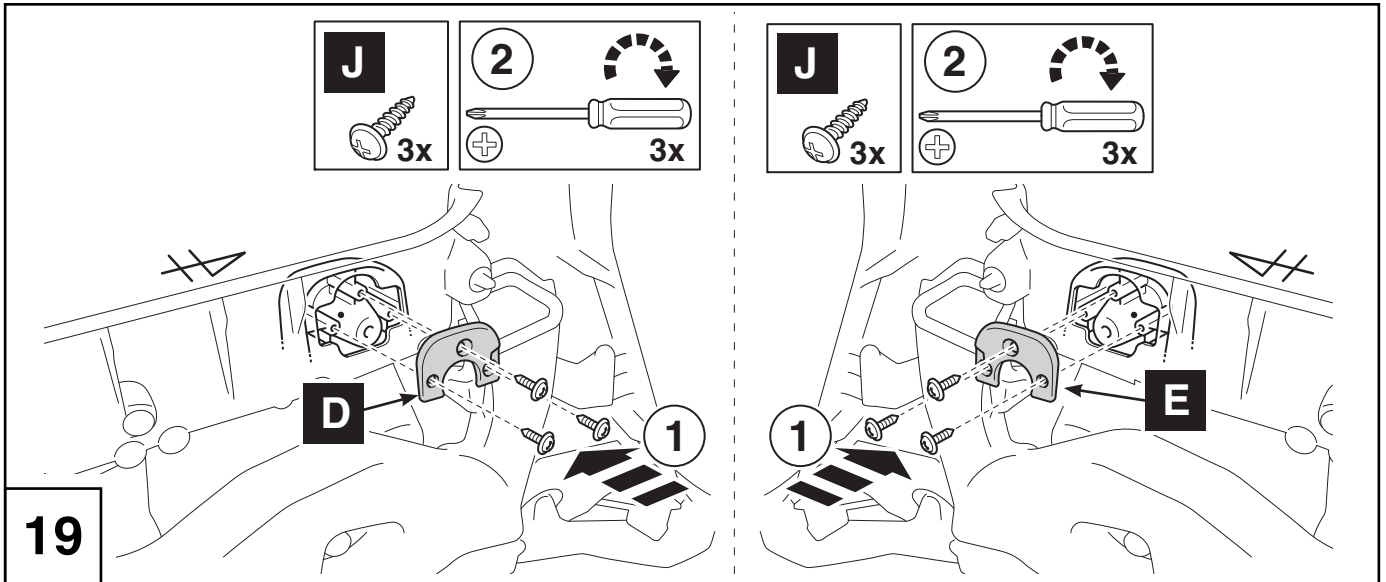
14

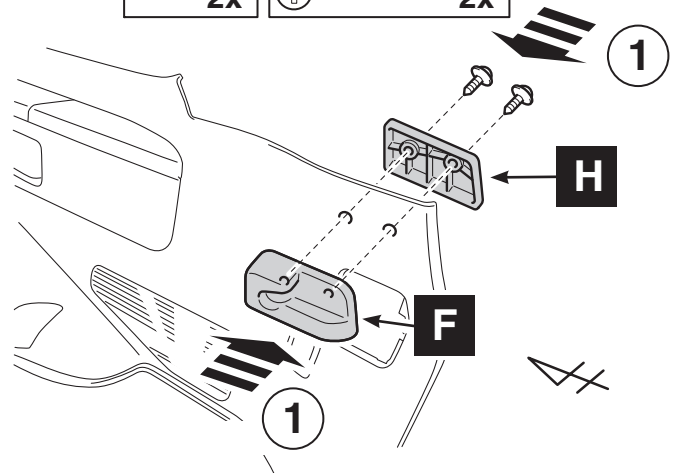
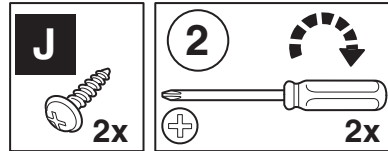
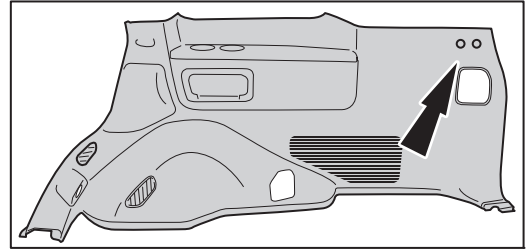
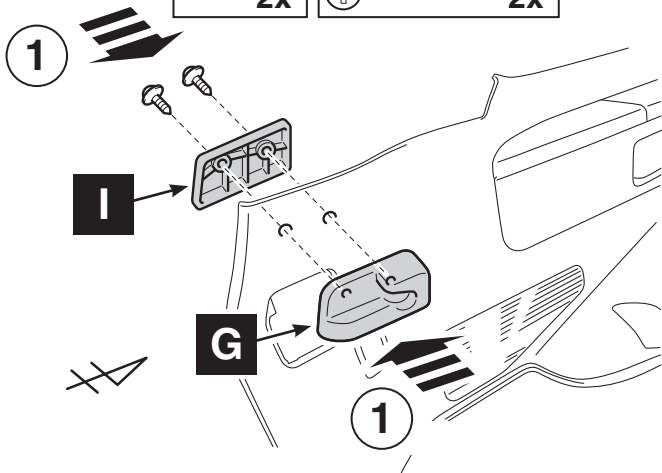
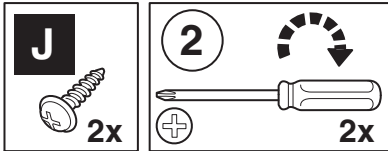
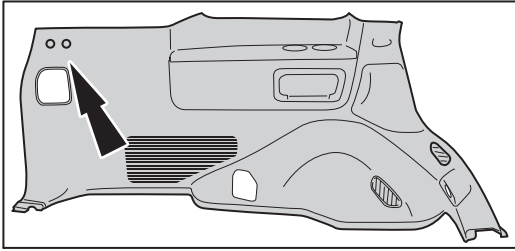
L + R

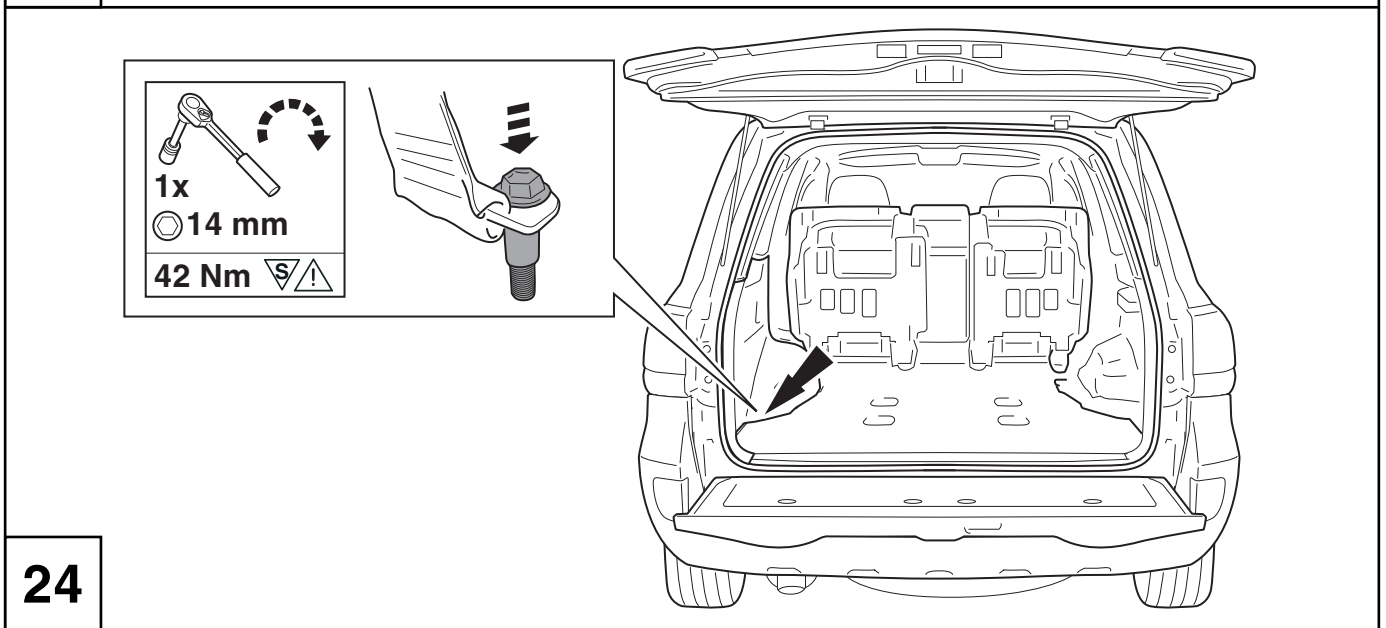
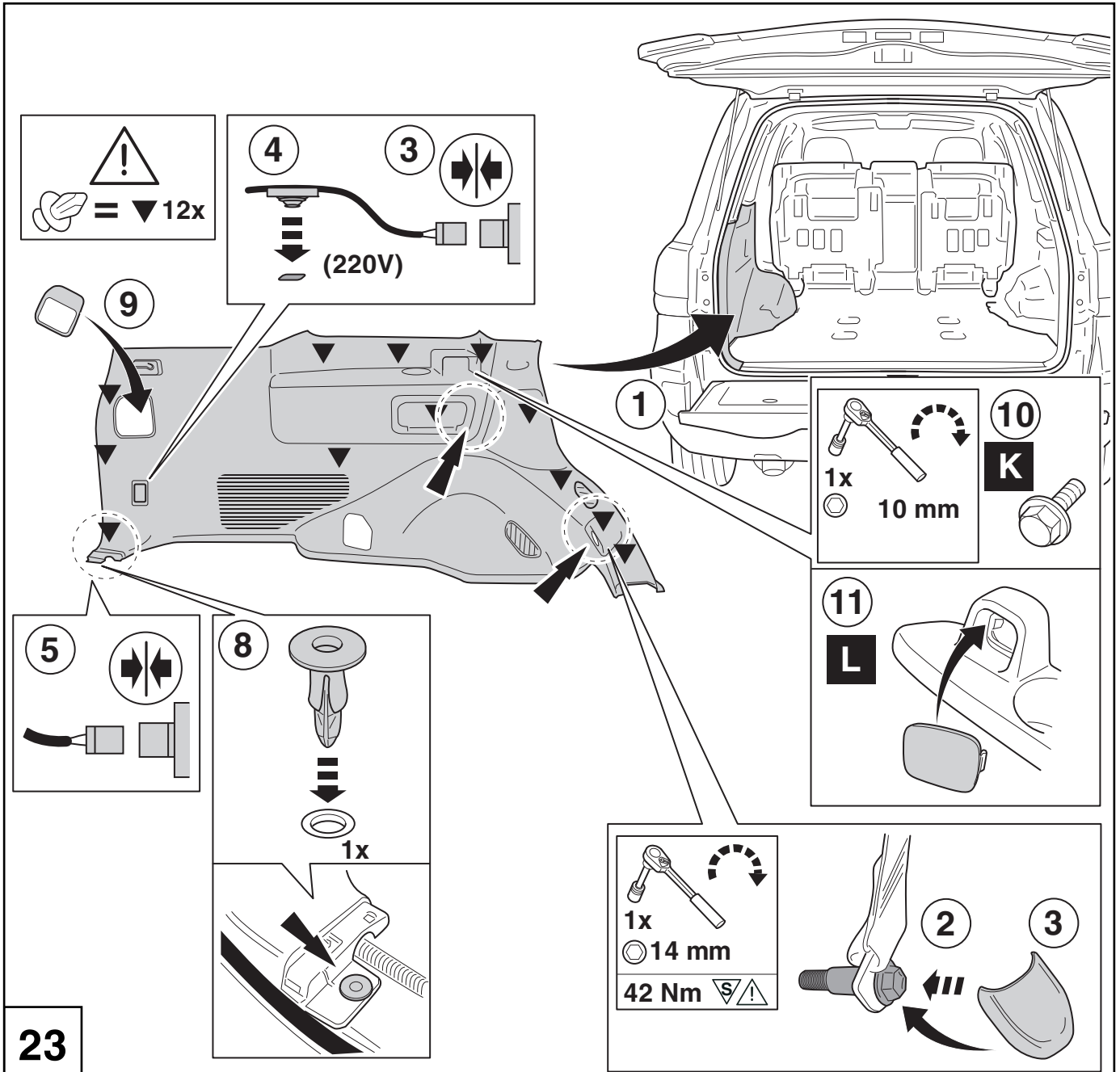


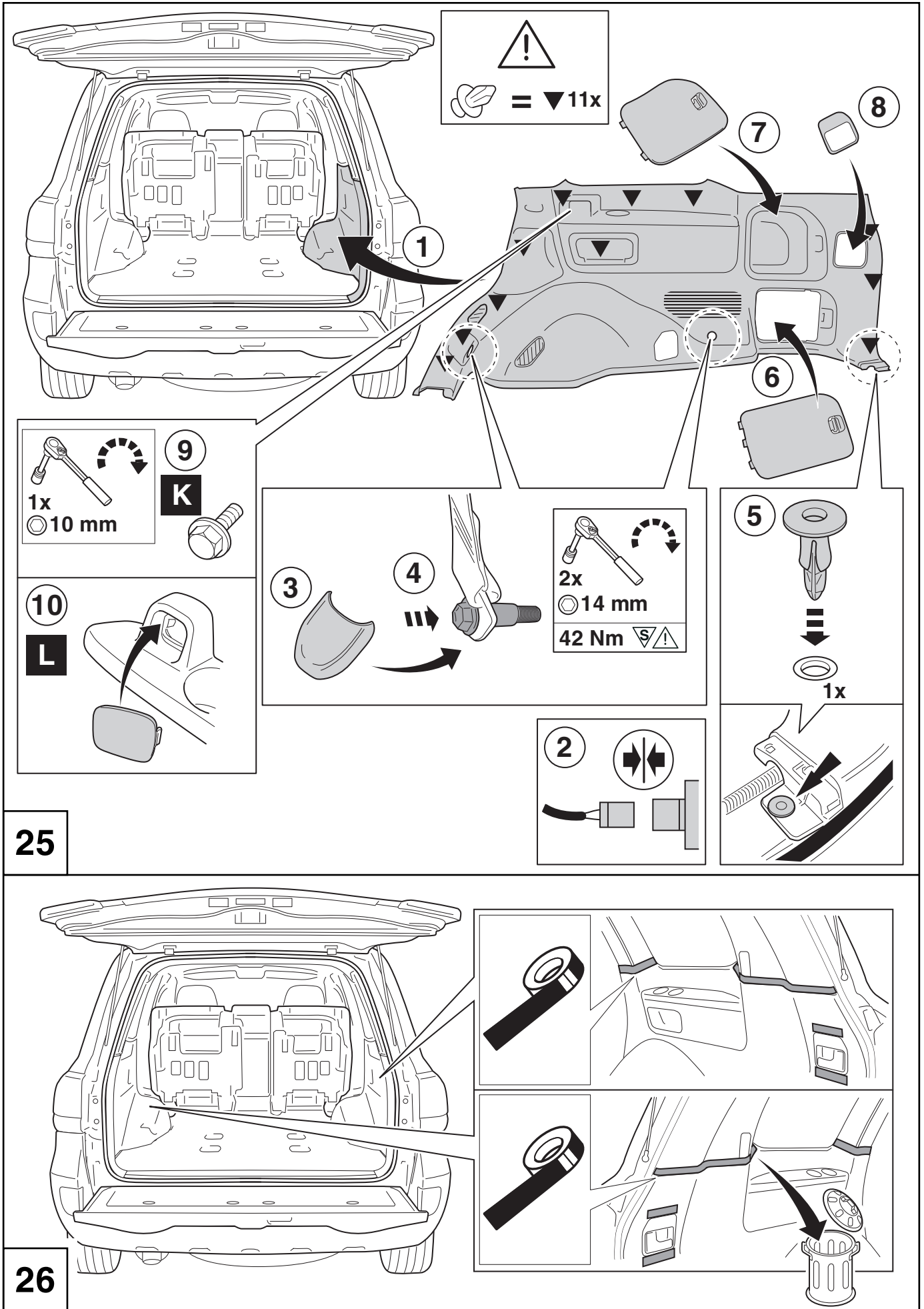
15

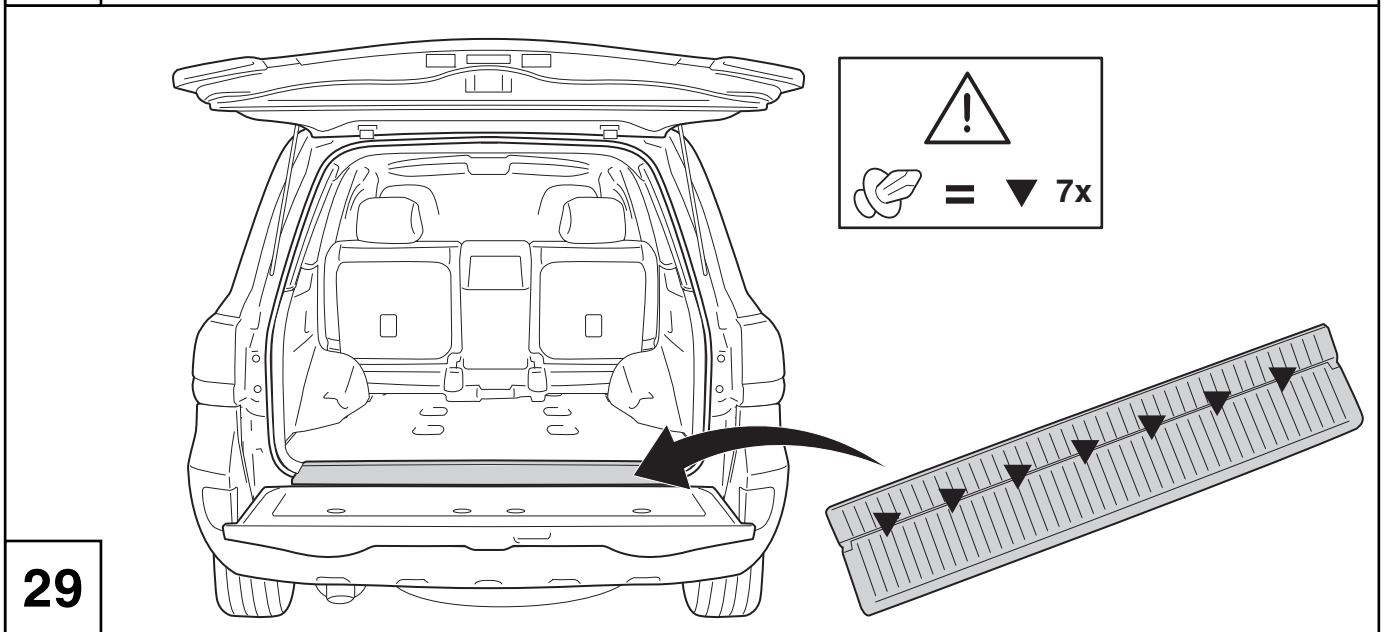
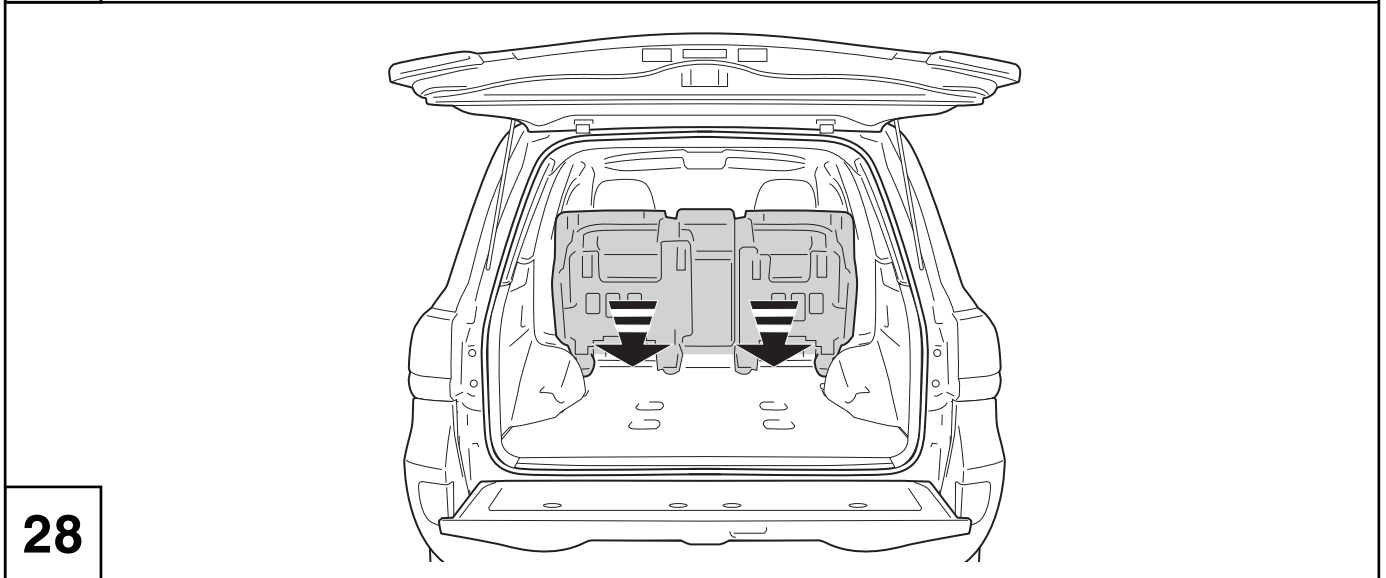
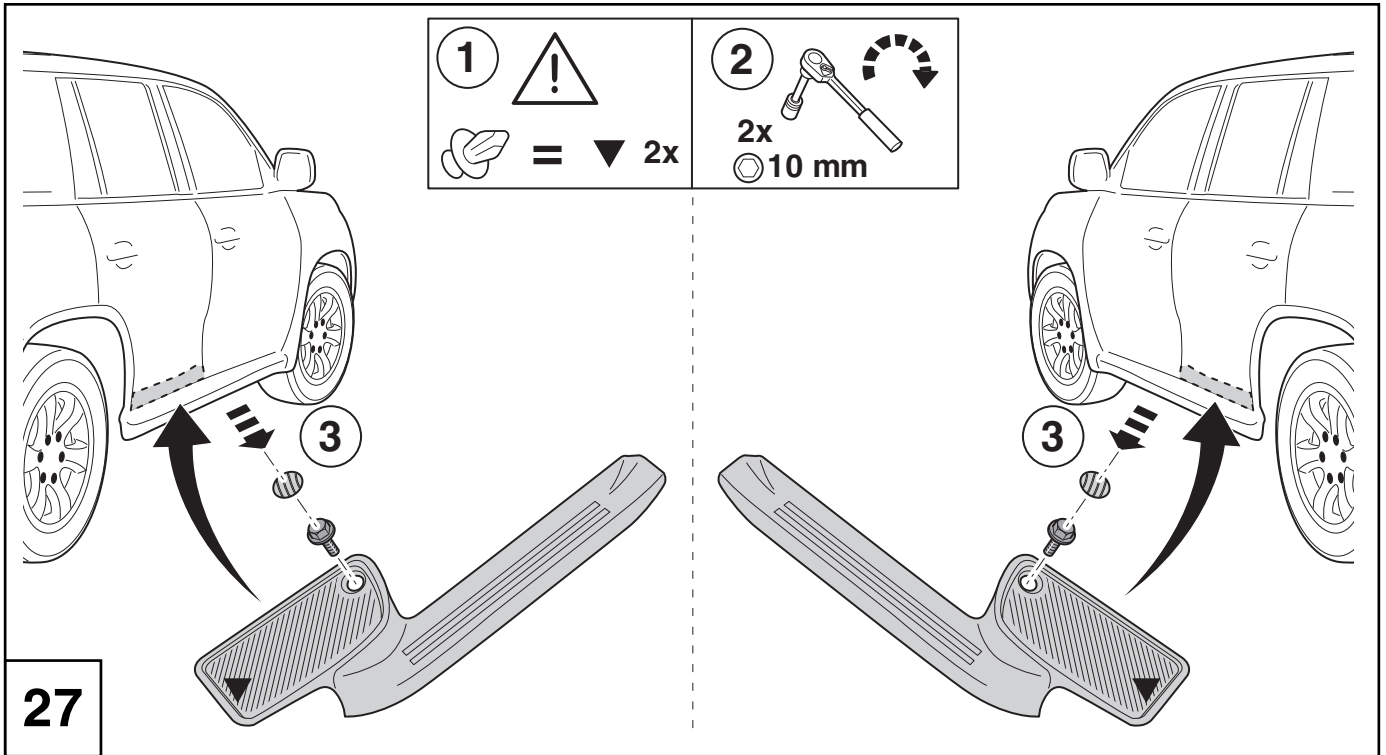


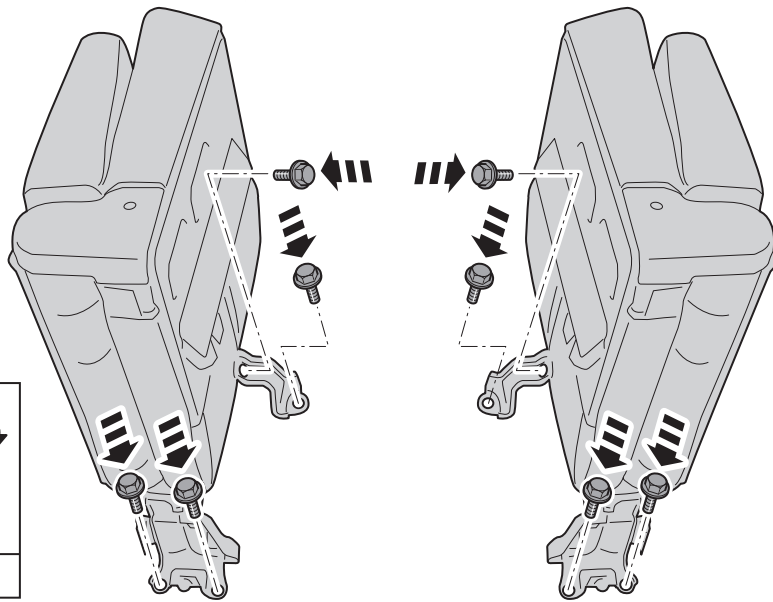
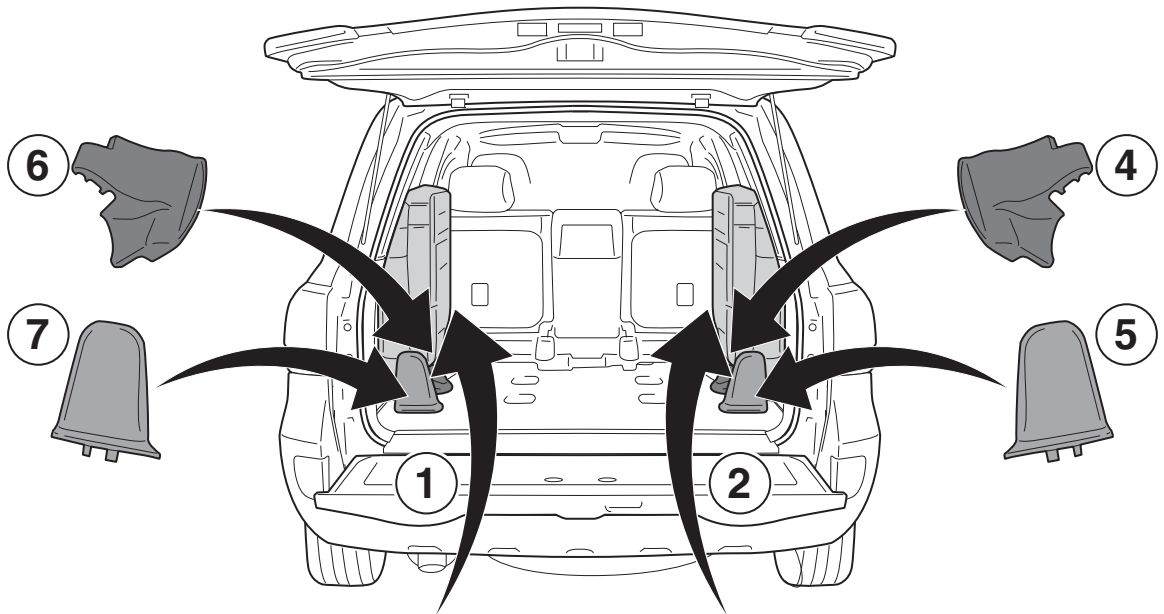








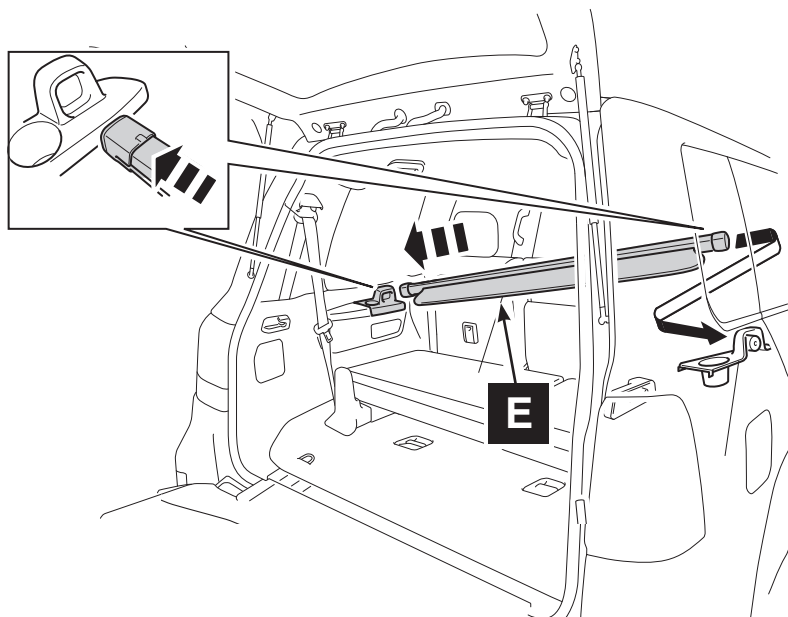




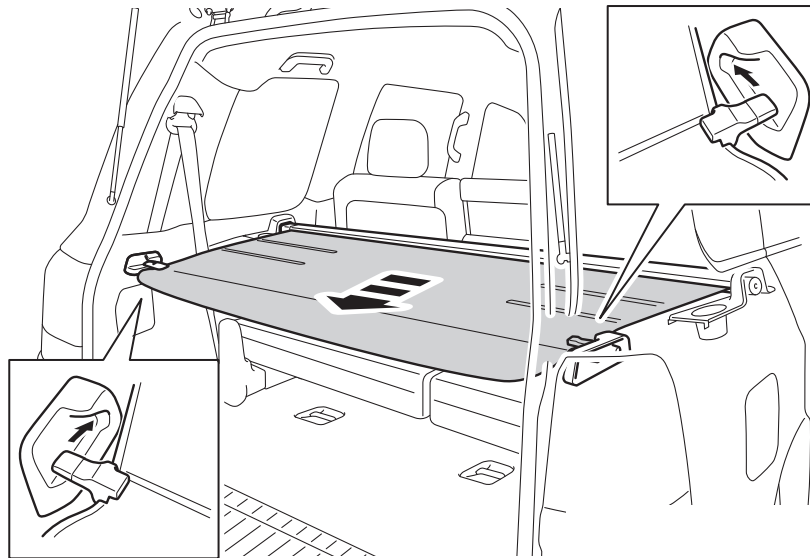


3 
 8x
 14 mm
 42 Nm 

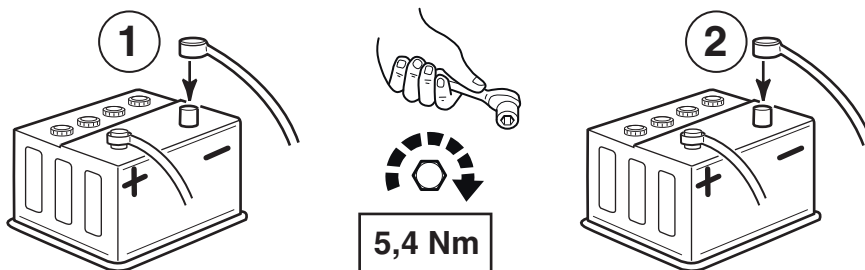
30



31



32



33

CHECK SHEET



Model / Year LX 2015/09

Tonneau Cover

VIN n°

P/N = OK

= OK

23 / 25

= OK

(220V)

= A

= B

42 Nm	CLICK	A	B
	Serial Number		
<input type="text"/>		<input type="checkbox"/>	<input type="checkbox"/>

42 Nm 8x

42 Nm	CLICK	A	B
	Serial Number		
<input type="text"/>		<input type="checkbox"/>	<input type="checkbox"/>

42 Nm 4x

= OK

5,4 Nm

1

2

= OK

= OK

Installation Date:

... / ... / ...

Technician Name & Signature:

Stamp:

