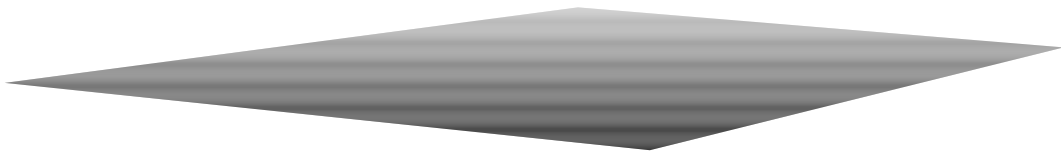




Toyota Genuine Audio

INSTALLATION INSTRUCTIONS

FOR



RX300 (RHD)

****V15*R**

TABLE OF CONTENTS



1. Audio Application Chart	4
2. MD Changer Installation	6

Application Chart RX300

Application Chart RX300



2. MD CHANGER INSTALLATION

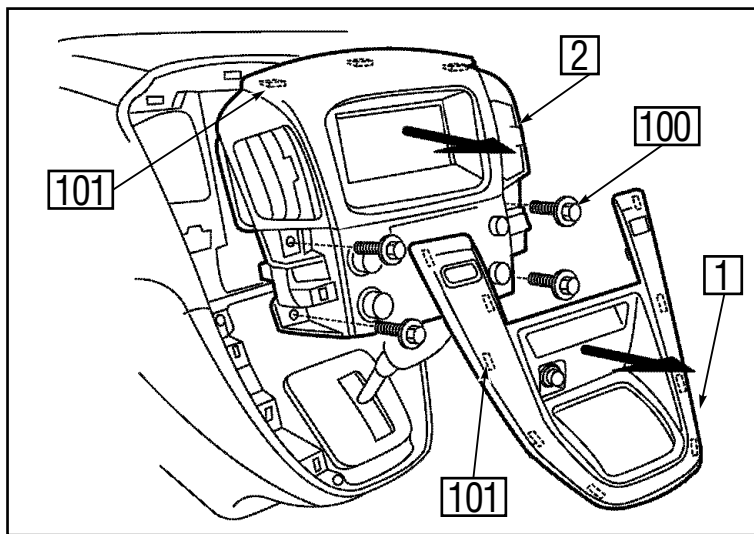


Fig. 1

1. Remove the shift cover **1** and combo assembly **2**.

100: Screw (4x)

101: Clip (12x)

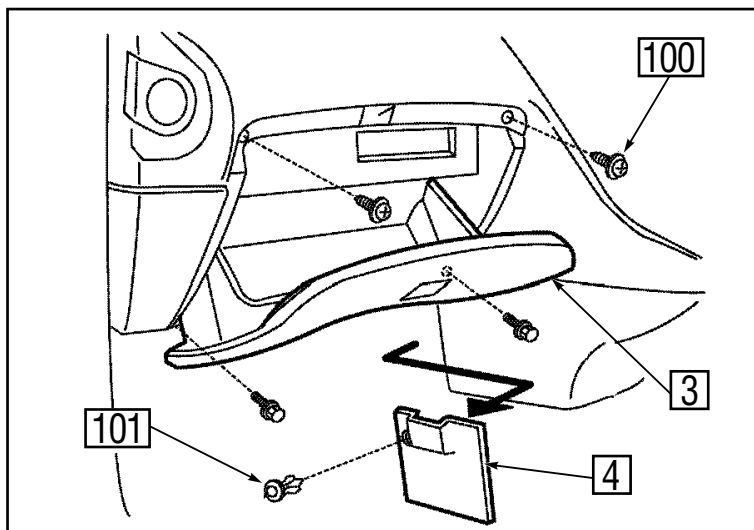


Fig. 2

2. Remove the glove compartment **3** and side cover **4**.

100: Screw (4x)

101: Clip (1x)

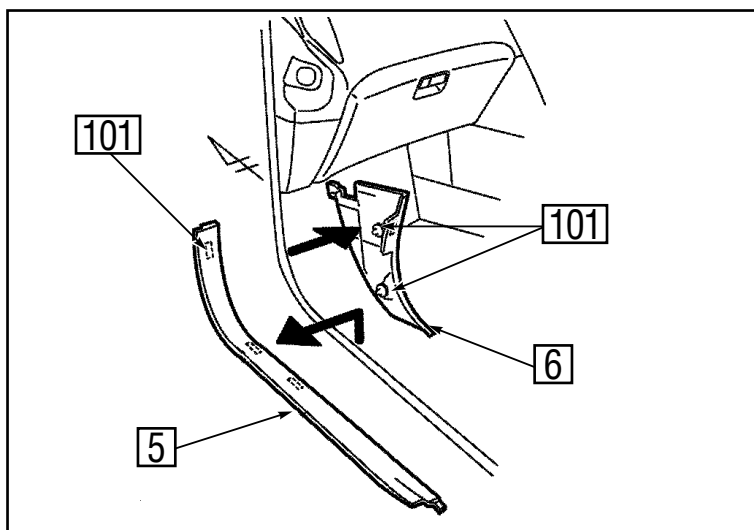


Fig. 3

3. Remove the front scuff plate **5** (L) and cowl side trim **6** (L).

101: Clip (5x)

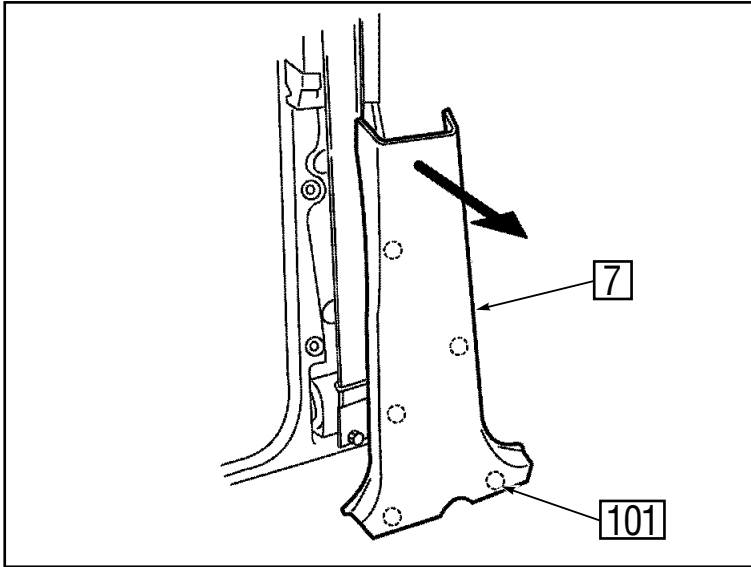


Fig. 4

4. Remove the centre pillar cover **7** (L).
101: Clip (5x)

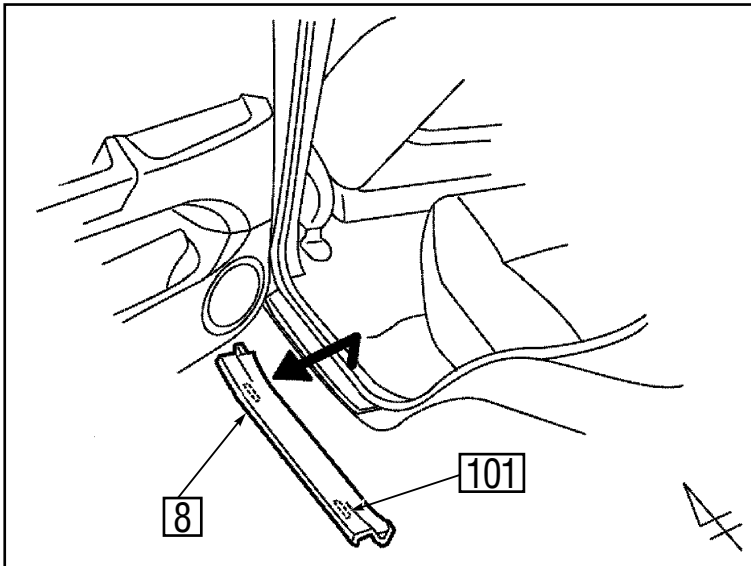


Fig. 5

5. Remove the rear scuff plate **8** (L).
101: Clip (2x)

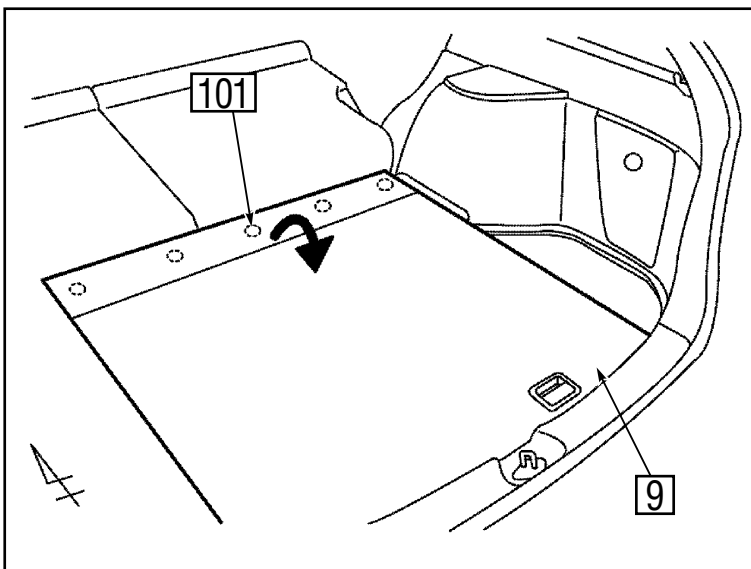


Fig. 6

6. Remove the luggage board **9**.
101: Clip (5x)

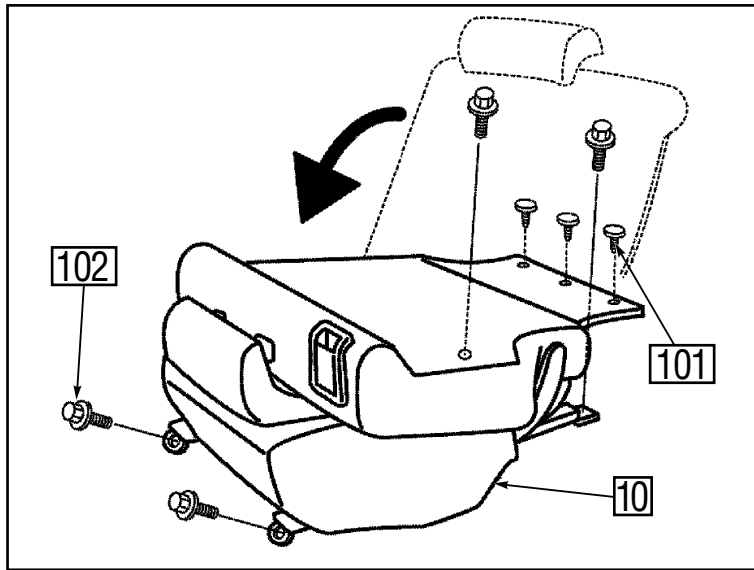


Fig. 7

7. Remove the rear seats **10** (L).
101: Clip (3x)
102: Bolt w/washer (4x)

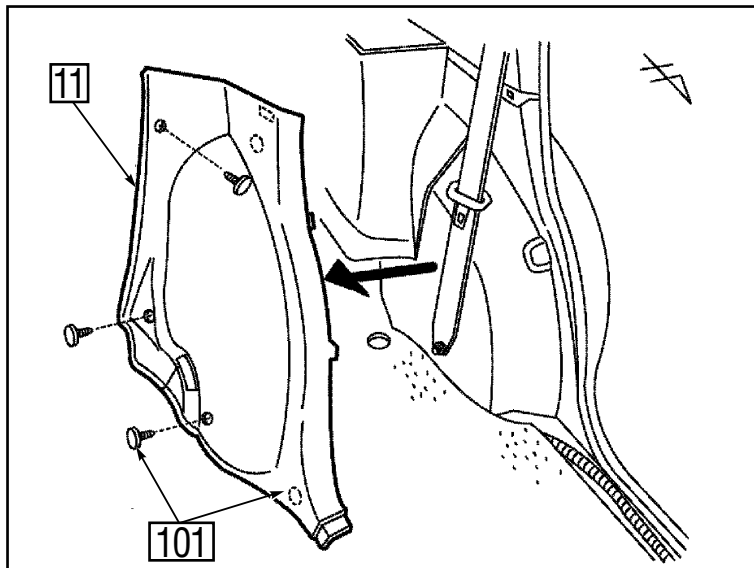


Fig. 8

8. Remove the wheel covers **11** (L).
101: Clip (6x)

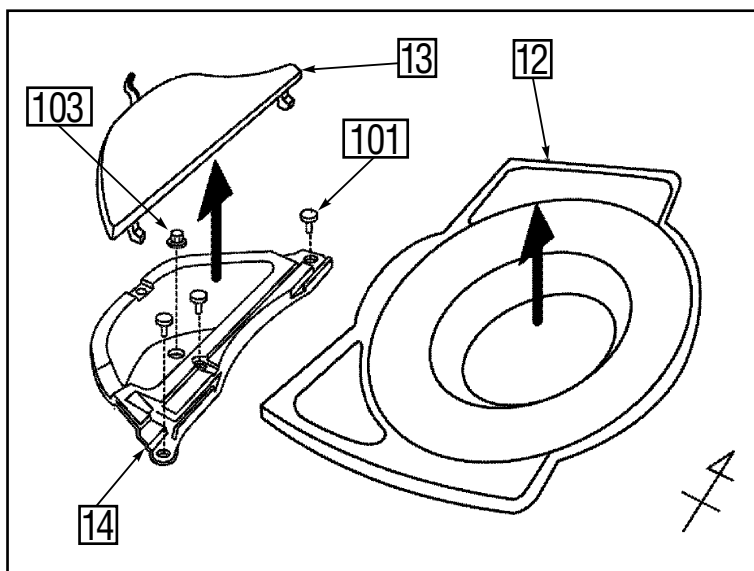


Fig. 9

9. Remove the spare tire cover **12** and luggage side board **13** (L) and luggage side box **14** (L).
101: Clip (3x)
103: Nut (1x)

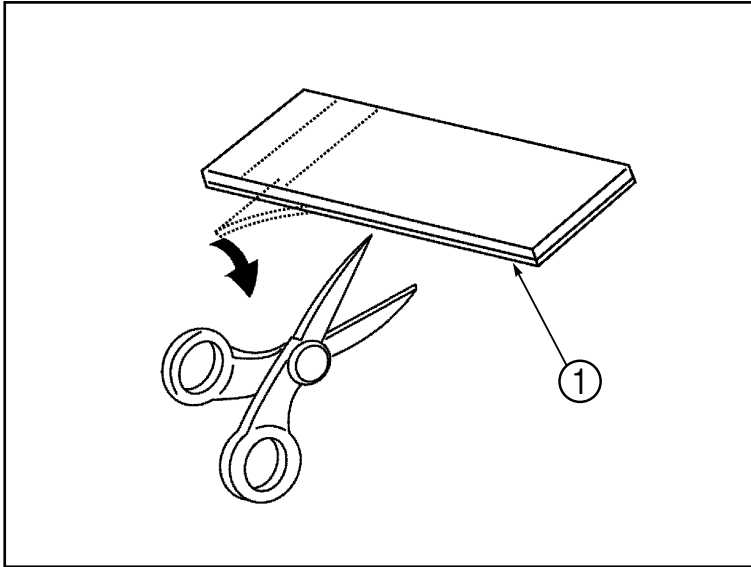


Fig. 10

10. Cut the tapes ① (10 pieces).

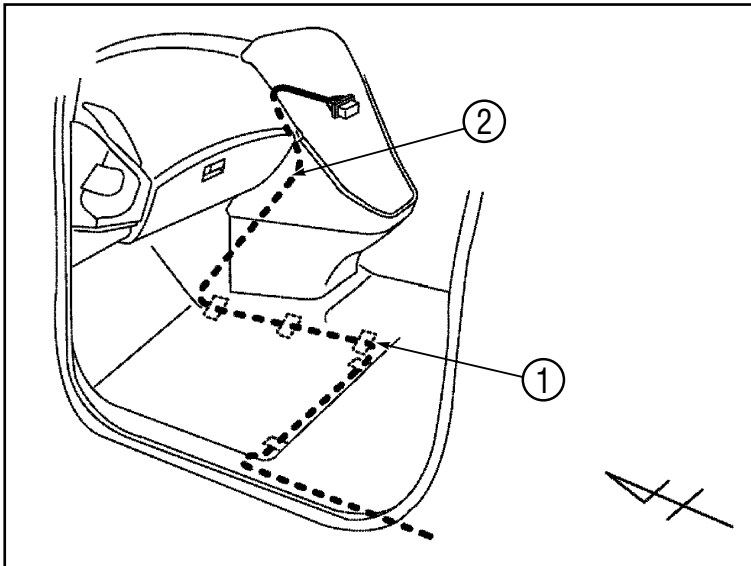


Fig. 11

11. Route the changer wire ②.
①: Tape (5x)

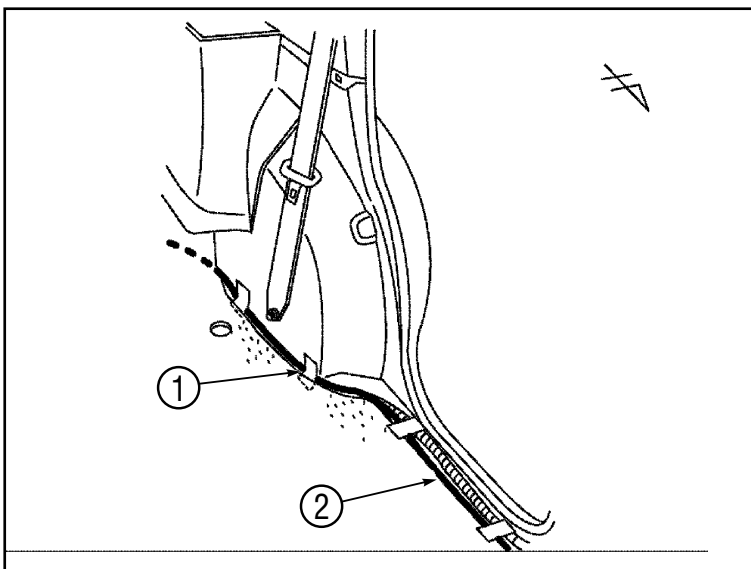


Fig. 12

12. Route the changer wire ②.
①: Tape (4x)

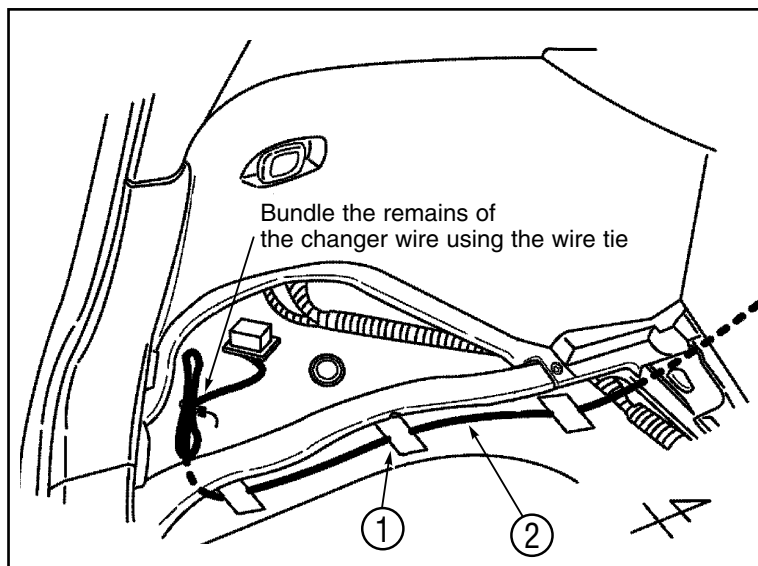


Fig. 13

13. Route the changer wire ②.
 ①: Tape (3x)

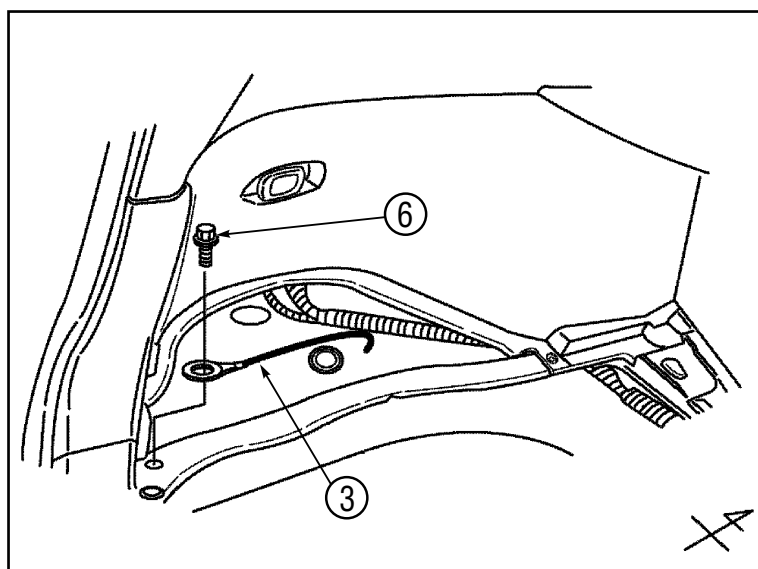
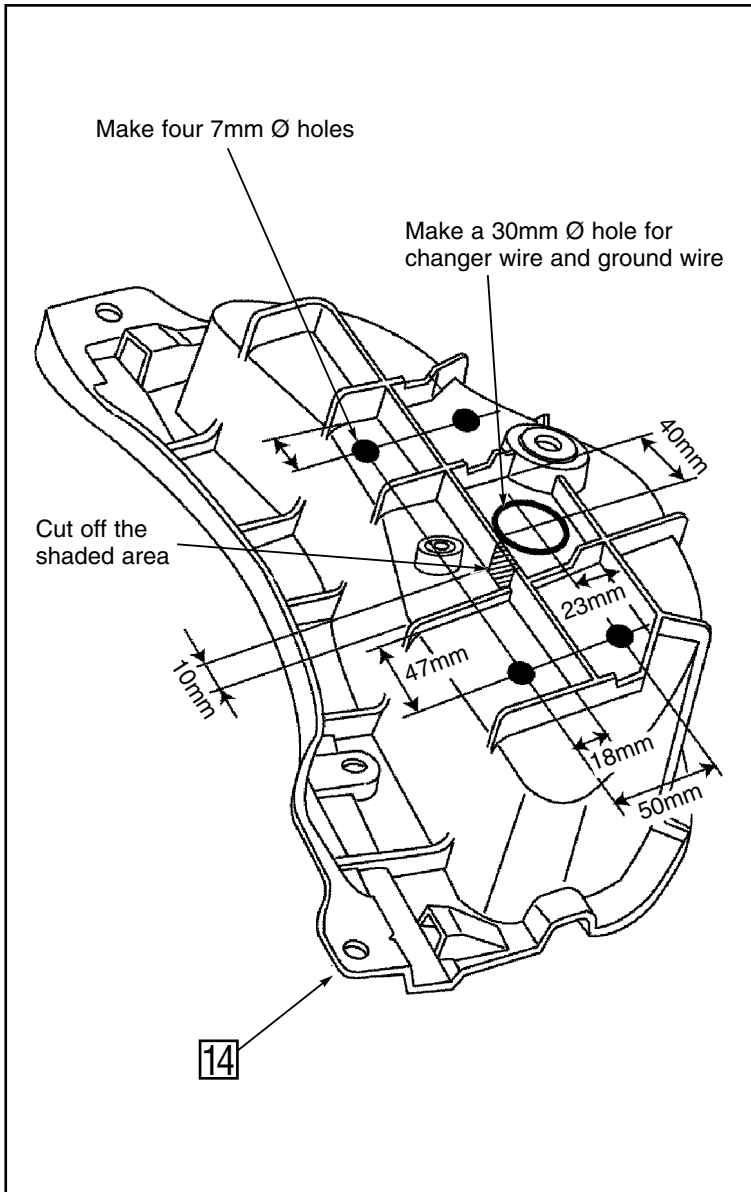


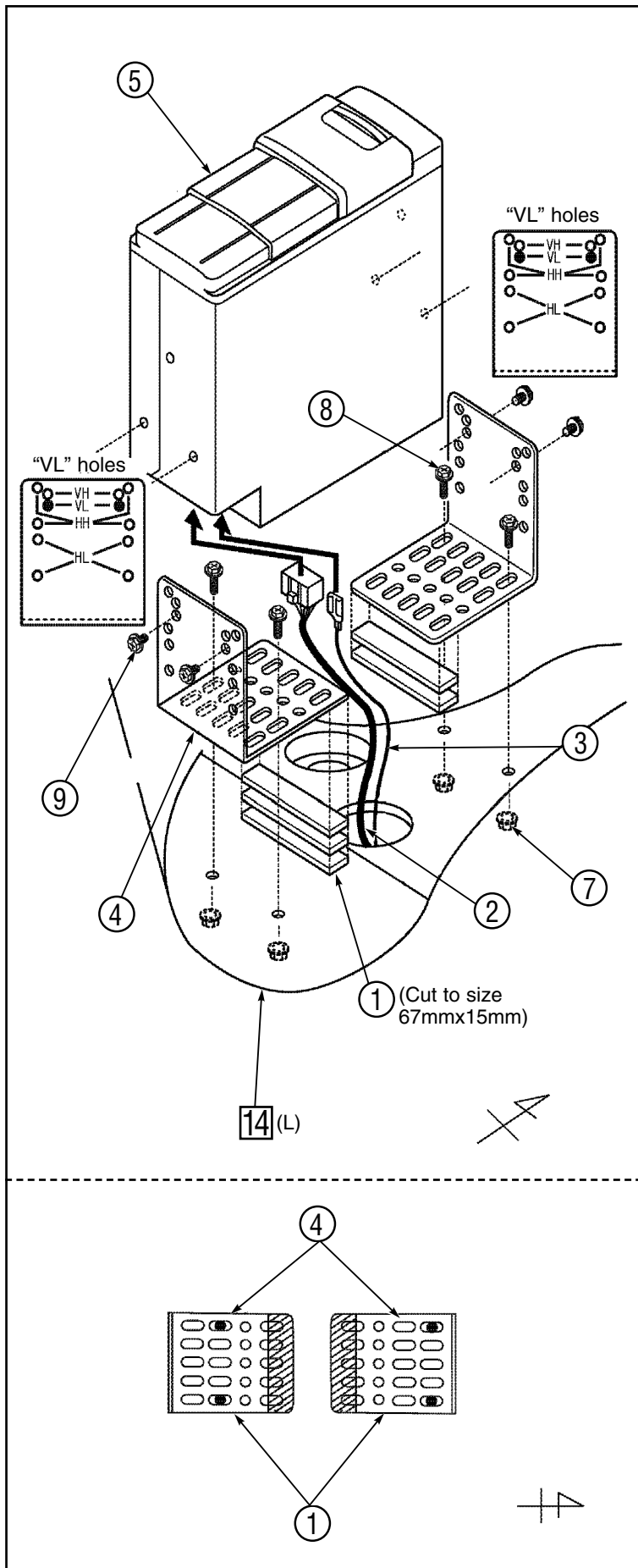
Fig. 14

14. Attach the ground wire ③.
 ⑥: Screw (1x)



15. Make four screw holes of 7mm Ø and one hole of 30mm Ø in the luggage side box 14. Route the changer wire and ground wire through the 30mm Ø hole on the luggage side box 14.

Fig. 15



16. Attach the tapes ① (5x) to the side brackets ④. Attach the side brackets ④ to the luggage side box ⑭ (L). Attach the MD changer ⑤ to the side brackets ④.
- ⑦: Nut (M5) (4x)
 - ⑧: Screw (M5x16) (4x)
 - ⑨: Screw (M5x9) (4x)

Fig. 16

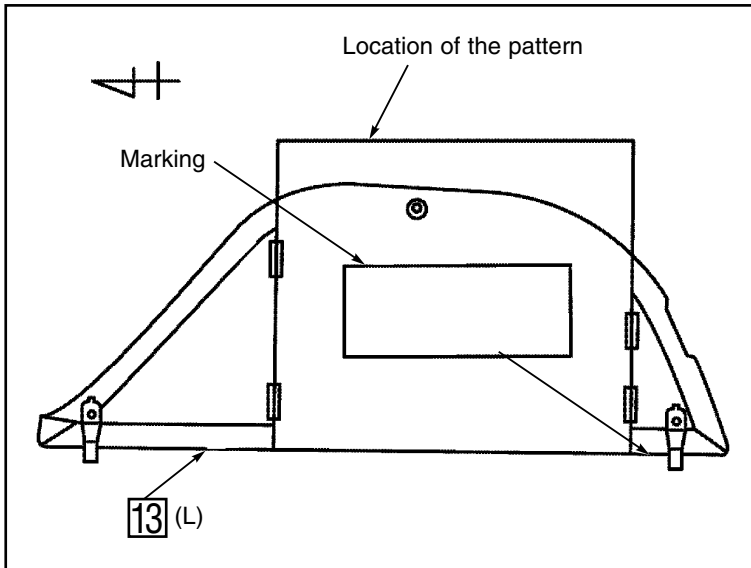


Fig. 17

17. Attach the pattern on the luggage side board 13 (L) and make a marking.

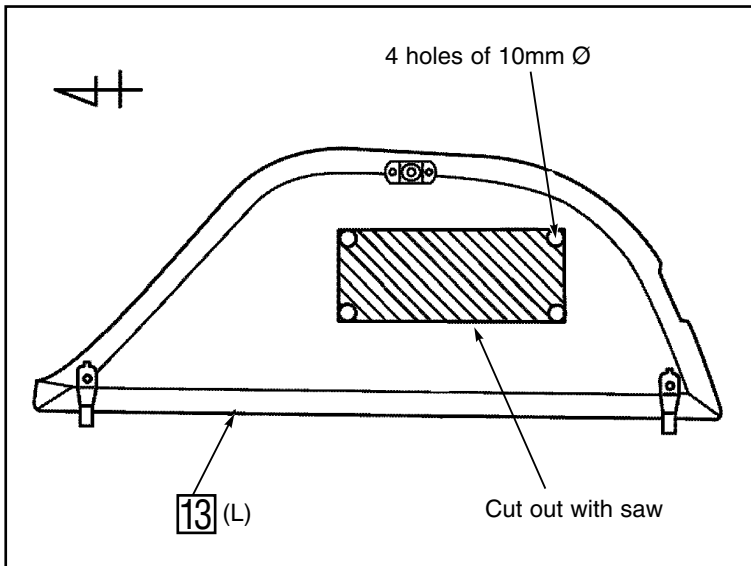


Fig. 18

18. Make four holes of 10mm Ø and cut out the marking with a saw.

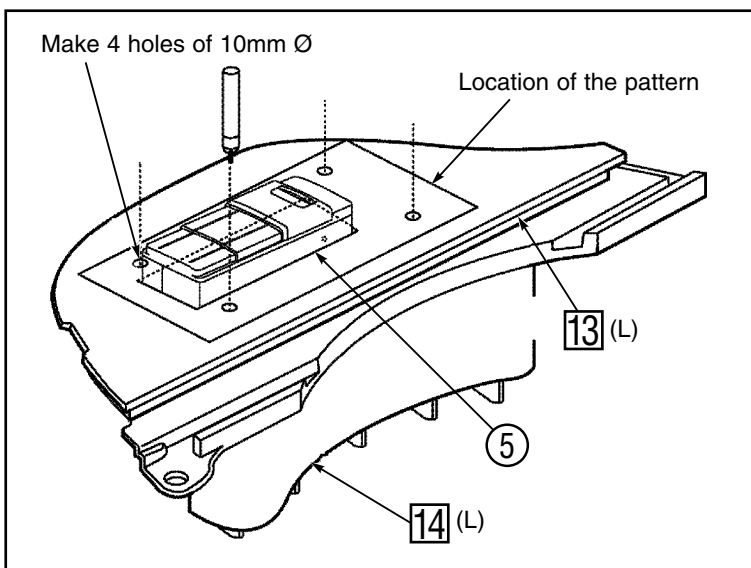


Fig. 19

19. Attach the luggage side board 13 (L) on the luggage side box 14 (L). Attach the pattern on the luggage side board 13 (L). Make four holes of 10mm Ø.

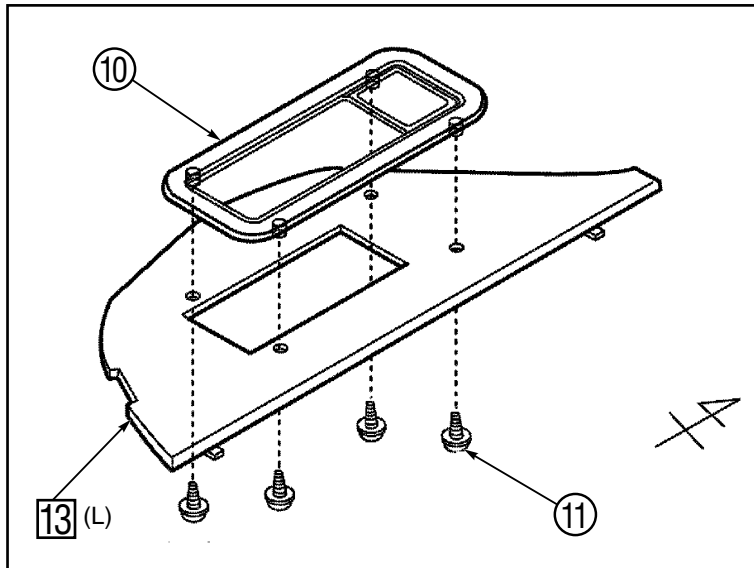


Fig. 20

20. Install the panel ⑩ to the luggage side board ⑬ (L).
 ⑪: Screw (Ø5x10mm) (4x)

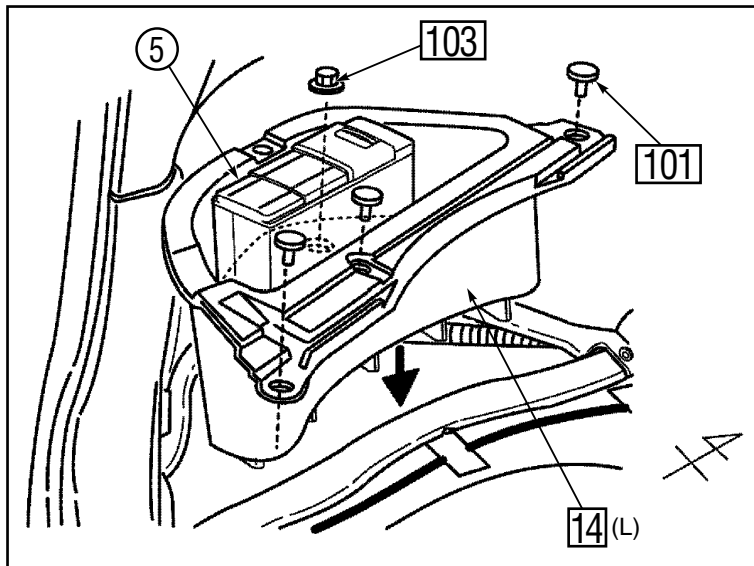


Fig. 21

21. Install the luggage side box ⑭ (L).
 ⑩①: Clip (3x)
 ⑩③: Nut (1x)

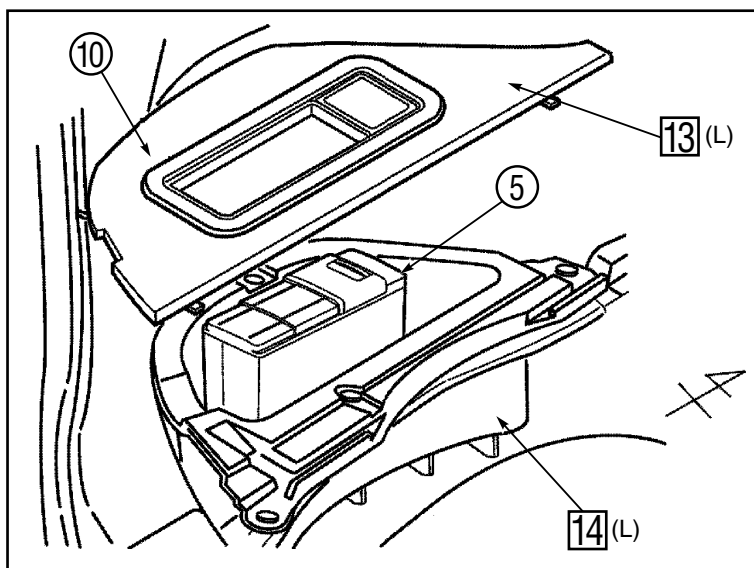


Fig. 22

22. Install the luggage side board ⑬ (L).

Refit the trim and removed parts.

NOTES



A series of horizontal dotted lines spanning the width of the page, providing a template for handwritten notes.

NOTES



A series of horizontal dotted lines spanning the width of the page, providing a template for handwritten notes.

NOTES



A series of horizontal dotted lines spanning the width of the page, providing a space for handwritten notes.

NOTES



A series of horizontal dotted lines spanning the width of the page, providing a template for handwritten notes.

TOYOTA
GENUINE PARTS